

# Jøtul F 305 Series

Jøtul F 305 Series  
Manual Version P01

UK - Installation and operating instructions	4
FR - Manuel d'installation et d'utilisation	32



Jøtul F 305 R B  
Jøtul F 305 B  
Jøtul F 305 C B



Jøtul F 305 R LL  
Jøtul F 305 LL  
Jøtul F 305 C LL

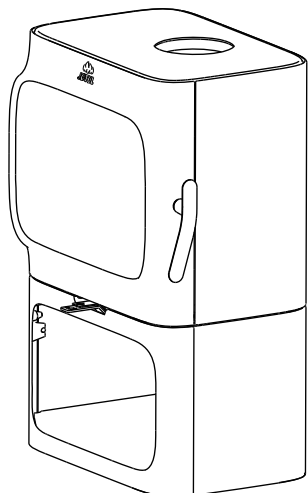


Jøtul F 305 R SL  
Jøtul F 305 SL  
Jøtul F 305 C SL

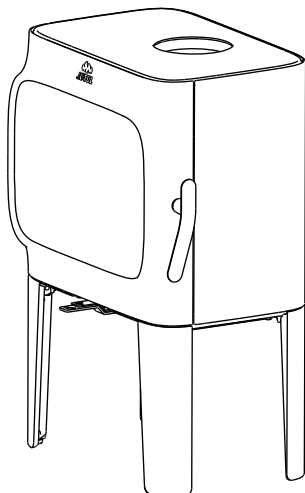


*The manuals which are enclosed with the product must be kept throughout the product's entire service life. Les manuels fournis avec le produit doivent être conservés pendant toute la durée de vie du produit..*

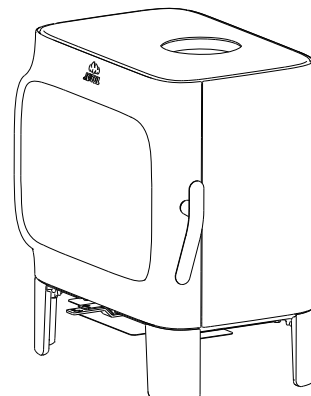
## Jøtul F 305 R



Jøtul F 305 R B

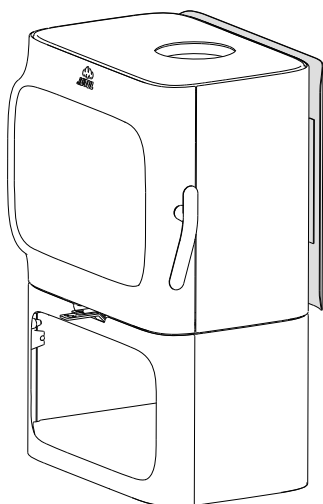


Jøtul F 305 R LL

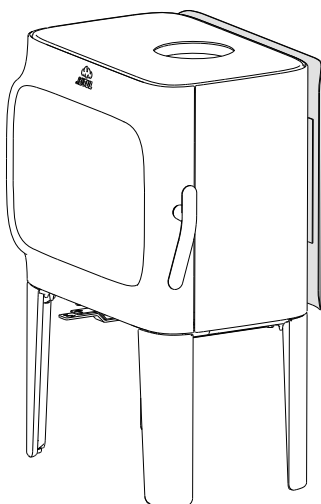


Jøtul F 305 R SL

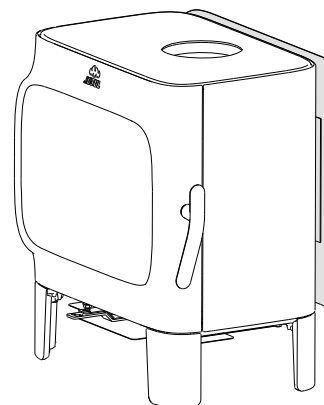
## Jøtul F 305 - incl. steel convection shield



Jøtul F 305 B

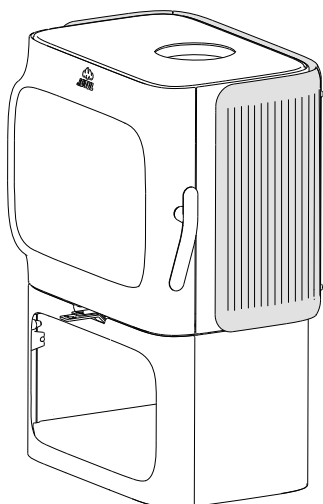


Jøtul F 305 LL

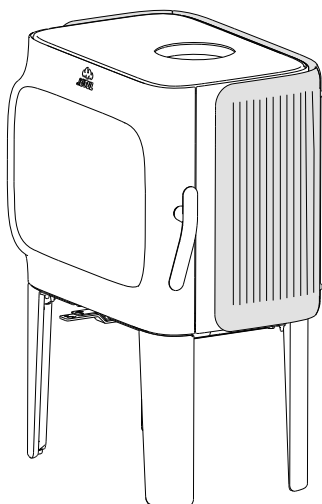


Jøtul F 305 SL

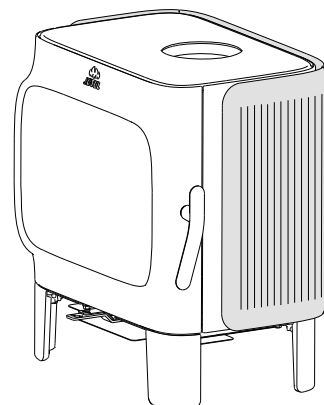
## Jøtul F 305 C - incl. cast iron convection set



Jøtul F 305 C B



Jøtul F 305 C LL



Jøtul F 305 C SL




Requirements / Exigences / Requisitos / Requisiti / Vereisten / Forderungen	
Supplier / Fabricante / Fornitore / Vereisten / Lieferant:	Jøtul AS
Product models Produits concernés Modelos Modelli Product modellen Varianten der Feuerstelle	Jøtul F 305 Series: Jøtul F 305 B, Jøtul F 305 LL, Jøtul F 305 SL Jøtul F 305 R B, Jøtul F 305 R LL, Jøtul F 305 R SL Jøtul F 305C B, Jøtul F 305 C LL, Jøtul F 305 C SL
Energy efficiency class / Classe énergétique / Clase de eficiencia energética / Classe energetica / Energie efficiëncy klasse / Energieeffizienz-Klasse	A
Direct heat output / Puissance réelle de sortie / Potencia calorífica emitida / Emissione di calore diretta / Directe warmte afgifte / Nennwärmeleistung	7,5 kW
Energy efficiency index / Index de rendement énergétique/ Índice de eficiencia energética / Indice di efficienza energetica / Energie efficiëncy index / Energieeffizienz- Index	105,6
Efficiency at nominal heat output / Rendement à puissance nominale / Eficiencia al rendimiento nominal / Efficienza alla potenza nominale / Efficiency bij nominale warmte afgifte / Wirkungsgrad bei Nennheizleistung	79,0 %
<ul style="list-style-type: none"> <li>• Any specific precautions that shall be taken when the local space heater is assembled installed or maintained.</li> <li>• Toutes les précautions spécifiques doivent être prises lors de l'assemblage, l'installation ou l'entretien de l'appareil.</li> <li>• Cualquier precaución específica que deba tenerse en cuenta durante el montaje, instalación o mantenimiento del equipo de calefacción</li> <li>• Precauzioni specifiche da prendere quando il riscaldatore viene assemblato, installato o mantenuto in uno spazio.</li> <li>• Eventuele specifieke voorzorgsmaatregelen die worden genomen wanneer de plaatselijke ruimteverwarming wordt gemonteerd, geïnstalleerd of onderhouden.</li> <li>• Besondere Maßnahmen bei Montierung, Installation und Wartung.</li> </ul>	<ul style="list-style-type: none"> <li>• Fire safety precautions such as safety distances when installing, national standards, local codes and regulations. See the Instructions manual.</li> <li>• Les précautions d'incendie telles que les distances de sécurité lors de l'installation, le suivi des normes, les codes locaux et les réglementations nationales. Veuillez lire le manuel d'installation.</li> <li>• Precauciones frente a incendios como distancia de seguridad en la instalación, estándares nacionales, códigos locales y reglamentos. Lea el manual de instalación.</li> <li>• Precauzioni per la sicurezza antincendio come le distanze di sicurezza durante l'installazione, le normative nazionali e locali. Leggere il manual.</li> <li>• Brandveiligheidsmaatregelen, zoals veiligheidsafstanden bij installatie, nationale normen, lokale codes en voorschriften. Lees de installatiehandleiding.</li> <li>• Für brenntechnische Verhältnisse, wie z.B. Aufstellbedingungen und nationale Forderungen. Siehe die Montage- und Bedienungsanleitung.</li> </ul>

# ENGLISH

## Table of contents

1.0	Technical data .....	4
2.0	Relationship to the authorities.....	4
3.0	Safety .....	5
4.0	Installation .....	19
5.0	Daily Use.....	26
6.0	Maintenance.....	27
7.0	Servicing .....	28
8.0	Optional Extras.....	31
9.0	Recycling.....	31
10.0	Guarantee terms .....	31

Register your fireplace at [jotul.com](http://jotul.com) for a 25-year warranty.

Product: <b>Jotul</b> Room heater fired by solid fuel			
			
Standard Minimum distance to adjacent combustible materials: Minimum distance to adjacent non-combustible materials: Emission of CO in combustion products: Flue gas temperature: Maximum heat output: Efficiency: Operational range: Fuel type: Operational type: The appliance can be used in a shared flue.			
Country	Classification	Certification/standard	Approved by
Norway	Klasse II		
Sweden	SPC	SP	SP-Sveiges Provnings- och forskningsinstitut AB
EUR	Intermittent	EN	EN 13240 National Testing and Research Institute
Follow user's instructions. Use only recommended fuels. Montage- und Bedienungsanleitung beachten. Verwenden Sie nur empfohlenen Brennstoffen. Respectez les consignes d'utilisation. Utilisez uniquement les combustibles recommandés.			
Serial no. Y-xxxx, Year: 200x			
Manufacturer: Jotul AS PCB 1441 NO-1602 Fredrikstad Norway			221546

On all our products there is a label indicating the serial number and year. Write this number in the place indicated in the installation instructions.

Always quote this serial number when contacting your retailer or Jøtul.

Serial no.

## 1.0 Relationship to the authorities

- Installation of a fireplace must be carried out in compliance with national laws and regulations. All local ordinances, including those that refer to national and European standards, must be complied with when products are installed.
- The installation can only be put into use after it has been checked by a qualified inspector.
- Contact your local building authorities before installing a new fireplace.

## 2.0 Technical data

Material:	Cast iron
Finish:	Black paint / enamel
Smoke outlet:	Top, rear
Flue pipe dimension:	Ø 150 mm
Outside air connection:	Alu. flex - Ø 80 / Ø 100 mm

### Product weight:

Burn chamber with long legs:	137 kg
Burn chamber with short legs:	134 kg
Burn chamber with base:	163 kg
Soapstone top:	36 kg
Optional extras	Floorplates, Ash lip, kit for outside air connection, protection grid for sweep ball, short legs, soapstone top

Product dimensions, distances: See **Fig. 1**

### Technical data in acc. with EN 13240

Nominal heat output:	7 kW
Flue gas volume:	7.1 g/s
Chimney draught, EN 13240:	12 Pa
Recommended negative pressure in smoke outlet:	14-16 Pa
Efficiency:	79% @ 7.5 kW
CO emissions (13% O <sub>2</sub> ):	0.06%
CO emissions (13% O <sub>2</sub> ):	786 mg / Nm <sup>3</sup>
NOx at 13% O <sub>2</sub> :	85 mg / Nm <sup>3</sup>
OGC @ 13 % O <sub>2</sub> :	64 mg/Nm <sup>3</sup>
Particle emission NS 3059:	1.5 g / kg
Air consumption:	6,1 litre/sec or 22 m <sup>3</sup> /h
Chimney temperature, EN 13240:	261 °C
Temperature in smoke outlet:	313 °C
Dust:	<7 mg/Nm <sup>3</sup> @13%O <sub>2</sub>

Type of fuel:	Wood
Max. log length:	41 cm
Fuel consumption:	2.25 kg/h
Max. kindling amount:	2.4 kg
Nominal kindling amount:	1.8 kg
Operation:	Intermittent

Intermittent combustion here means normal use of a fireplace, i.e. add more fuel as soon as the fire has burned down to embers.

## 3.0 Safety

**NB! To guarantee optimal performance and safety, Jøtul recommends that its stoves are fitted by a qualified installer (see [www.jotul.com](http://www.jotul.com) for a complete list of dealers).**

Any modifications to the product may result in the product and safety features not functioning as intended. The same applies to the installation of accessories or optional extras not supplied by Jøtul. This may also be the case if parts that are essential to the functioning and safety of the fireplace have been disassembled or removed.

In all these cases, the manufacturer is not responsible or liable for the product and the right to make a complaint becomes null and void.

### The Clean Air Act

#### “The Clean Air Act 1993 and Smoke Control Areas”

Under the Clean Air Act local authorities may declare the whole or part of the district of the authority to be a smoke control area. It is an offence to emit smoke from a chimney of a building, from a furnace or from any fixed boiler if located in a designated smoke control area. It is also an offence to acquire an “unauthorised fuel” for use within a smoke control area unless it is used in an “exempt” appliance (“exempted” from the controls which generally apply in the smoke control area).

In England appliances are exempted by publication on a list by the Secretary of State in accordance with changes made to sections 20 and 21 of the Clean Air Act 1993 by section 15 of the Deregulation Act 2015. Similarly in Scotland appliances are exempted by publication on a list by Scottish Ministers under section 50 of the Regulatory Reform (Scotland) Act 2014.

In Northern Ireland appliances are exempted by publication on a list by the Department of Agriculture, Environment and Rural Affairs under Section 16 of the Environmental Better regulation Act (Northern Ireland) 2016.

In Wales appliances are exempted by regulations made by Welsh Ministers.

Further information on the requirements of the Clean Air Act can be found here: <https://www.gov.uk/smoke-control-area-rules>

Your local authority is responsible for implementing the Clean Air Act 1993 including designation and supervision of smoke control areas and you can contact them for details of Clean Air Act requirements.

**“The Jøtul F 305 Base, Jøtul F305 long Legs and Jøtul F305 Short Legs have been recommended as suitable for use in smoke control areas when burning Wood Logs.”**

### 3.1 Fire Prevention Measures

There is a certain element of danger every time you use your fireplace. The following instructions must therefore be followed:

- The minimum safety distances when installing and using the fireplace are given in **fig. 1**. The specified distance to flammable materials, applies to this stove. The stove must be installed with a CE approved flue. The distance of the flue pipe to combustible materials must also be observed.
- Ensure that furniture and other flammable materials are not too close to the fireplace. Flammable materials should not be placed within 1100 mm of the fireplace.
- Allow the fire to burn out. Never extinguish the flames with water.

- The fireplace becomes hot when lit and may cause burns if touched.
- Only remove ash when the fireplace is cold. Ash can contain hot embers and should therefore be placed in a non-flammable container.
- Ash should be placed outdoors or be emptied in a place where it will not present a potential fire hazard.

#### In case of chimney fire:

- Close all hatches and vents.
- Keep the firebox door closed.
- Check the loft and cellar for smoke.
- Call the fire service.
- Before use after a fire an expert must check the fireplace and the chimney in order to ensure that it is fully functional.

## 3.2 Floor

### Foundation

You need to make sure the foundation is suitable for a fireplace. See “**2.0 Technical Data**” for specified weight.

We recommend the removal of any flooring that is not attached to the foundation (“floating floors”) beneath the installation.

### Short legs

**NB: The short legged versions (Jøtul F 305 R SL, F 305 SL and F 305 C SL) can only be installed on a constructional hearth which must have an extension of minimum 500 mm in front of the stove. For further information please see Approved Document J2010 Section 2.22.**

### Requirements for protection of wooden flooring beneath the fireplace

The product with base has integrated floor protection and may therefore be placed directly on a wooden floor.

**Jøtul F 305 with legs** must have a floorplate below and in front according to national laws and regulations.

**Important!** The space under the burnchamber of Jøtul F 305 with legs cannot be used for storage. **Jøtul recommends that any flooring made of combustible material, such as linoleum, carpets, etc. should be removed from under the floor plate.**

### Requirements for protection of inflammable floors in front of the fireplace

The front plate must comply with national laws and regulations. Contact your local building authorities regarding restrictions and installation requirements.

## 3.3 Walls

**Distance to walls made of combustible material** and to combustible wall protected by firewall:

**Fig. 1c R and 1d R (Jøtul F 305 R)**

**Fig. 1c and 1d (Jøtul F 305)**

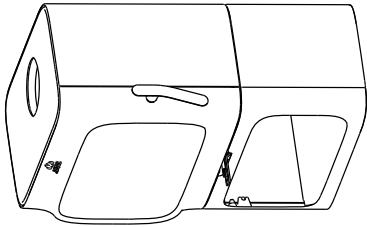
**Fig. 1c C and 1d C (Jøtul F 305 C)**

The fireplace may be used with an uninsulated flue pipe provided the distances between the fireplace and walls made of combustible materials. Alternative distances with shielded or insulated flue pipe are also displayed in **the same figures mentioned above.**

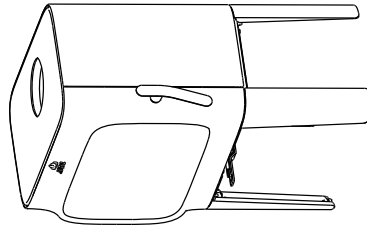
Jøtul F 305 R

Fig. 1a R

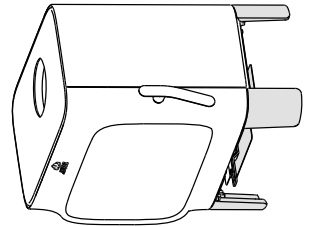
Jøtul F 305 R B (base)



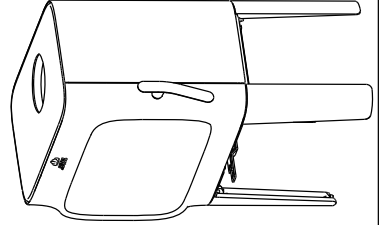
Jøtul F 305 R LL (Long legs)



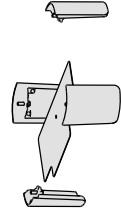
Jøtul F 305 R SL (short legs)



Jøtul F 305 R LL (long legs)



Short legs



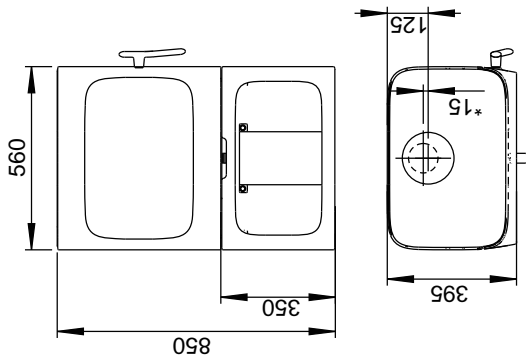
+

=

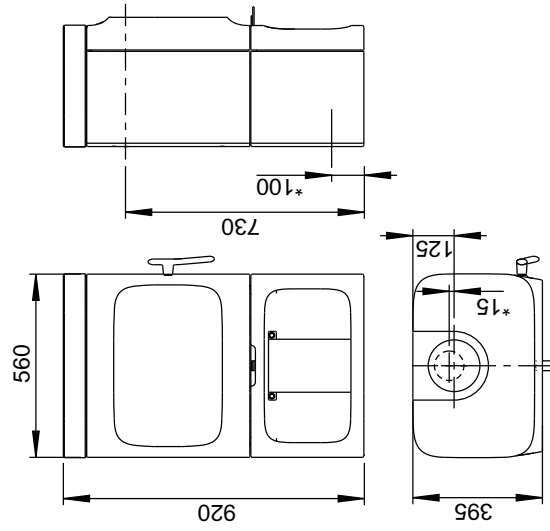
Fig. 1b R

Jøtul F 305 R

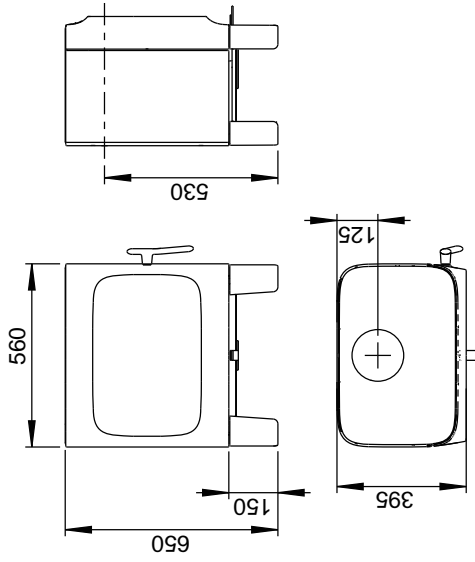
Jøtul F 305 R B (base)



Jøtul F 305 R B (base and soapstone top)



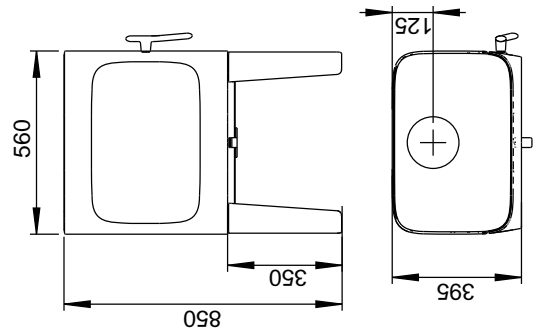
Jøtul F 305 R SL (short legs)



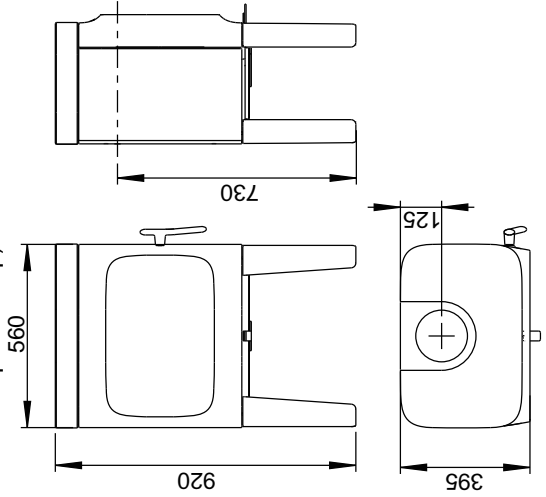
NB: The short legged version (F 305 SL) can only be installed on a constructional hearth which must have an extension of minimum 500 mm in front of the stove. For further information please see Approved Document J2010 Section 2.22.

\*Outside air connection

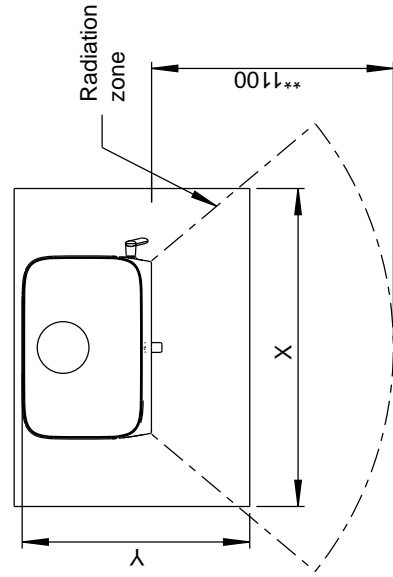
Jøtul F 305 R LL (long legs)



Jøtul F 305 R LL (long legs and soapstone top)



Floor plate



Min. measurements floorplate

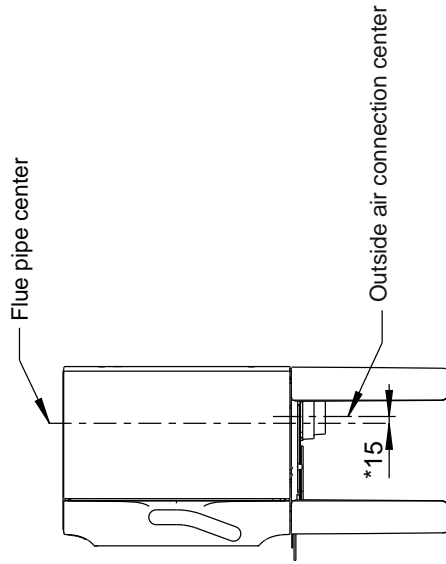
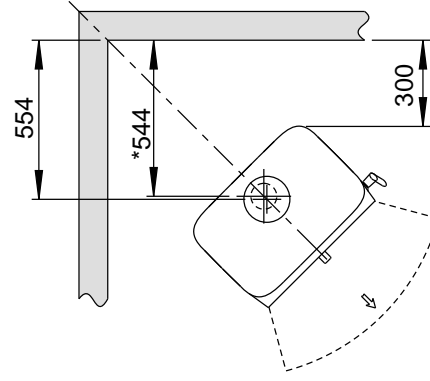
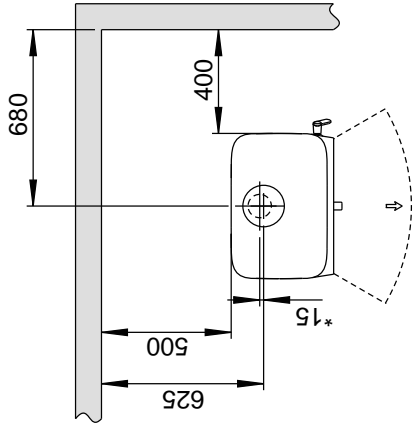
X / Y= According to national laws and regulations  
 \*\* Min. distance to furniture / combustible material

Jøtul F 305 R

Fig. 1c R

Combustible wall

Min. distance to combustible wall



\* Outside air connection

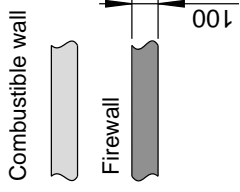
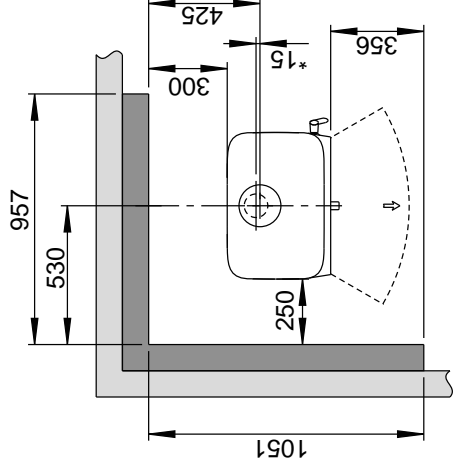
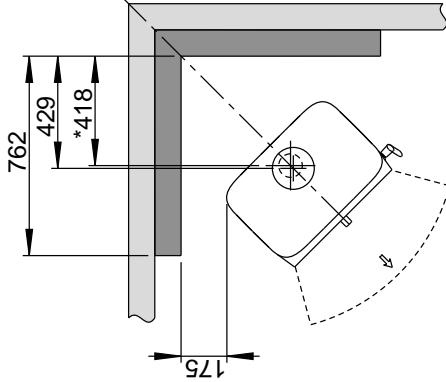
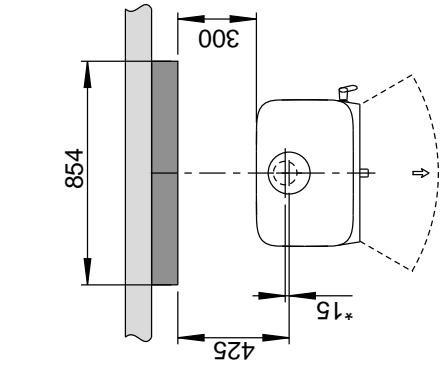


Fig. 1d R

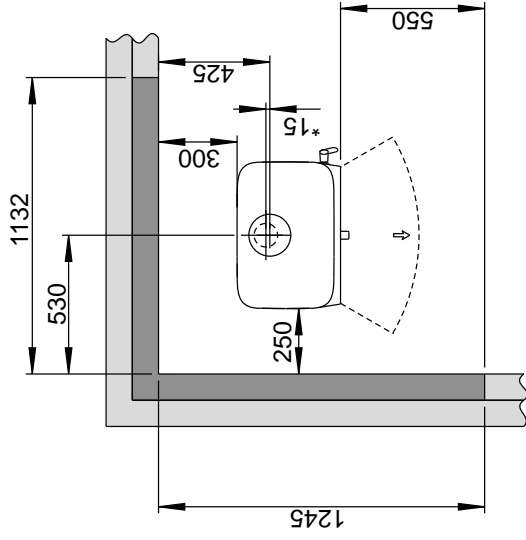
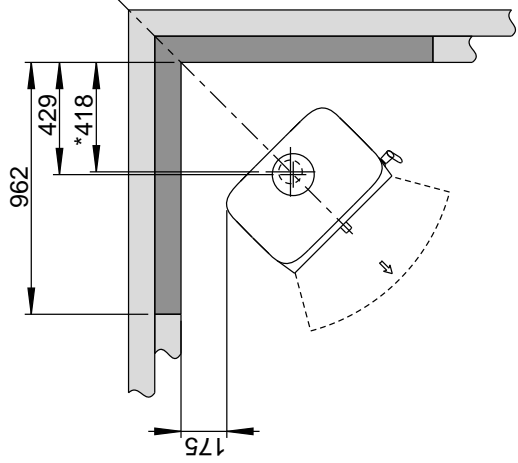
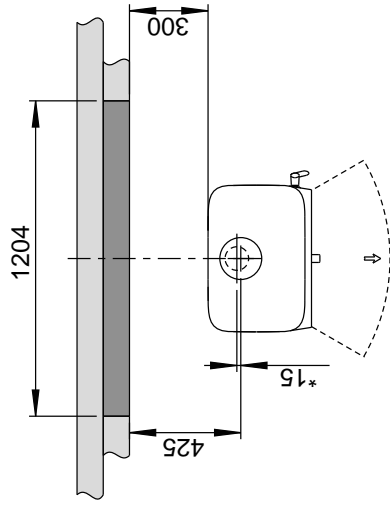
Jøtul F 305 R

Min. distance to combustible wall protected by firewall

External



Integrated



\*Outside air connection

900194-P00

**Jøtul F 305**

Fig. 1a

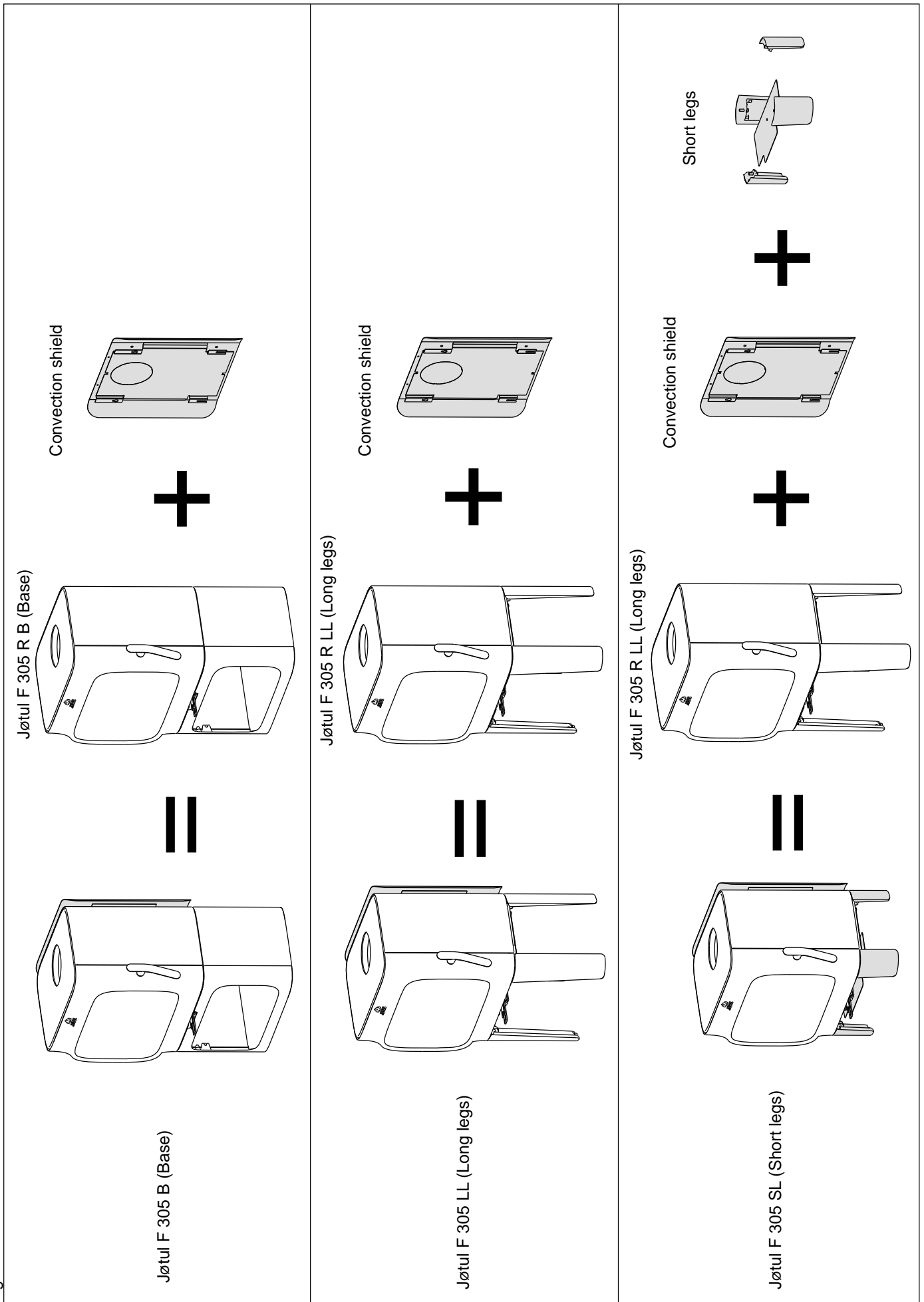
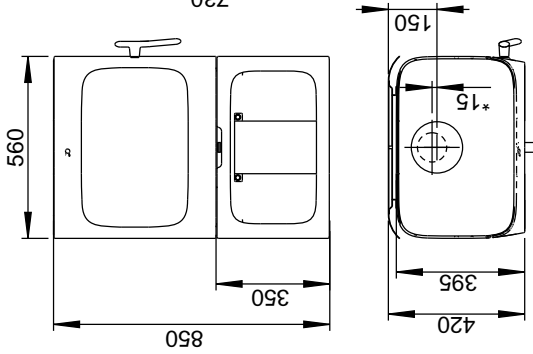


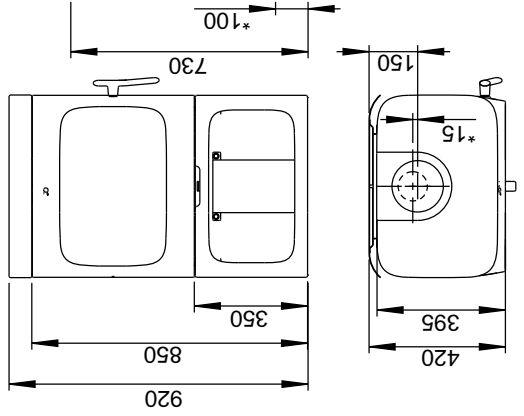
Fig. 1b

**Jøtul F 305**

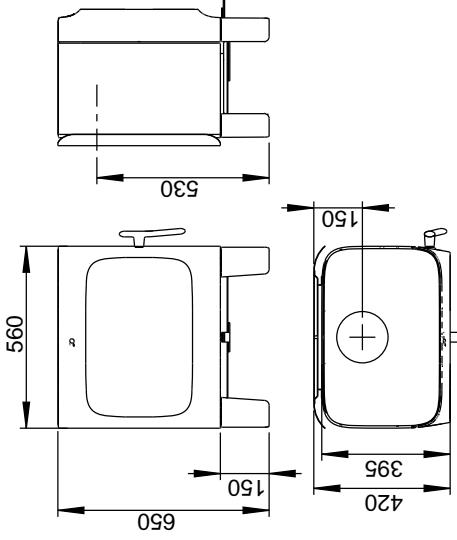
Jøtul F 305 B (base)



Jøtul F 305 B (base and soapstone top)



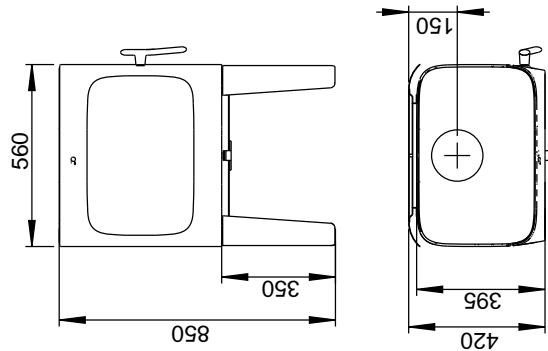
Jøtul F 305 SL (short legs)



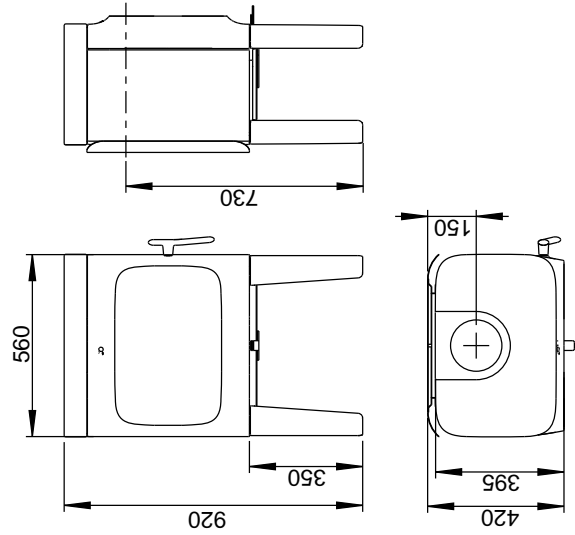
\* Outside air connection

NB: The short legged version (Jøtul F 305 SL) can only be installed on a constructional hearth which must have an extension of minimum 500 mm in front of the stove. For further information please see: **Approved Document J2010 Section 2.22.**

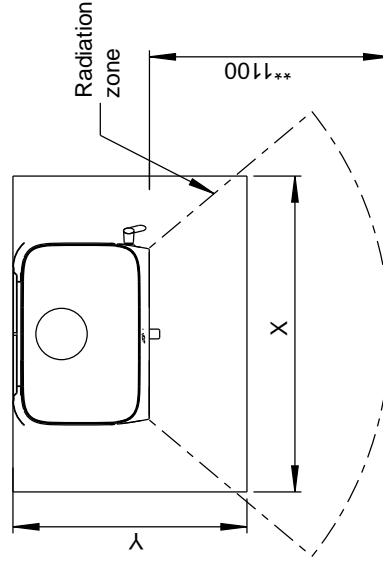
Jøtul F 305 LL (Long legs)



Jøtul F 305 LL (Long legs and soapstone top)



Floor plate

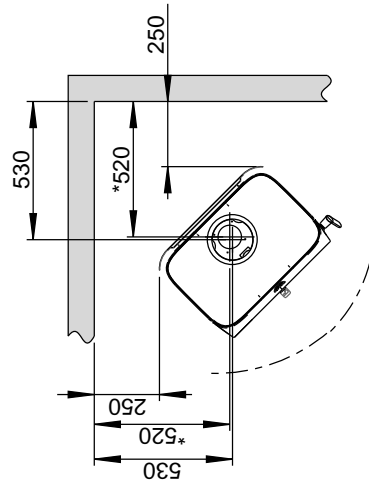
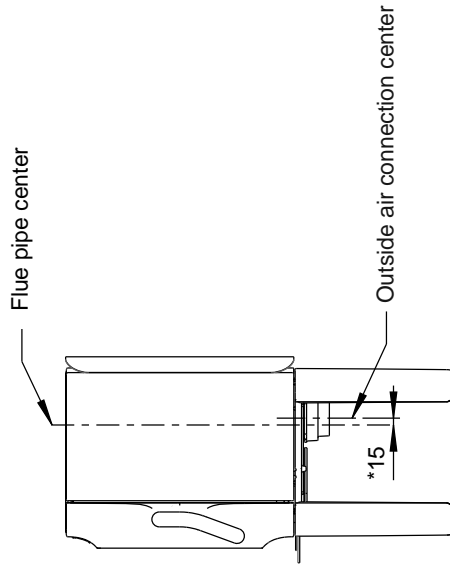
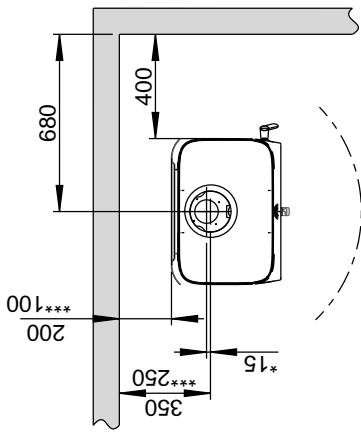


Min. measurements floorplate  
 X / Y= According to national laws and regulations  
 \*\* Min. distance to furniture / combustible material

Jøtul F 305

Min. distance to combustible wall

With standard convection shield



\* Outside air connection

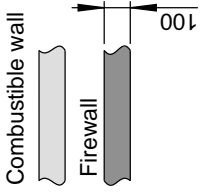
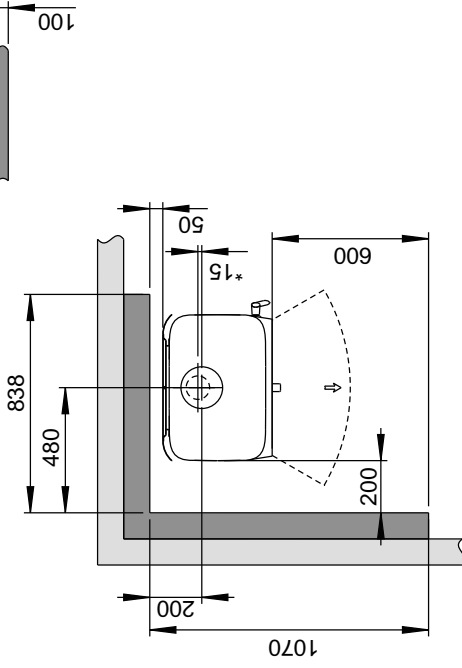
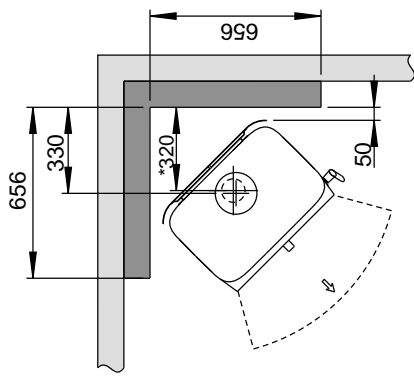
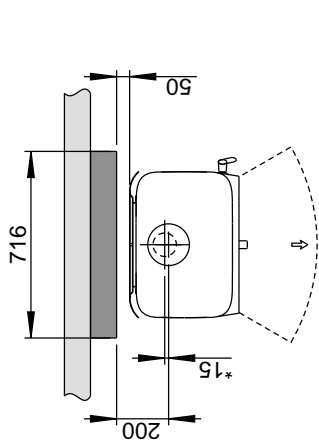
\*\*\* Distance to combustible wall with semi-insulated / shielded flue pipe.

Jøtul F 305

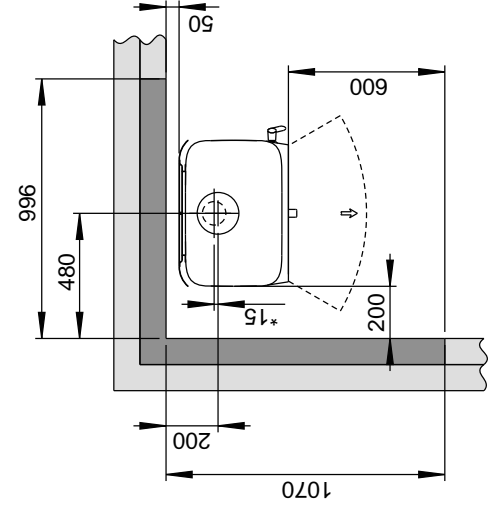
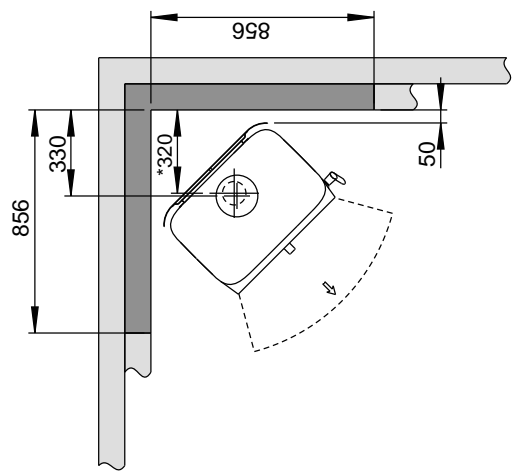
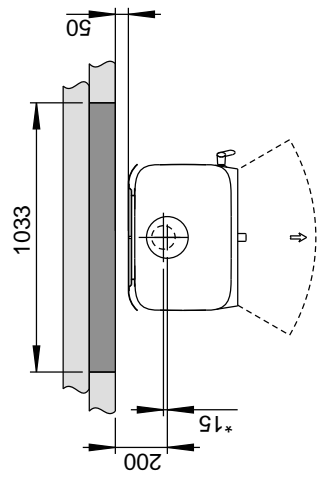
Fig. 1d

Min. distance to combustible wall protected by firewall

External



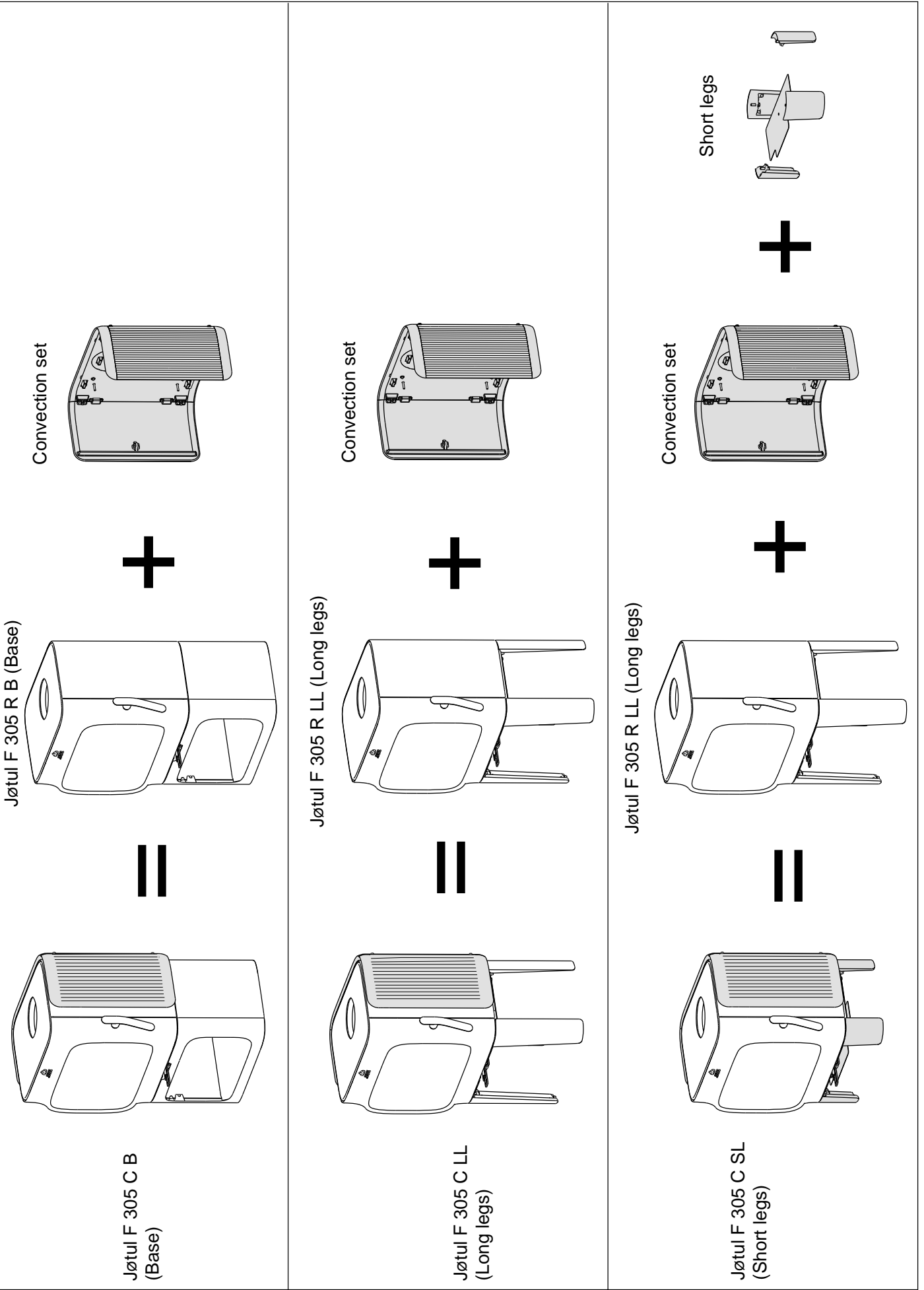
Integrated



\* Outside air connection

Fig. 1a C

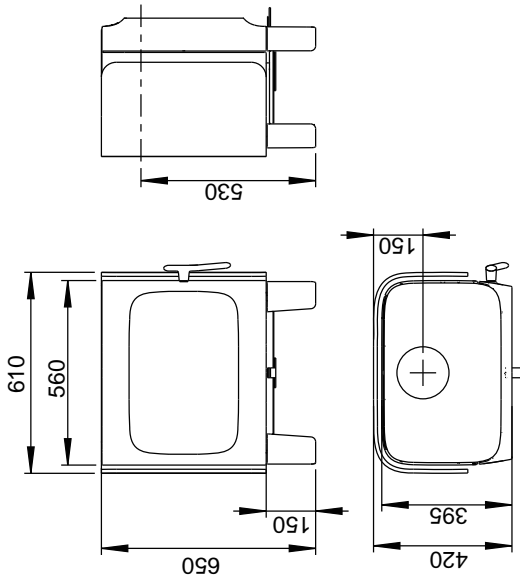
**Jøtul F 305 C**



Jøtul F 305 C

Fig. 1b C

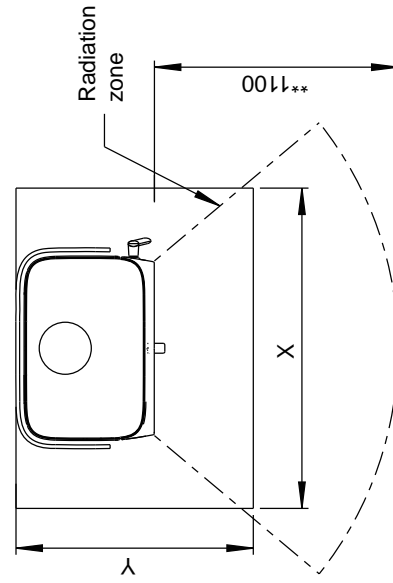
Jøtul F 305 C SL (short legs)



NB: The short legged version (F 305 C SL) can only be installed on a constructional hearth which must have an extension of minimum 500 mm in front of the stove.

For further information please see Approved Document J2010 Section 2.22.

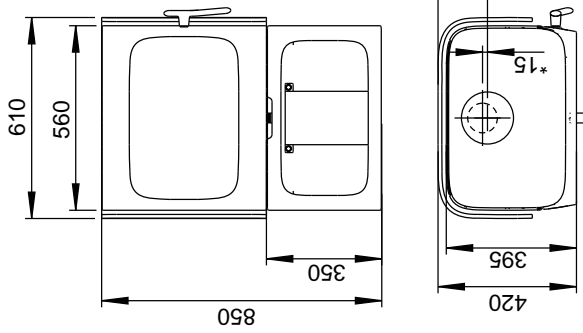
Floorplate



Min. measurements floorplate  
 X / Y= According to national laws and regulations  
 \*\* Min. distance to furniture / combustible material

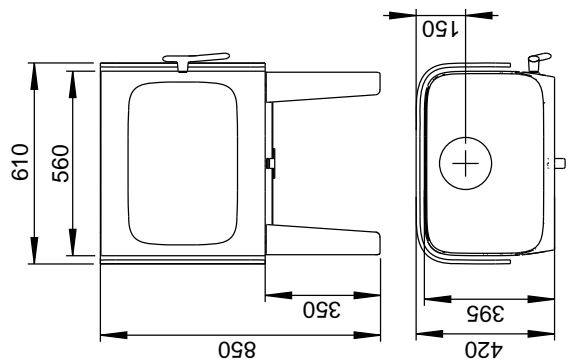
900195-P00

Jøtul F 305 C B (base)



\* Outside air connection

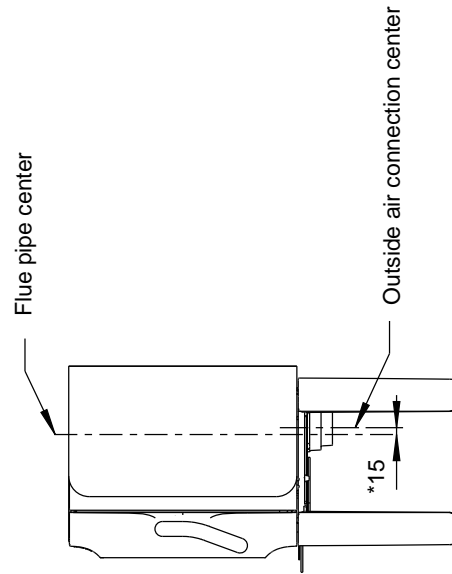
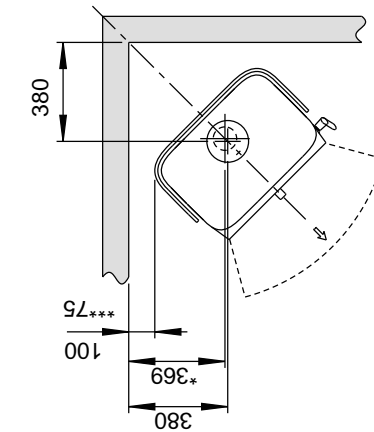
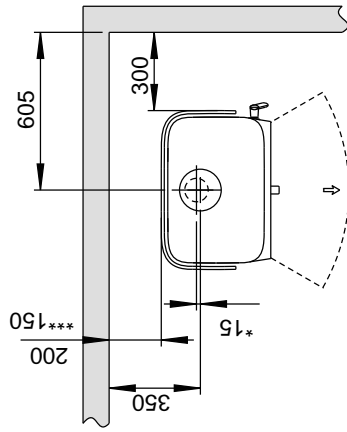
Jøtul F 305 C LL (long legs)



Jøtul F 305 C

Fig. 1c C

Min. distance to combustible wall



\* Outside air connection

\*\*\* Distance to combustible wall with semi-insulated / shielded flue pipe.

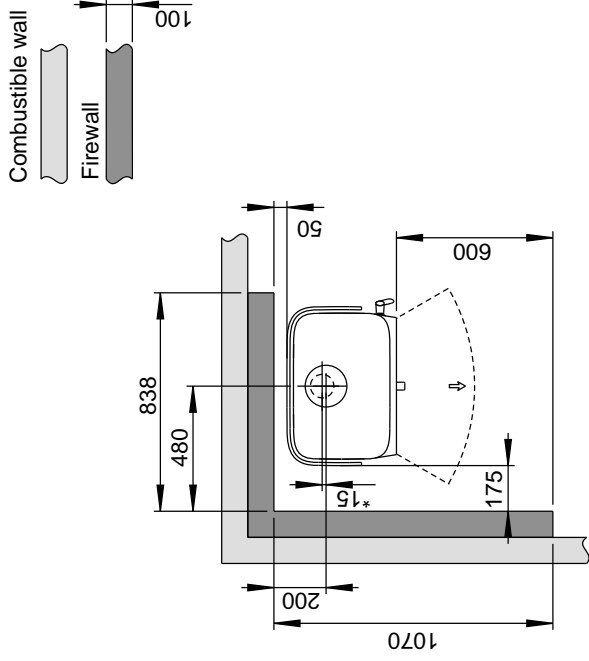
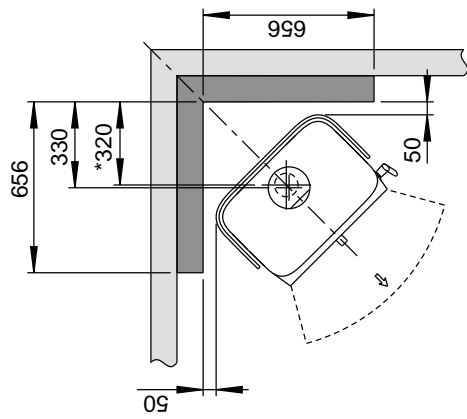
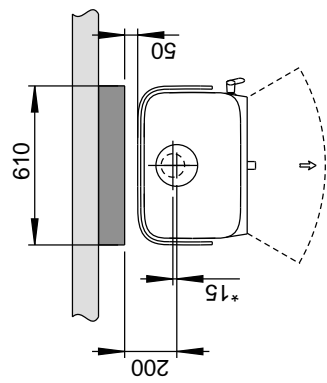


Fig. 1d C

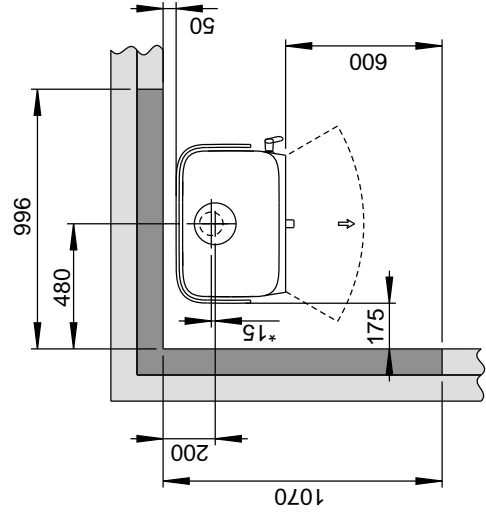
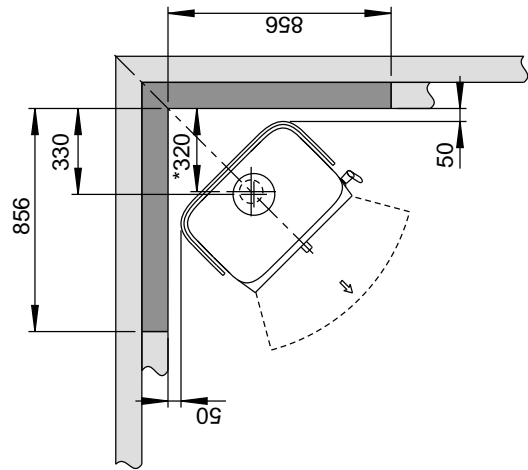
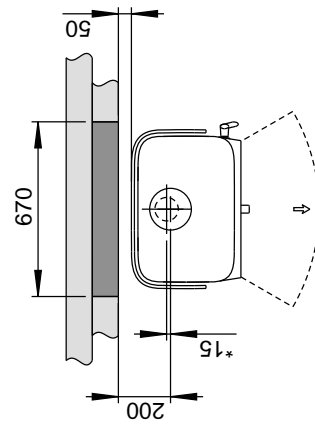
Jøtul F 305 C

Min. distance to combustible wall protected by firewall

External



Integrated



\*Outside air connection

900195-P00

# ENGLISH

**Note! Ensure that furniture and other flammable materials are not too close to the fireplace. Flammable materials should not be placed within 1100 mm of the fireplace.**

## Fresh air supply

The air used for combustion in any well-insulated house needs to be replaced. This is particularly important in houses with mechanical ventilation. Such replacement air can be procured in several ways. The most important thing is to supply the air to the room where the stove is placed. Place the outside wall valve as close to the stove as possible and make sure that it can be closed when the stove is not in use.

For the fresh air supply connection, follow the national and local building regulations.

**Important!** Ensure that air vents in the room where the fireplace is located are not blocked.

## Closed combustion system

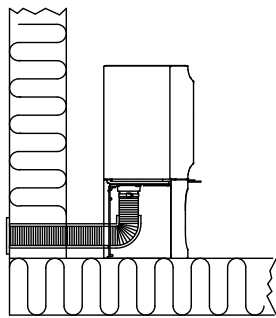
Use the stove's closed combustion system if you live in recently built, airtight dwellings. Connect the external combustion air through a ventilation pipe through the wall or the floor.

## Air supply

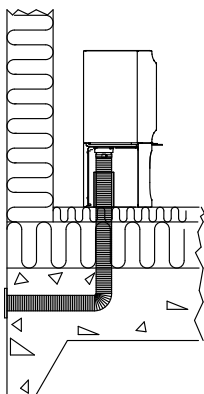
The amount of combustion air for Jøtul's products is approximately 20-40 m<sup>3</sup>/h. The outside air connection may be fitted directly to the Jøtul F 305 through:

- the bottom
- through a flexible supply hose from the outside/chimney (only if the chimney has its own duct for external air) and to the product's outside air connector.

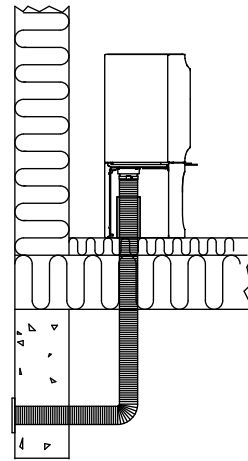
**Fig. 2A**, through an outside wall



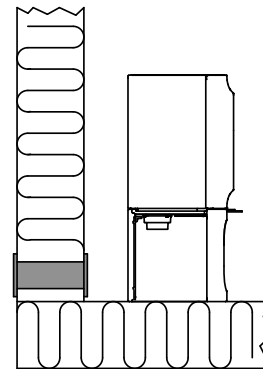
**Fig. 2B**, through the floor and ground plate



**Fig. 2C**, through the floor and basement



**Fig. 2D**, indirectly through an outside wall



## 4.0 Installation

**NB:** Check that the fireplace is undamaged before installation begins.

**NB:** The product is heavy! Ensure you have help when positioning and installing it. Make sure the product does not topple over.

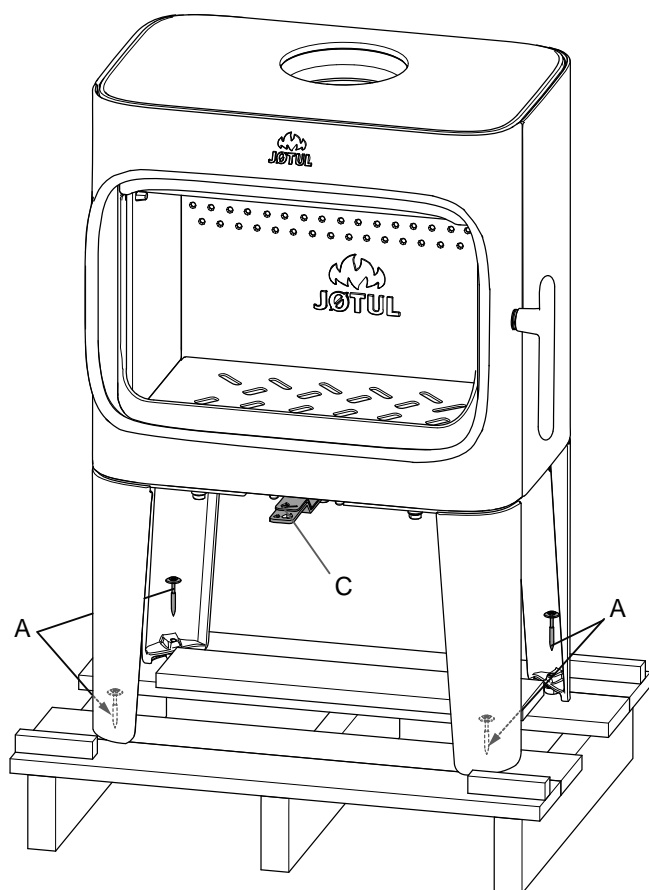
**NB:** Make sure that furniture and other household items are not so close as to get dried up by the stove. Painted surfaces may also be discoloured.

**NB:** Read the Installation and Operating instructions carefully before installing the fireplace!

### 4.1 Prior to installation - Jøtul F 305 with legs

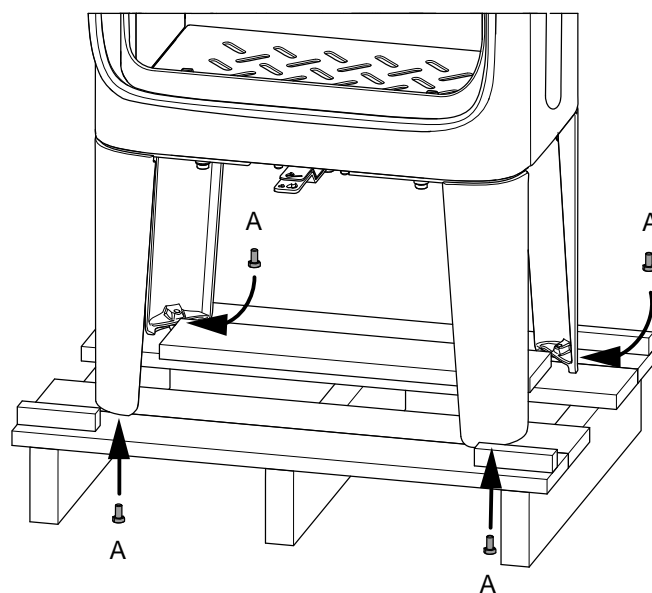
**NB:** There are two different legs. See the figure (fig. 6) on the bottom plate for correct placement.

Fig. 3



1. Remove the four transport screws (A) that fasten the oven to the wooden pallet.
2. Leave the stove standing on the transport pallet.
3. Remove the gloves from the ash pan.
4. Lift the baffle, ash retainer, inner bottom and bag of screws out of the burn chamber.
5. Check that the control handles (C) move freely.

Fig. 4

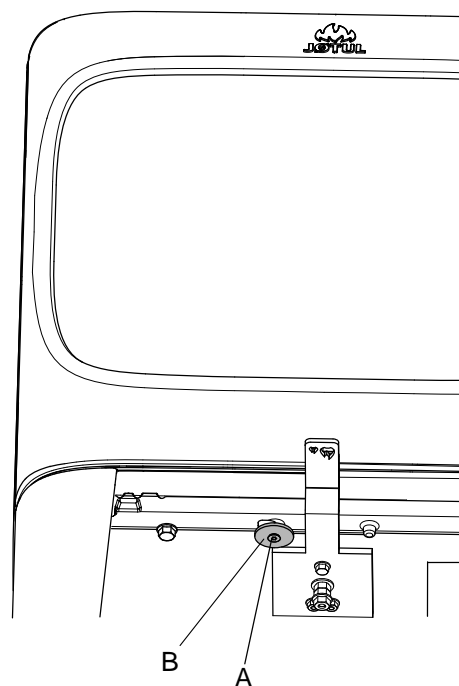


6. Install the height adjustment screws with plastic caps (A) placed in the bag of screws.
7. Lift the oven from the pallet.
8. Set up the oven and adjust to the right height using the height adjustment screws. **NB:** Take into account the height of the floor plate. **Mark on the wall if there has to be a rear outlet for flue pipe and external air supply.**

### Requirement for UK

"The Jøtul F 305 BB, LL, & SL stoves have been recommended as suitable for use in smoke control areas when burning wood logs and when fitted with a mechanical stop to prevent secondary air control closure beyond the 257mm<sup>2</sup> and the tertiary air control closure beyond the 370mm<sup>2</sup> open positions." **Note!** In order to achieve this see the instructions in fig. 5.

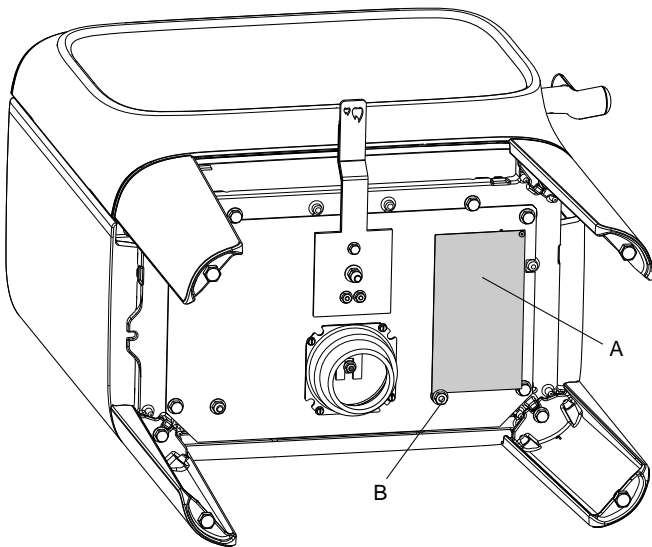
Fig. 5



9. Unscrew the screw (A). Use the washer (B) from the bag of screws and screw it onto the burnchamber with the same screw.

# ENGLISH

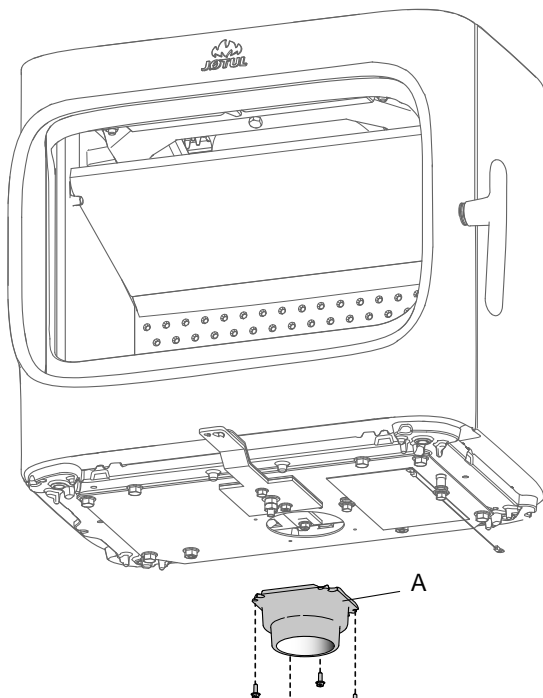
Fig. 6



1. Take the approval label (A) out of the ash pan and fasten it with the nut (B), as displayed. The nut needs to be tightened only with the fingers. **NB: Do not cut off the wire used for fastening the label.**

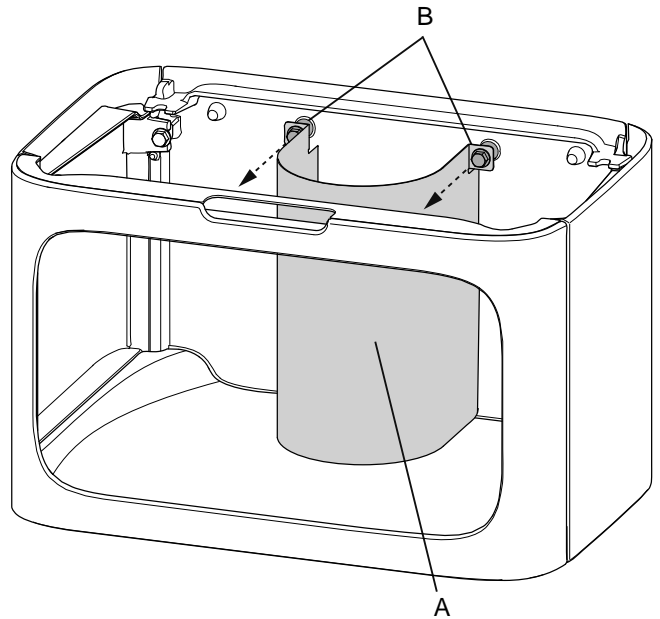
## 4.2 Prior to installation - Jøtul F 305 with base

Fig. 7



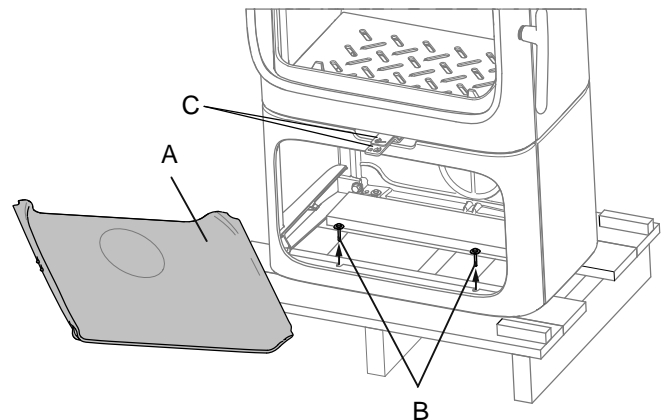
2. If external air supply is not used, the external air connector (A) can be unscrewed, if desired. Remove the four screws used for fastening the external air connector and then the connector itself. (For products with base: If necessary, you can unscrew the heat shield beneath the burn chamber in order to facilitate the dismantling of the external air connector.

Fig. 8



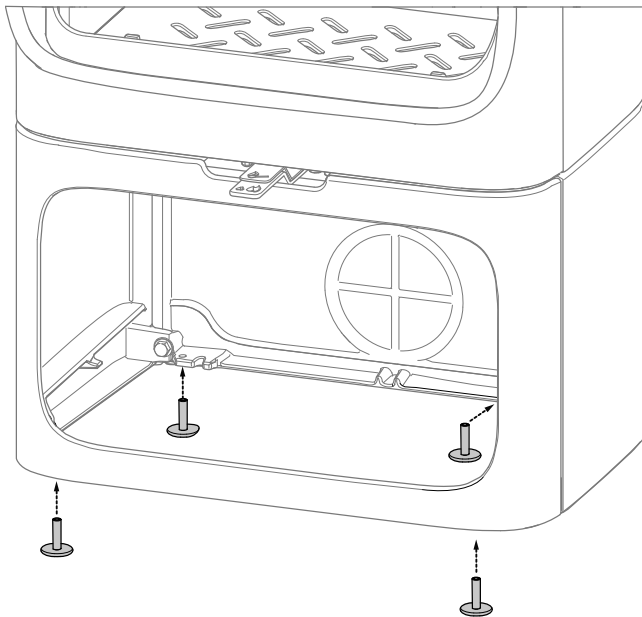
1. First remove the outside air cover (A) by unscrewing the screws (B).

Fig. 9



2. Remove the gloves from the ash pan.
3. Lift the baffle, ash retainer, and bag of screws out of the burn chamber.
4. Check that the control handles (C) move freely.
5. Remove the bottom plate (A) by taking hold of the front left corner. Lift up the plate and remove it from the base at an angle.
6. Remove the four transport screws (B) that fasten the oven to the wooden pallet.
7. Lift the oven from the pallet and set it up (see fig. 1).

Fig. 10

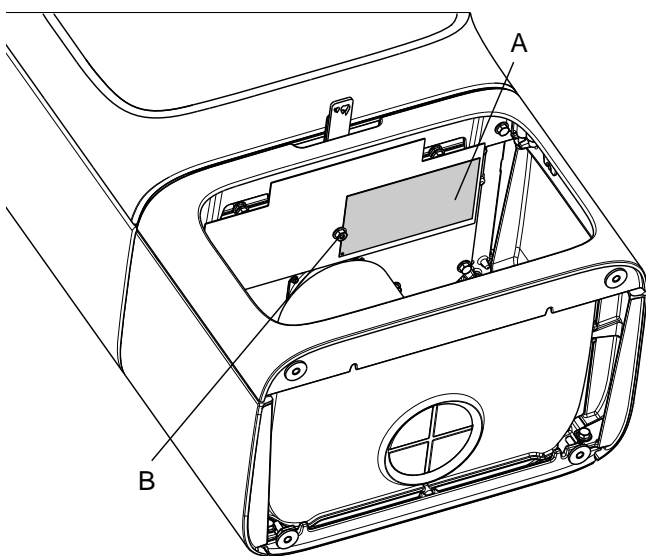


8. Adjust the base with the height adjustment screws using the hex key placed in the bag of screws. **NB! Take into account the height of the floor plate.**
9. Mark on the wall if there has to be a rear outlet for flue pipe and external air supply (see **fig. 1**). If there has to be a rear outlet for flue pipe and/or external air supply, move the oven from the wall and prepare the connections.

## Approval label

Jøtul F 305 with base

Fig. 11

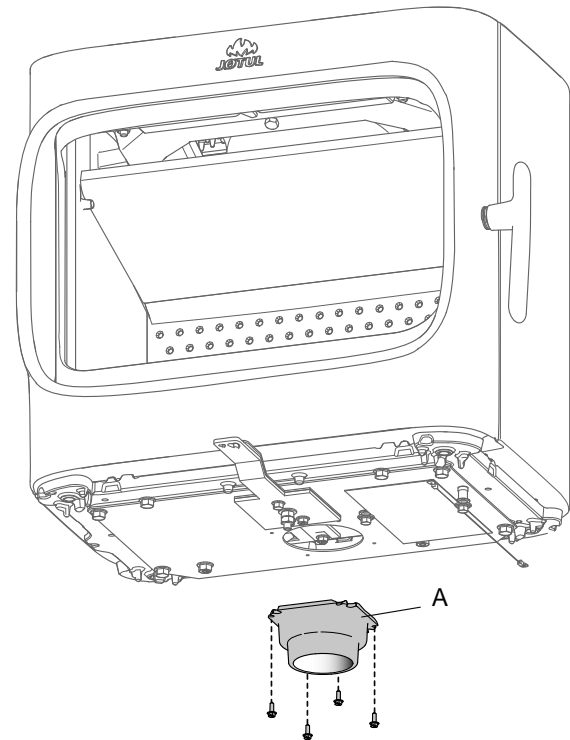


1. Take the approval label (A) out of the ash pan and fasten it with the nut (B), as displayed. The nut needs to be tightened only with the fingers. **NB: Do not cut off the wire used for fastening the label.**

## 4.3 Outside air connection

If external air supply is not used

Fig. 12

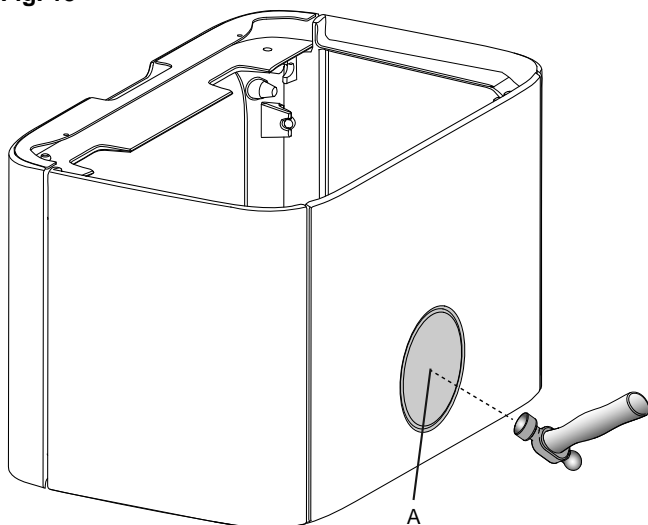


2. If external air supply is not used, the external air connector (A) can be unscrewed, if desired. Remove the four screws used for fastening the external air connector and then the connector itself. **(For products with base:** If necessary, you can unscrew the heat shield beneath the burn chamber in order to facilitate the dismantling of the external air connector.
3. Install the convection plate back in its place after removing the external air connector.

# ENGLISH

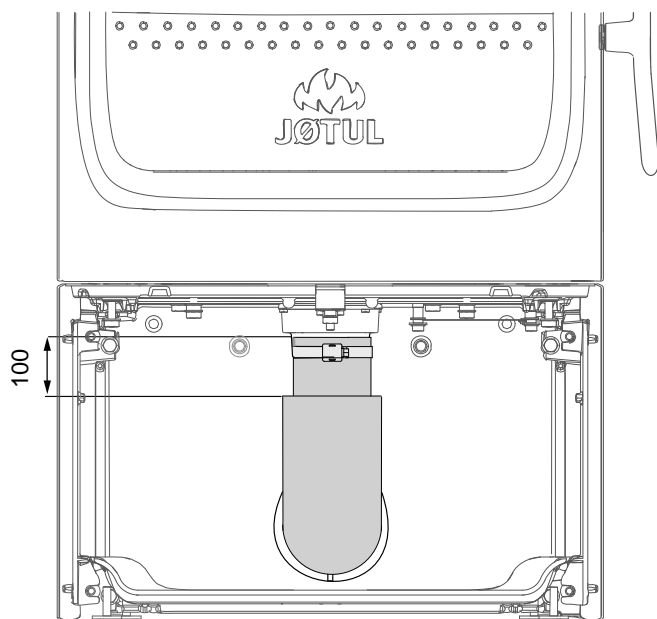
## Outside air connection through bottom plate in base

Fig. 13



1. Place a cardboard plate on the back of the bottom plate before knocking out the cover (A) with a hammer in order to prevent the pieces from damaging something around them.

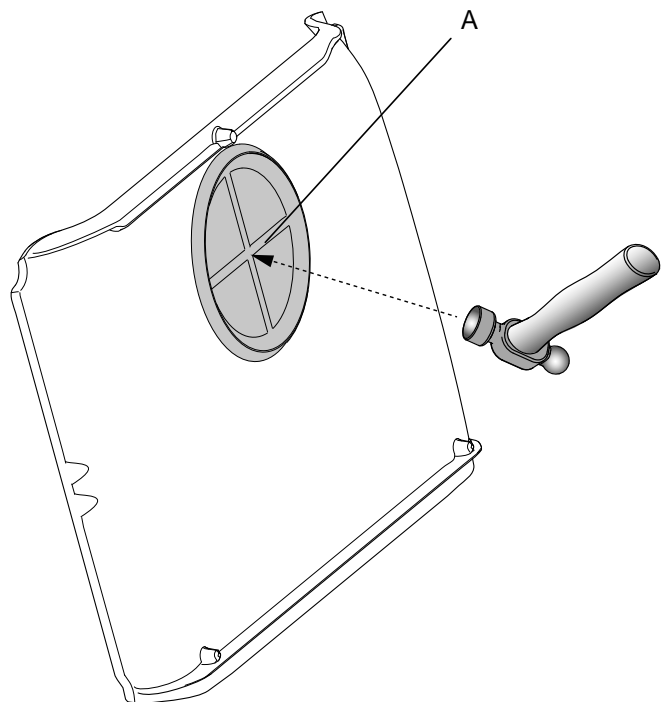
Fig. 14



2. See the installation instructions that follow with the external air set.
3. Attach the hose to the external air connector with a hose clip to avoid using joints. The external air hose insulation ends approx. **100 mm** below the burn chamber.

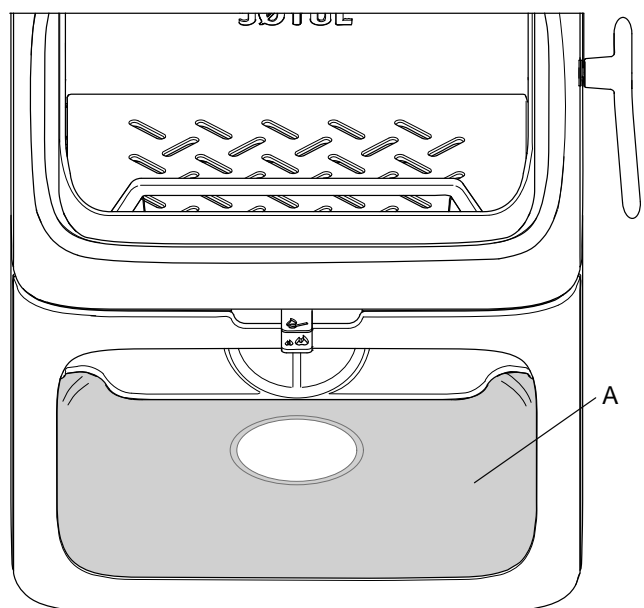
## Outside air connection through bottom plate in base

Fig. 15



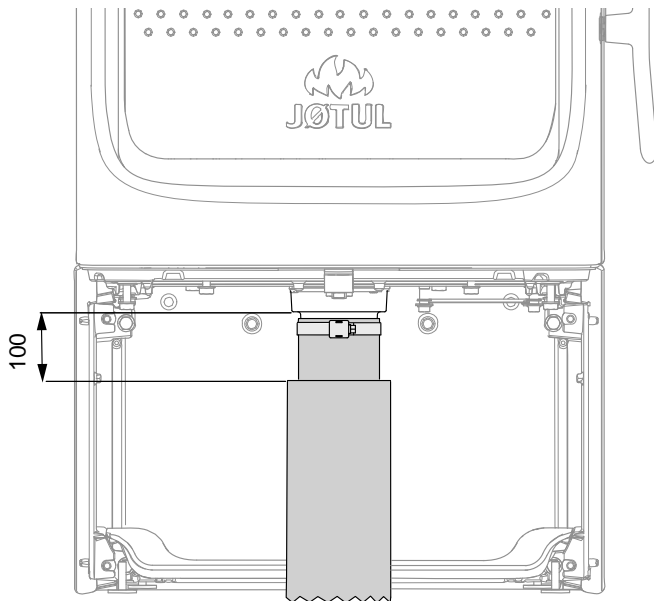
1. Place a cardboard plate on the back of the bottom plate before knocking out the cover (A) with a hammer in order to prevent the pieces from damaging something around them.

Fig. 16



2. Position the bottom plate in place again.
3. Place the oven in the position where it is supposed to be. See **fig. 1** for correct placement when it comes to safety distances.

Fig. 17



4. See the installation instructions that follow with the external air set.
5. Attach the hose to the external air connector with a hose clip to avoid using joints. The external air hose insulation ends approx. **100 mm below** the burn chamber.

### 4.3 Chimney and flue pipe

- The fireplace must only be connected to a chimney and flue pipe approved for solid fuel fireplaces with flue gas temperatures as specified in «**2.0 Technical Data**».
- The cross-section of the chimney must be designed to fit the fireplace. Use «**2.0 Technical Data**» to calculate the correct chimney cross-section.
- The chimney must be connected in accordance with the installation instructions of the chimney supplier.
- Before a hole is made in the chimney, the product should be test-mounted in order to correctly mark the position of the fireplace and the hole in the chimney. See **fig. 1** for minimum dimensions.
- With a rear outlet, use a flue pipe bend with a sweep hatch to allow sweeping.
- Please note that it is extremely important for connections to have a degree of flexibility. This is to prevent any movement in the installation leading to the formation of cracks.
- For recommended chimney draught, see «**2.0 Technical Data**». For flue pipe dimension see “**2.0 Technical Data**”.  
**NB: The chimney’s diameter must be at least just as big as the flue pipe.**

**NB!** The minimum recommended chimney length is 3.5 m from the flue pipe insert. If the draught is too strong, a flue pipe damper can be installed and used to reduce the draught.

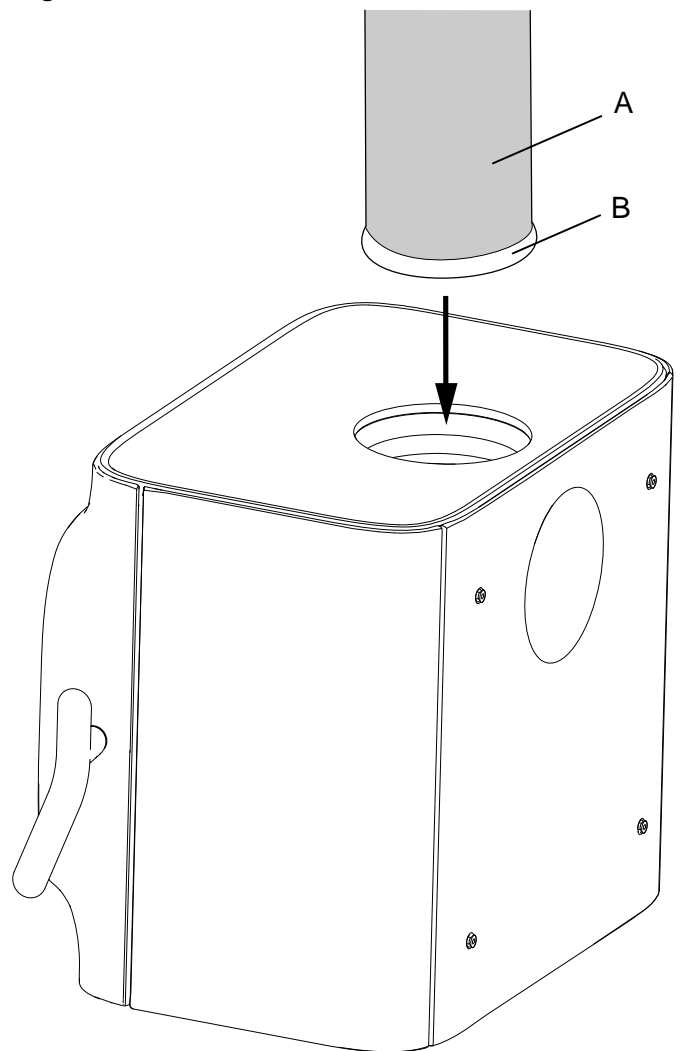
### Protection grid for sweep ball

When a steel chimney is installed to the top outlet, a protection grid for sweep ball must always be installed to the top outlet (optional equipment).

### 4.5 Fitting a flue pipe with a top outlet

The product is supplied from the factory with the smoke outlet fitted for the top outlet.

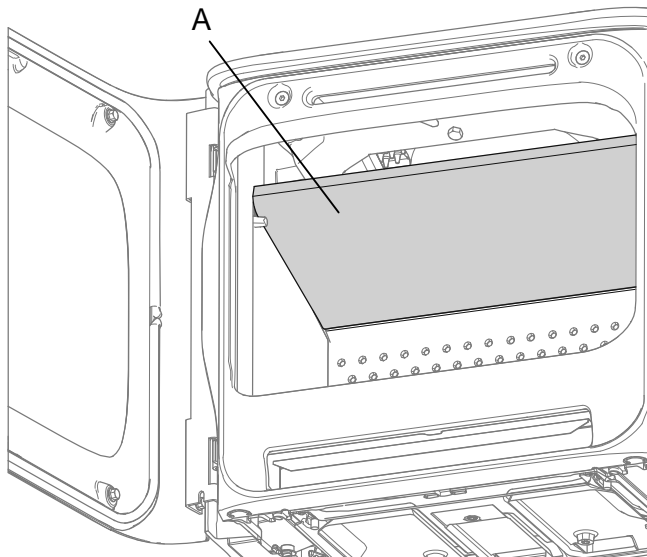
Fig. 18



1. Thread the flue pipe (**A**) through the top plate and place it in the top smoke outlet.
2. Seal well with a gasket (**B**).

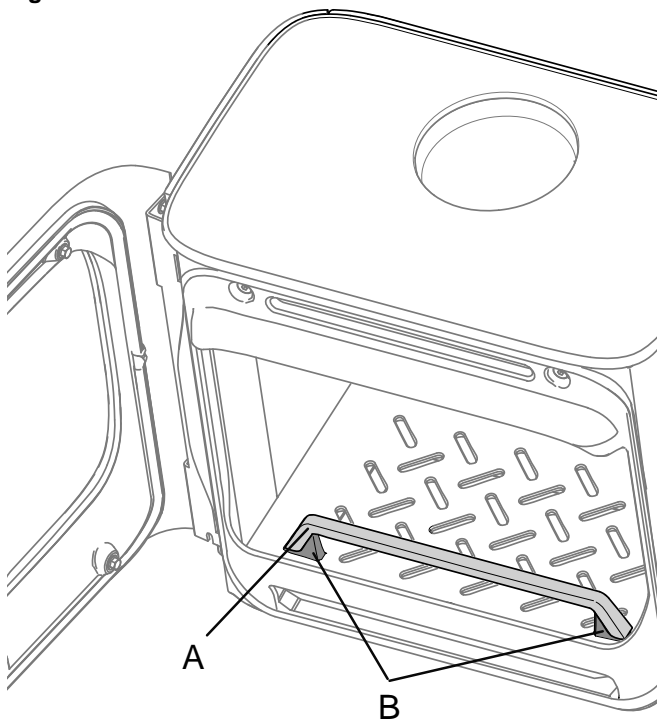
# ENGLISH

Fig. 19



3. Place the baffle (A) as displayed in the figure.

Fig. 20

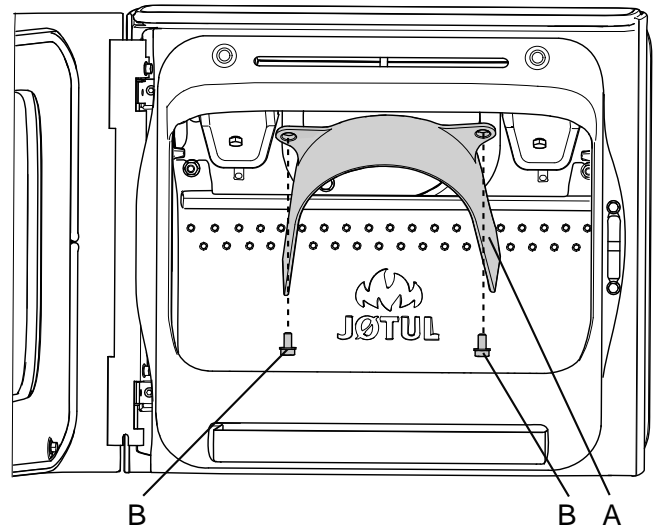


4. Fit the log retainer (A) on the knobs (B).

## 4.6 Fitting a flue pipe with a rear outlet

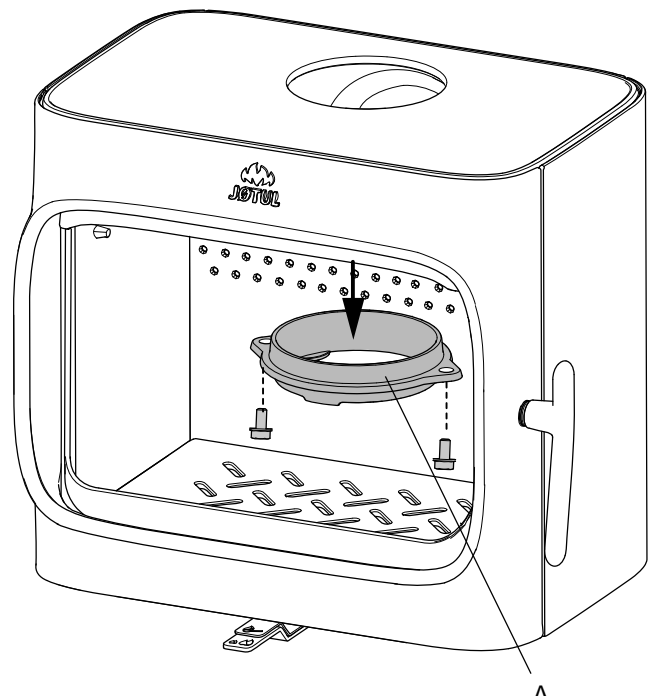
The product is supplied from the factory with the smoke outlet fitted for the top outlet. If you want a rear outlet, proceed as follows:

Fig. 21



1. Place the product in the correct position. See fig. 1.  
2. Unscrew the screws (B) and remove the exhaust deflector (A).

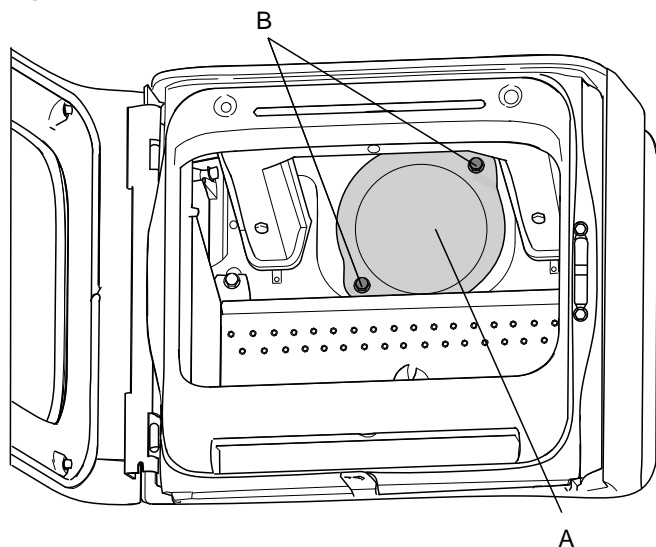
Fig. 22



3. Unscrew the smoke outlet (A) from the top outlet.

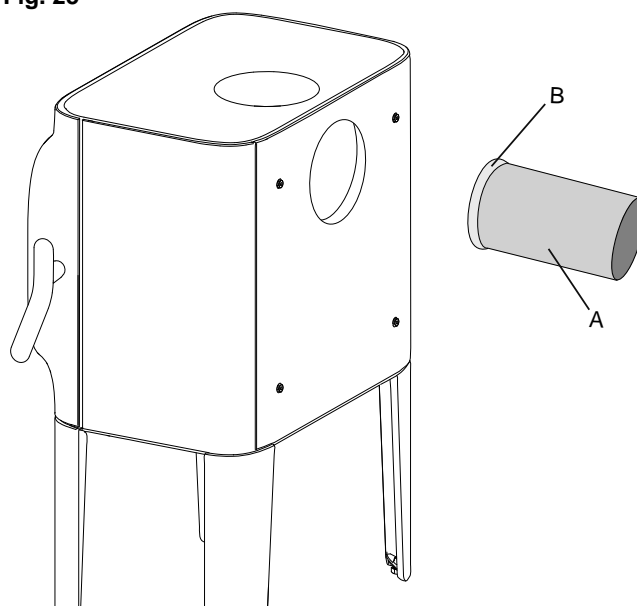


Fig. 23



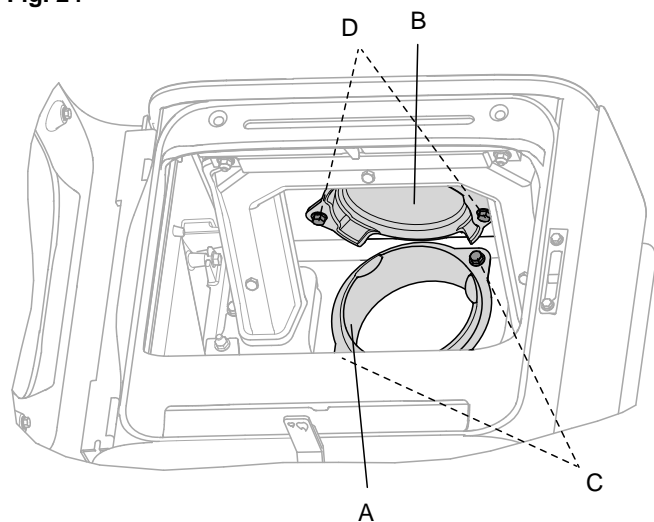
4. Unscrew the screws **(B)** and remove the cover **(A)** of the rear outlet from the inside of the burn chamber.

Fig. 25



8. Place the gasket **(B)** on the edge of the flue pipe **(A)**.

Fig. 24



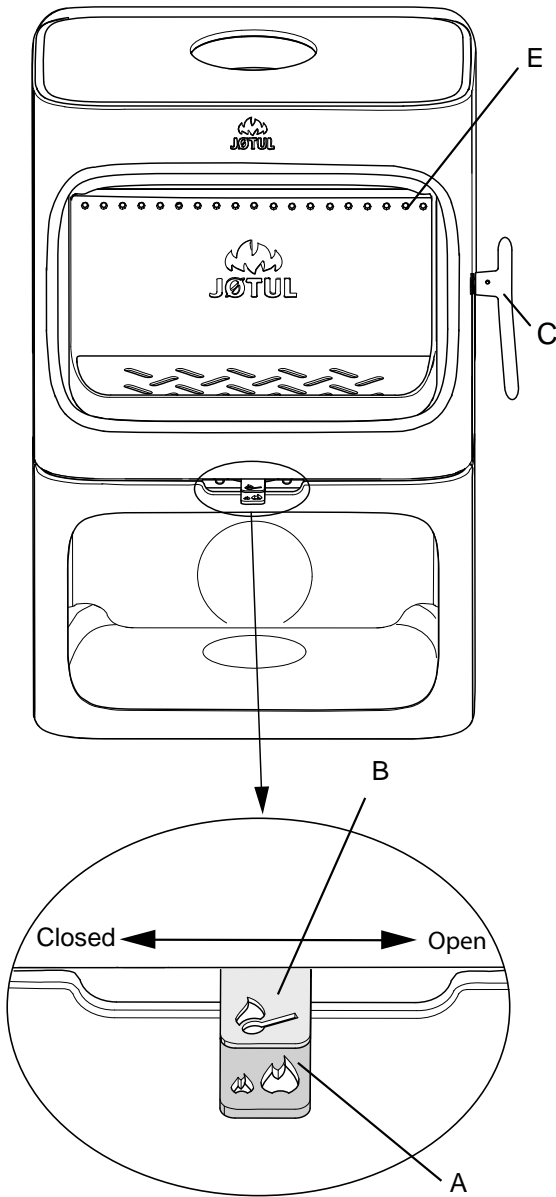
5. Fasten the smoke outlet **(A)** to the rear outlet with the two screws **(C)** from the inside of the burn chamber.
6. Fasten the cover **(B)** to the top outlet with the two screws **(D)** from the inside of the burn chamber.
7. Fasten the exhaust deflector **(fig. 21 A)**.

# ENGLISH

## 4.7 Performance check

Always check the control handles once the product has been assembled. These should move easily and work in a satisfactory manner.

Fig. 26



The Jøtul F 305 is equipped with the following operating options:

### Air vent (A)

Push to the left: Closed  
Push to the right: Open

### Ignition vent (B)

Push to the left: Closed  
Push to the right: Open

### Door handle (C)

Opens by pulling the handle.

**Stacking height (E)** for wood (the holes may not be covered).

## 5.0 Daily use

### Odours when using the fireplace for the first time

When the fireplace is used for the first time, it may emit an irritating gas which may smell slightly. This happens because the paint dries. The gas is not toxic but the room should be thoroughly ventilated. Let the fire burn with a high draught until all traces of the gas have disappeared and no smoke or odours can be detected.

### Heating advice

**NB:** Logs that have been stored outdoors or in a cold room should be brought indoors 24 hours before use to bring them up to room temperature.

There are various ways of heating the stove but it is always important to be careful about what you put in the stove. See the section on “**Wood quality**”.

Burning with a poor air supply can cause insufficient combustion, reduced energy efficiency, and increased emissions of particles, black carbon and other compounds that are harmful to health and the environment.

### Wood quality

**By quality wood we mean most well-known types of wood such as birch, spruce and pine.**

**The logs should be dried so that the moisture content is no more than 20%.**

To achieve this, the logs should be cut during the late winter. They should be split and stacked in a way that ensures good ventilation. The wood stacks should be covered to protect the logs from rain. The logs should be brought indoors during early autumn and stacked/stored for use in the coming winter.

**Be especially careful never to use the following materials as fuel in your fireplace:**

- Household rubbish, plastic bags, etc.
- Painted or impregnated timber (which is extremely toxic).
- Laminated wooden planks.
- Driftwood

*These may harm the product and are also pollutants.*

**NB: Never use petrol, paraffin, methylated spirit or similar liquids to light the fire. You may cause serious injury to yourself and damage to the product.**

### Kindling (finely split wood):

Length: Max. 41 cm  
Diameter: 2-5 cm  
Quantity required each time: 6 - 8 pieces

### Wood (split wood):

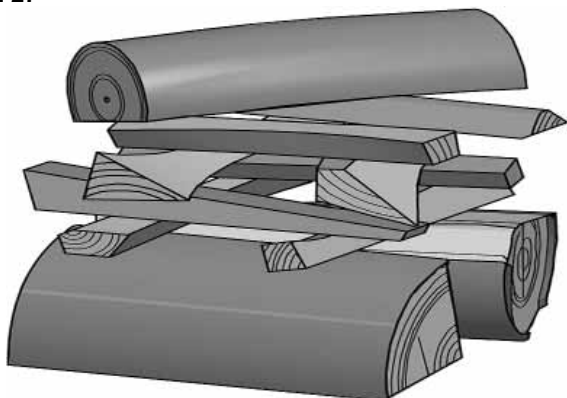
Recommended length: 30 - 40 cm  
Diameter: Approx. 8 cm  
Interval for adding wood: Approx. every 45 - 50 minutes  
Fire size: 1,8 kg (nominal output)  
Quantity required each time: 2  
Max. each time: 2,4 kg

Nominal heat output is achieved when the air vent is open approx. 50% (**fig. 26 A**) and the ignition vent (**fig. 26 B**) closed.

## Initial lighting

- Open the air vent and ignition vent by pulling the handles (fig. 26) all the way out. (Use a glove or something similar to protect your hand in case the handles are hot.)

Fig. 27



- Place two logs at the bottom of the burn chamber and pile the kindling in layers.
- Finally, place a medium-sized log on the top of the pile.
- Place 2 or 3 briquettes or kindling sticks under the top layer of kindling and light the fire. **NB: The maximum height of the pile of the wood should be just below the horizontal holes. The holes must not be covered.**
- Close the ignition vent (fig. 26 B) when the wood has caught fire properly and is burning well.
- You can then regulate the rate of combustion to give the heat you want by adjusting the air vent (fig. 26 A).
- Check that the afterburning (secondary combustion) starts. This is best indicated by yellow, flickering flames in front of the holes under the baffle.
- If the air flow is normal you will be able to shut the door and the fire will take care of itself.

## Adding firewood

Stoke the stove frequently but only add small amounts of fuel at a time. If the stove is filled too full, the heat created may cause extreme stress in the chimney. Add fuel to the fire in moderation. Avoid smouldering fires as this produces the most pollution. The fire is best when it is burning well and the smoke from the chimney is almost invisible.

- **Refuelling on to a low fire bed:** If there is insufficient burning material in the firebed to light a new fuel charge, excessive smoke emission can occur. Refilling must be carried out onto a sufficient quantity of glowing embers and ash that new fuel charge will ignite in a reasonable period. If there are too few embers in the fire bed, add suitable kindling to prevent excessive smoke.
- **Fuel overloading:** The maximum amount of fuel specified in this manual should not be exceeded, overloading can cause excess smoke
- **Operating with door left open:** Operation with the door open can cause excess smoke. This appliance must not be operated with the appliance door left open except as directed in the instructions.
- **Dampers left open:** Operation with the air controls or appliance dampers can cause excess smoke. The appliance must not be operated with air controls, appliance dampers or door left open except as directed in the instructions.

## 5.1 Danger of overheating

### The fireplace must never be used in a manner that causes overheating

Overheating occurs when there is too much fuel and/or too much air so that too much heat develops. A sure sign of overheating is when parts of the fireplace glow red. If this happens, reduce the air vent opening immediately.

*Seek professional advice if you suspect that the chimney is not drawing properly (too much/too little draught). For further information, see «4.0 Installation» (4.3 Chimney and flue pipe).*

## 5.2 Ash removal

- The Jøtul F 305 has an ash pan that makes it easy to remove the ash.
- Only remove ash when the fireplace is cold.
- Scrape the ash through the grate in the inner bottom and down into the ash pan. Use a glove or something similar to protect your hand. Take hold of the handle of the ash pan and lift out the ash. Make sure that the ash pan never gets so full that it prevents the ash from falling through the grate and down into the pan.
- Make sure that the ash pan is pushed all the way in before closing the door.

## 6.0 Maintenance

### 6.1 Cleaning the glass

The product is equipped with an air wash for the glass. Air is sucked in through the air vent on the top of the product and down along the inside of the glass.

However, some soot will always stick to the glass, but the quantity will depend on the local draught conditions and adjustment of the air vent. Most of the soot layer will normally be burned off when the air vent is opened all the way and a fire is burning briskly in the fireplace.

**Good advice!** For normal cleaning, moisten a paper towel with warm water and add some ash from the burn chamber. Rub it over the glass and then clean the glass with clean water. Dry well. If it is necessary to clean the glass more thoroughly we recommend using a glass cleaner (*follow the instructions on the bottle*).

### 6.2 Cleaning and soot removal

Soot deposits may build up on the internal surfaces of the fireplace during use. Soot is a good insulator and will therefore reduce the fireplace's heat output. If soot deposits accumulate when using the product, they can easily be removed by using a soot remover.

In order to prevent a water and tar layer from forming in the fireplace, you should regularly allow the fire to burn hot in order to remove the layer. An annual internal cleaning is necessary to get the best heating effect from your product. It is a good idea to do this when cleaning the chimney and flue pipes.

# ENGLISH

## 6.3 Sweeping flue pipes to the chimney

Flue pipes must be swept through the flue pipe sweeping hatch or through the door opening. The baffle and exhaust deflector must be removed first.

## 6.4 Inspection of the fireplace

Jøtul recommends that you carefully inspect your fireplace yourself after it has been swept/cleaned. Check all visible surfaces for cracks. Also check that all joints are sealed and that the gaskets are in the correct position. Any gaskets showing signs of wear or deformation must be replaced.

Thoroughly clean the gasket grooves, apply ceramic glue (available from your local Jøtul dealer) and press the gasket well into place. The joint will dry quickly.

## 6.5 Exterior maintenance

*Painted products* may change colour after several years' usage. The surface should be cleaned and brushed free of any loose particles before new paint is applied.

*Enamelled products* must only be cleaned with a clean, dry cloth. Do not use water and soap. Any stains can be removed with a cleaning fluid (oven cleaner etc.).

**Important!** Never place anything on the top plate of the stove. This could cause permanent damage to the paint or enamel.

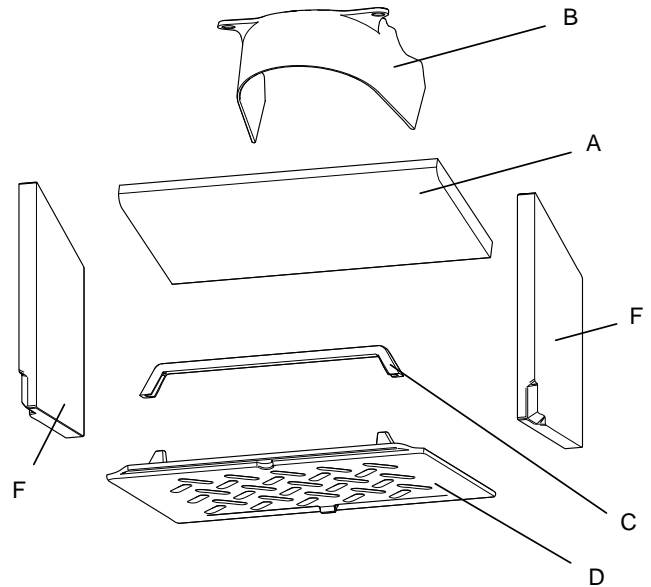
## 7.0 Servicing

**Warning!** Any unauthorised changes to the product are illegal! Only original spare parts may be used!

### 7.1 Service/replacing parts in the burn chamber

**NB:** Use tools with great care! The vermiculite plates may be damaged if treated roughly.

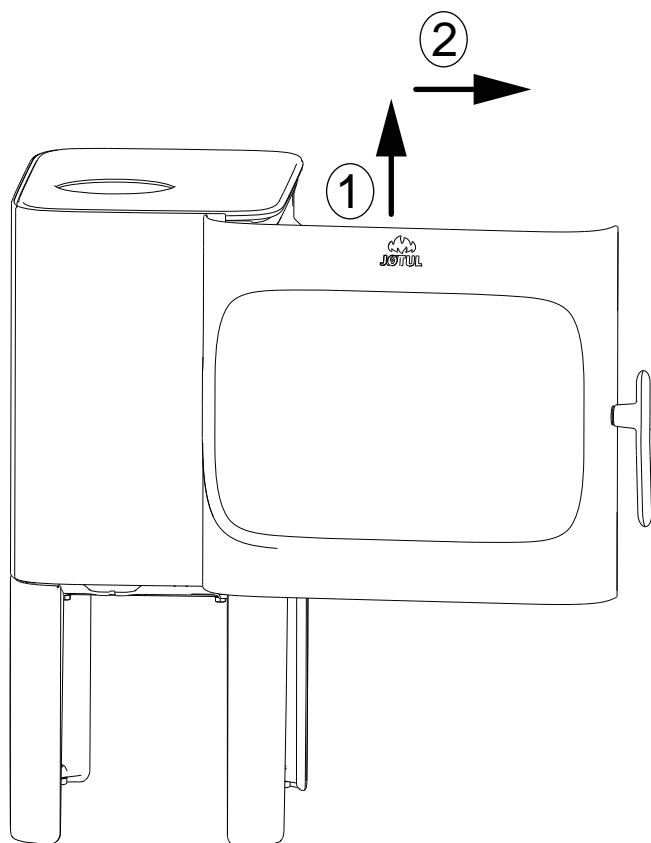
Fig. 28



1. **Baffle:** Lift the rear edge of the baffle (A) forward and down and twist it out of the burn chamber.
2. **The exhaust plate (B)** can be dismantled by unscrewing the 2 screws that holds the exhaust plate in place.
3. **Log retainer (C):** Lift the log retainer straight up and out of the burn chamber.
4. **Ash grate (D)** – First remove the log retainer (C). Pull the ash pan out and push the ash grate (D) up from below so that you can take hold of it from the top side and lift it out of the burn chamber.
5. **Side burn plates (F):** First remove the log retainer (C) and the ash pan. Then lift the side plates out.

## 7.2 Dismounting the door

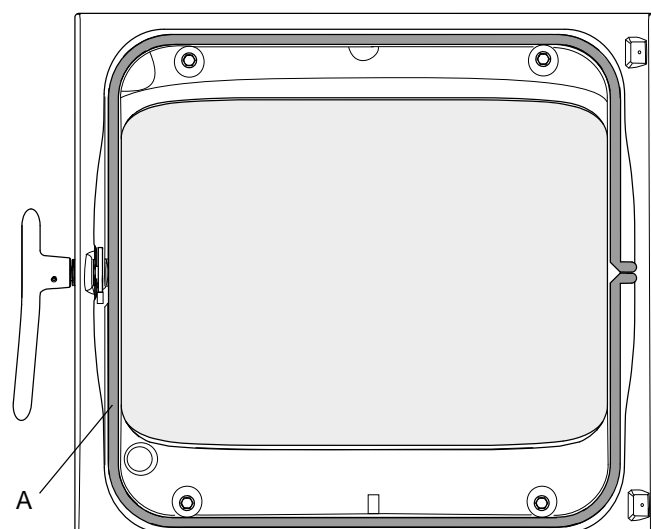
Fig. 29



1. Open the door. Lift it up and then off the hinges.

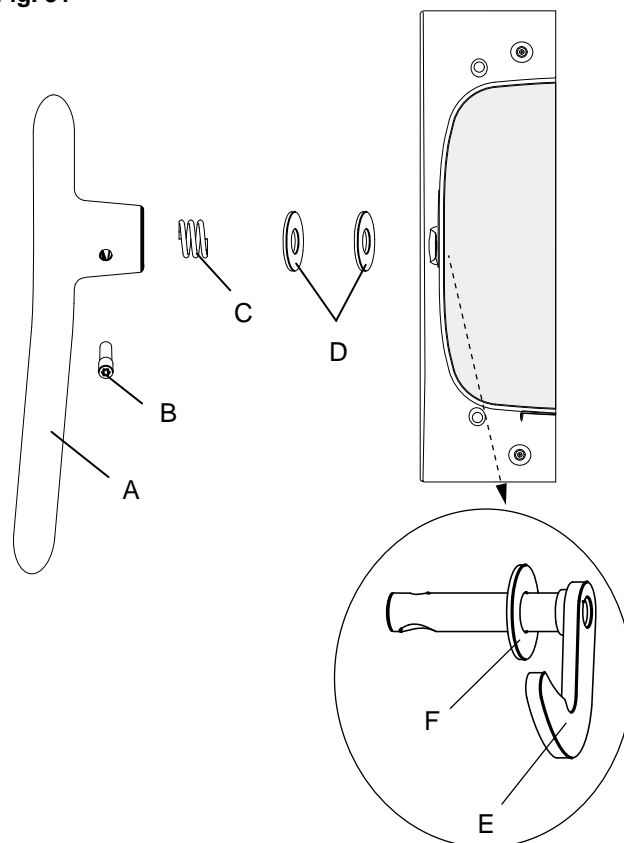
## 7.3 Replacing glass and gaskets in the door

Fig. 30



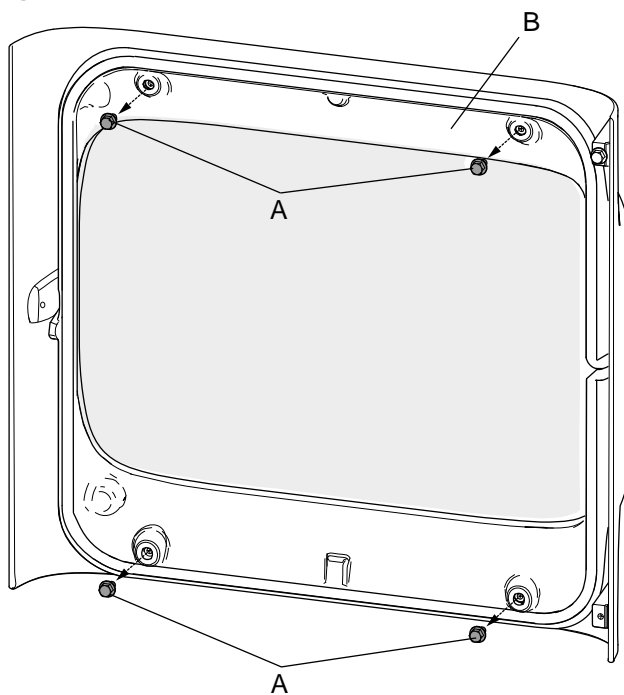
1. Remove the gasket (A) placed on the inside of the door, clean the gasket groove and glue on a new gasket.

Fig. 31



2. Unscrew the screw (B) and loosen the handle (A).
3. Take out the spring (C) and the two washers (D).
4. Take out the door hook (E) and the washer (F).

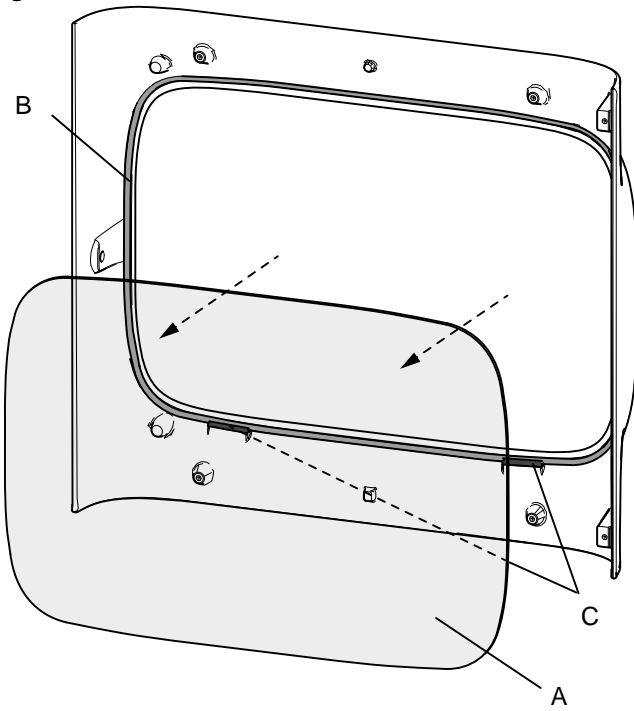
Fig. 32



5. If a glass gasket or glass need replacement, first remove the door handle (see it. 2-4).
6. Unscrew the glass holder (B) that is attached with 4 screws (A). NB: The glass in the door is loose. Be careful not to knock the glass when the glass holder is loosened.

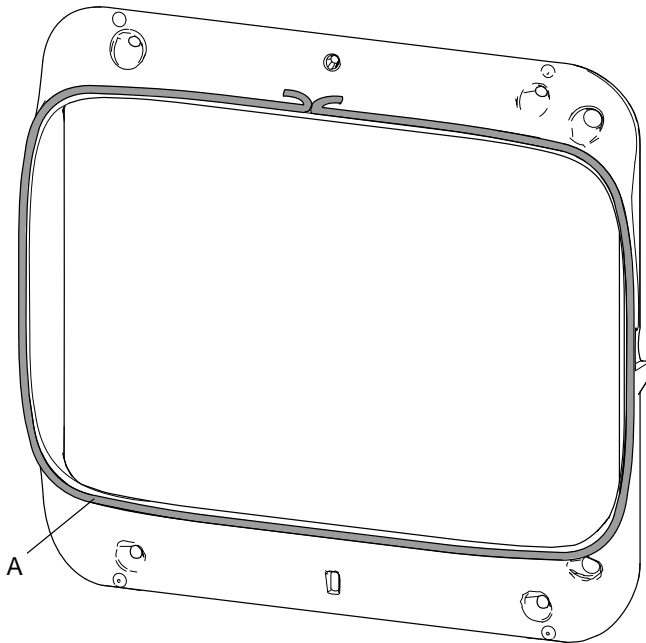
# ENGLISH

Fig. 33



7. Remove the glass (A) carefully. Remove the gaskets (B) and (C), and clean the gasket grooves.
8. Glue on new gaskets.

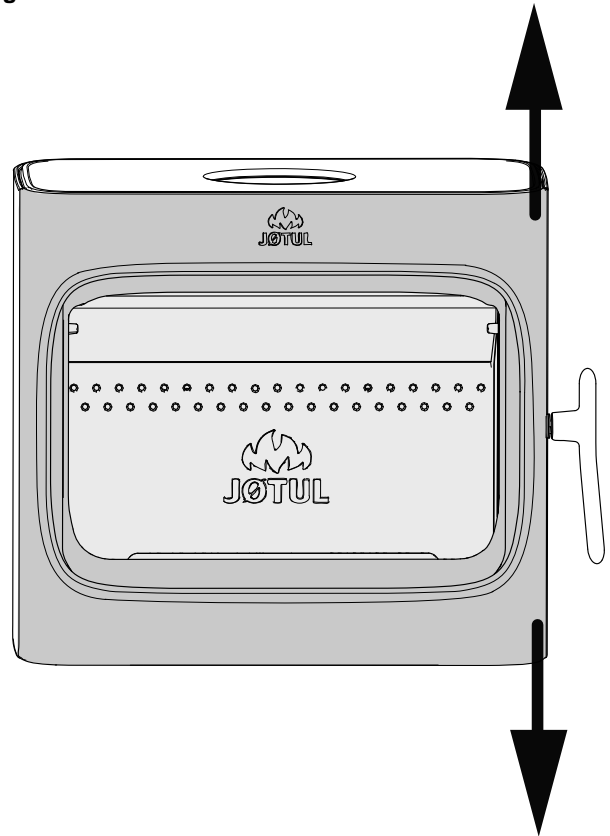
Fig. 34



9. Remove the old gasket (A) and clean the grooves. Glue on a new gasket.
10. Install back all parts once all damaged gaskets have been replaced.

## Adjusting the door

Fig. 35



1. The door can be adjusted upwards or downwards slightly on the door lock side by forcing it into correct position. NB! The door cannot be fully closed when adjusting it!

## 8.0 Optional extras

### 8.1 Kit for outside air connection

Outside air connection, Ø80 mm - Cat. no. 51047509  
 Outside air connection, Ø 100 mm - Cat. no. 51012164

### 8.2 Soapstone top

Cat. no. 51048022, BP  
 Cat. no. 51049314, WHE

### 8.3 Ash lip for product with legs

Cat. no. 51047339, BP  
 Cat. no. 51047341, WHE

### 8.4 Protection grid for sweep ball

Cat. no. 151608 (Ø 150 mm)

### 8.5 Short legs

Cat. no. 51047318, BP  
 Cat. no. 51047340, WHE

## 9.0 Recycling

### 9.1 Recycling packaging

Your fireplace is delivered with the following packaging:

- A wooden pallet that can be cut up and burned in the fireplace.
- Cardboard packaging that should be taken to a local recycling facility.
- Plastic bags that should be taken to a local recycling facility.

### 9.2 Recycling the fireplace

The fireplace is made of:

- Metal that should be taken to a local recycling facility.
- Glass that should be disposed of as hazardous waste. The glass in the fireplace must not be placed in a regular source segregation container.
- Vermiculite burn plates that can be disposed of in regular waste containers.

## 10.0 Guarantee terms

### 1. Our guarantee covers:

Jøtul AS guarantees that the external cast-iron parts are free from defects in materials or manufacturing at the time of purchase. You may extend the guarantee on the external cast-iron parts to 25 years from the date of delivery by registering the product on [jotul.com](http://jotul.com), and print out the extended guarantee card within three months of purchase. We recommend that the guarantee card be kept together with the receipt. Jøtul AS also guarantees that steel plate parts are free from defects in materials or manufacturing at the time of purchase for a period of 5 years from the date of delivery.

The guarantee applies on the condition that the stove has been installed by a qualified installer in accordance with applicable laws and regulations and Jøtul's installation and operating instructions. Repaired products and replacement items are guaranteed within the original guarantee period.

### 2. The guarantee does not cover:

- 2.1. Damage to consumables such as burn plates, fire grates, flue baffles, gaskets and similar as these deteriorate over time due to normal wear and tear.
- 2.2. Damage caused as a result of improper maintenance, overheating, use of unsuitable fuel (e.g. of unsuitable fuel are, but not limited to driftwood, impregnated wood, plank offcuts, chipboard ) or too moist / wet wood.
- 2.3. Installation of optional extras for the purpose of rectifying local draught conditions, air supply or other circumstances beyond Jøtul's control.
- 2.4. Cases involving alterations / modifications to the fireplace without Jøtul's consent or the use of non-original parts.
- 2.5. Damage caused during storage at a distributor, transport from a distributor or during installation.
- 2.6. Products sold by unauthorized sellers in areas where Jøtul operates a selective distribution system.
- 2.7. Associated cost (e.g. but not limited to, transport, manpower, travel) or indirect damages.

Pellets stoves, glass, stone, concrete, enamel and paint finish (e.g. but not limited to chipping, cracking, bubbling or discolouration and crazing) are applicable to the national legislation governing the sale of consumer goods. This guarantee is valid for purchases made within the territory of the European Economic Area. All guarantee inquiries must be addressed to your local authorized Jøtul dealer within a reasonable amount of time, which shall not be later than 14 days from the date on which the fault or defect first became apparent. See list of importers and dealers on our web site [www.jotul.com](http://www.jotul.com).

If Jøtul is unable to meet the obligations outlined in the above guarantee terms, Jøtul will offer a replacement product with a similar heating capacity free of charge.

Jøtul reserve the right to decline of any replacement of parts or service in the event that the guarantee is not registered online. This guarantee does not affect any rights under applicable national legislation governing the sale of consumer goods. The national complaint right applies from the purchase date and only in exchange for a receipt / serial number.

# FRANCAIS

## Sommaire

1.0	Données techniques	32
2.0	Relations avec les autorités	32
3.0	Sécurité	33
4.0	Installation	47
5.0	Utilisation au quotidien	54
6.0	Maintenance	55
7.0	Entretien	56
8.0	Équipements disponibles en option	59
9.0	Recyclage	59
10.0	Conditions de garantie	59

Enregistrez votre insert sur [jotul.com](http://jotul.com) pour la garantie de 25 ans.

Product: Jotul Room heater fired by solid fuel				CE	
Standard Minimum distance to adjacent combustible materials: Minimum distance to adjacent non-combustible materials: Emission of CO in combustion products: Flue gas temperature Nominal heat output: Efficiency Operational range: Fuel type: Operational type: The appliance can be used in a shared flue.					
Country	Classification	Certification/standard	Approved by		
Norway	Klasse II				
Sweden	osc	SP	SP Sveriges Provnings- och Forskningsinstitut AB		
EUR	intermittent	EN	EN 13240 National Testing and Research Institute		
Follow user's instructions. Use only recommended fuels. Montage- und Bedienungsanleitung beachten. Verwenden Sie nur empfohlenen Brennstoffen. Respectez les consignes d'utilisation. Utilisez uniquement les combustibles recommandés.					
Serial no. Y-xxxxx Year: 200x					
Manufacturer: Jotul AS POB 1441 N-1602 Fredrikstad Norway				221546	

Tous nos produits sont livrés avec une étiquette reprenant le numéro de série et l'année. Reportez ce numéro à l'endroit indiqué dans les instructions d'installation.

N'oubliez pas de le mentionner à chaque fois que vous contactez votre revendeur ou Jotul.

Serial no.

## 1.0 Relations avec les autorités

- L'installation d'un poêle est soumise aux lois et réglementations nationales en vigueur. Toutes les réglementations locales, y compris celles se rapportant aux normes nationales et européennes, doivent être respectées lors de l'installation du produit.
- L'installation ne pourra être mise en service qu'après contrôle par un inspecteur habilité suivant les réglementations du pays.
- Avant d'installer un nouveau poêle, adressez-vous aux autorités locales compétentes suivant les réglementations du pays.

## 2.0 Données techniques

Matériau :	Fonte
Finition :	Peinture noire / email
Sortie du conduit de raccordement :	Haut, arrière
Conduit de raccordement :	Ø 150 mm section transversale
Raccordement prise d'air extérieur :	Alu. flex - Ø 80 / 100 mm
<b>Poids de l'appareil :</b>	
Chambre de combustion avec pieds longs :	137 kg
Chambre de combustion avec pieds courts :	134 kg
Chambre de combustion avec socle :	163 kg
Dessus en pierre ollaire :	36 kg
Options	Cendrier, dessus en pierre ollaire, raccord d'air extérieur Ø 80 / 100 mm. Grille de protection pour outil de ramonage, pieds courts

Dimensions de l'appareil, distances : **Voir Fig. 1**

### Données techniques conformes à la norme EN 13240

Puissance nominale :	7 kW
Débit massique des fumées :	7,1 g/s
Tirage de cheminée, EN 13240 :	12 Pa
Pression négative recommandée en sortie des fumées :	14-16 Pa
Rendement :	79 % à 7,5 kW
Émissions de CO (13 % O <sub>2</sub> ) :	0,06%
Émissions de CO (13 % O <sub>2</sub> ) :	786 mg/Nm <sup>3</sup>
NOx à 13 % O <sub>2</sub> :	85 mg Nm <sup>3</sup>
COV à 13 % O <sub>2</sub> :	64 mg/Nm <sup>3</sup>
Consommation d'air :	6,1 litre / sec ou 22m <sup>3</sup> /h
Émissions de particules NS 3059 :	1,5 g / kg
Température de cheminée, EN 13240 :	261 °C
Température de sortie des fumées :	313 °C
Poussières :	<7 mg/Nm <sup>3</sup> à 13 % O <sub>2</sub>

Combustible :	Bois exclusivement
Longueur maximale des bûches :	41 cm
Consommation horaire :	2,25 kg/h
Quantité de bois d'allumage max. :	2,4 kg
Quantité de bois d'allumage nominal :	1,8 kg
Fonctionnement :	Intermittent

Par fonctionnement intermittent, on entend une utilisation normale du poêle dans laquelle on ajoute du bois lorsqu'il ne reste plus que des braises.



## 3.0 Sécurité

**Remarque : Afin d'assurer un niveau de rendement et de sécurité optimal, l'installation d'un poêle Jøtul doit être confiée à un installateur qualifié (voir [www.jotul.com](http://www.jotul.com) pour la liste complète de nos revendeurs).**

Toute modification de l'appareil risque de compromettre le bon fonctionnement de l'appareil et de ses éléments de sécurité. Ceci s'applique également à l'installation d'accessoires ou d'équipements en option qui ne sont pas fournis par Jøtul. Ce risque peut par ailleurs survenir dans le cas où des pièces ou éléments essentiels pour le bon fonctionnement et la sécurité du poêle, ont été désassemblés ou retirés.

Dans tous ces cas, le fabricant ne pourra être tenu responsable pour le produit et le droit de recours à la garantie sera rendu nul et sans effet.

### 3.1 Mesures de prévention anti-incendie

Toute utilisation du poêle comporte un certain degré de risques. C'est pourquoi, il est indispensable de toujours respecter les consignes de sécurité suivantes :

- Les distances minimales à respecter en utilisant le poêle ressortent de la figure 1. La distance avec les matériaux inflammables spécifiée s'applique à ce poêle. Le poêle doit être installé avec un conduit de raccordement normalisé CE. La distance minimum entre les tuyaux et les matériaux combustibles doit aussi être respectée.
- Assurez-vous que les meubles et autres matériaux inflammables ne sont pas trop rapprochés du poêle. Pas de matériaux inflammables dans un rayon de 1100 mm du poêle.
- Laissez le feu s'éteindre de lui-même. Ne tentez jamais d'éteindre le feu avec de l'eau.
- Le poêle devient très chaud lorsqu'il est allumé et peut provoquer des brûlures à la personne qui le touche.
- Attendez que le poêle soit froid pour retirer les cendres. Les cendres pouvant encore contenir des braises, il convient de les recueillir dans un réceptacle ininflammable.
- Il convient d'épandre les cendres à l'extérieur ou de les vider dans un endroit ne présentant aucun risque d'incendie.

#### En cas de feu de cheminée:

- Fermer l'ensemble des trappes et des entrées d'air.
- Maintenir la porte de la chambre de combustion fermée.
- Vérifier toute présence de fumée dans le grenier et dans la cave.
- Contacter le service de sécurité incendie.
- Suite à un feu de cheminée, le poêle et la cheminée doivent être contrôlés par un spécialiste avant toute nouvelle utilisation afin de s'assurer que l'installation est opérationnelle.

### 3.2 Le sol

Assurez-vous que le sol convient pour un poêle. Se reporter à la section « 2.0 Données techniques » pour la spécification du poids.

Il est recommandé d'enlever les revêtements situés sous le poêle, si ceux-ci ne sont pas solidaires du sol (parquets flottants).

### Pieds courts (Équipements disponibles en option)

Le poêle Jøtul F 305 Series avec pieds courts (Jøtul F 305 R SL, F 305 SL et F 305 C SL) peut uniquement être installé sur des sols où aussi bien la surface que la construction en soi sont en matériaux non combustibles. La surface non combustible doit présenter un prolongement d'au moins 500 mm devant le poêle.

**Remarque : Nous déconseillons d'installer le poêle sur un plancher chauffant (à eau ou électrique).**

### Exigences relatives à la protection des sols en bois

Le modèle Jøtul F 305 avec socle comporte un bouclier thermique sur le dessous pour protéger le sol du rayonnement.

Le F 305 sur pieds doit être installé sur une plaque de sol dessous et devant suivant la réglementation nationale.

**Note !** Rien ne doit être rangé sous le Jøtul F 305 R LL, F 305 LL et F 305 C LL risque d'incendie.

Jøtul recommande de retirer tout revêtement de sol combustible (linoléum, moquette, etc.) sur la surface couverte par la plaque de sol.

### Exigences relatives à la protection d'un revêtement de sol combustible devant le poêle

La plaque frontale doit être conforme aux lois et réglementations nationales en vigueur.

Veuillez contacter les autorités locales compétentes pour connaître les restrictions d'usage et les exigences liées à l'installation.

### 3.3 Les murs

Pour la distance aux murs et aux cloisons inflammables, reportez-vous et au mur en matériau combustible protégé par un pare-feu à la

Fig. 1c R et 1d R (Jøtul F 305 R)

Fig. 1c C et 1d (Jøtul F 305)

Fig. 1c C et 1d C (Jøtul F 305 C).

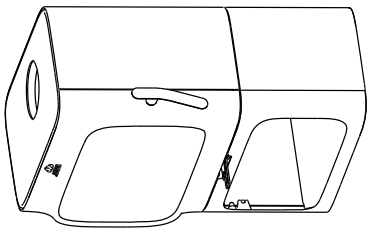
Le poêle peut être utilisé avec un conduit de fumée non isolé, à condition que les distances entre le poêle et les murs/cloisons inflammables soient conformes à la figure 1c R, 1c et 1c C.

**Assurez-vous que les meubles et autres matériaux inflammables ne sont pas trop rapprochés du poêle. Pas de matériaux inflammables dans un rayon de 1100 mm du poêle.**

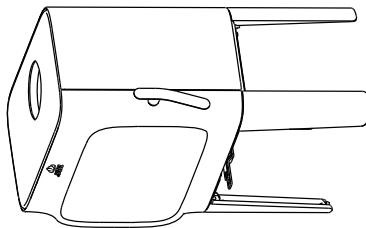
Jøtul F 305 R

Fig. 1a R

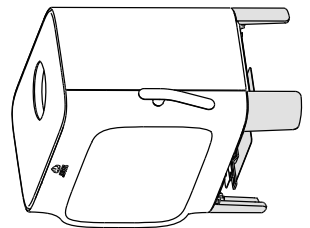
Jøtul F 305 R B (Socle)



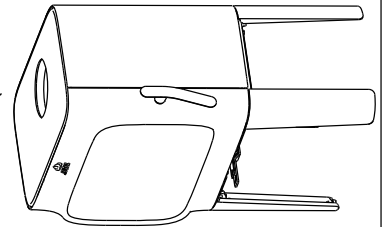
Jøtul F 305 R LL (Pieds longs)



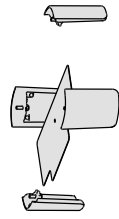
Jøtul F 305 R SL (Pieds courts)



Jøtul F 305 R LL (Pieds longs)



Pieds courts



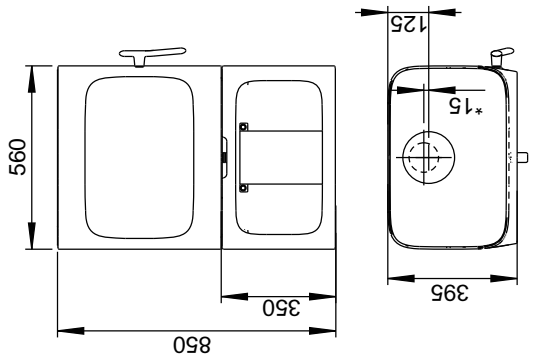
+

=

Fig. 1b R

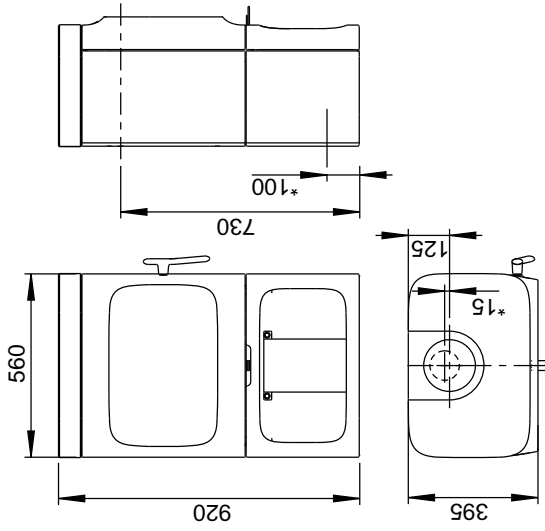
**Jøtul F 305 R**

Jøtul F 305 R B (socle)

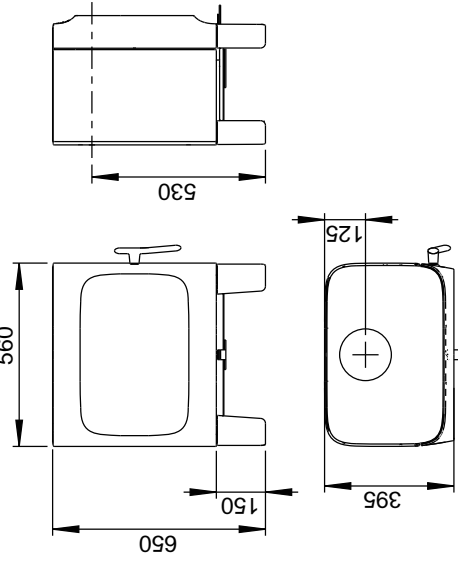


\* Amenée d'air frais

Jøtul F 305 R B (avec socle et dessus en pierre ollaire)



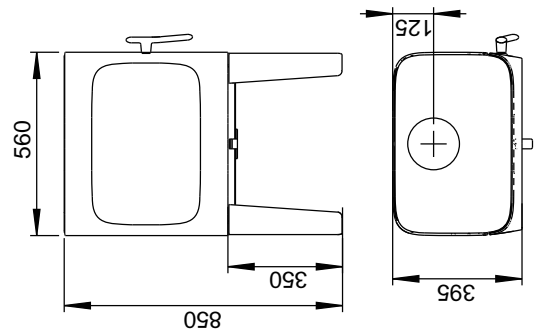
Jøtul F 305 R SL (korte bein)



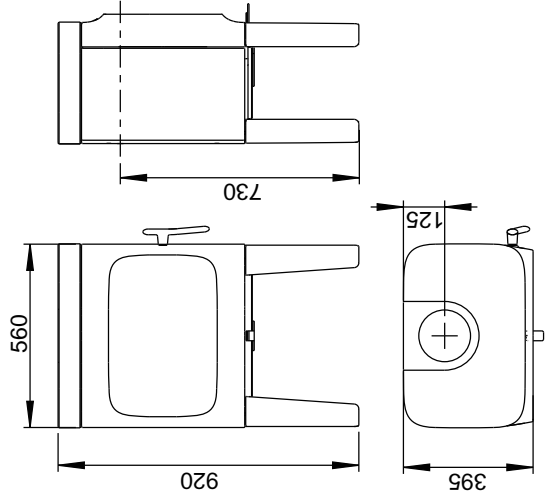
Le poêle Jøtul F 305 avec pieds courts peut uniquement être installé sur des sols où aussi bien la surface que la construction en soi sont en matériaux non combustibles. La surface non combustible doit présenter un prolongement d'au moins 500 mm devant le poêle.

Remarque : Nous déconseillons d'installer le poêle sur un plancher chauffant (à eau ou électrique).

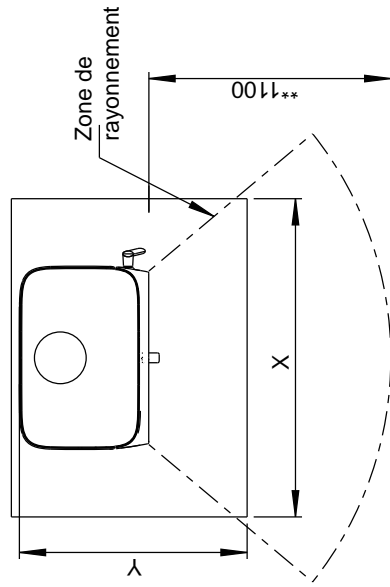
Jøtul F 305 R LL (Pieds longs)



Jøtul F 305 R LL (avec pieds longs et dessus en pierre ollaire)



**Plaque de sol**



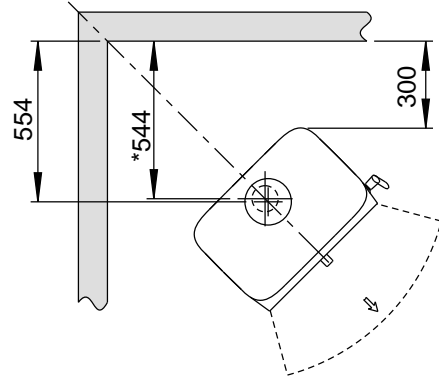
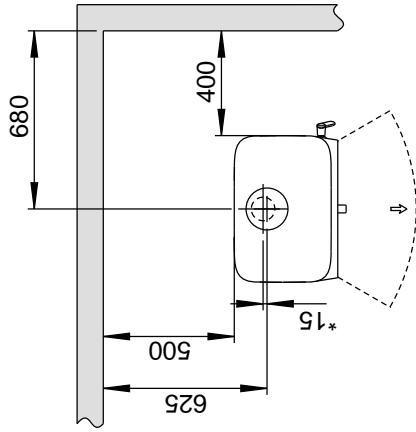
Dimensions minimales de la plaque de sol  
X/Y = Conformes aux lois et règlements en vigueur.  
\*\* Pas de matériaux inflammables.

Jøtul F 305 R

Fig. 1c R

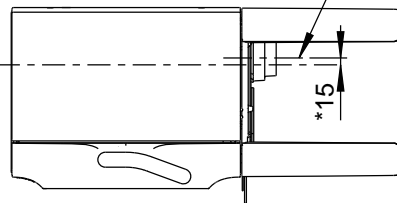
Mur inflammable

Distance minimale par rapport à un mur inflammable



Centre de conduit de fumée

Centre d'amenée d'air frais



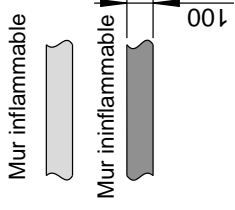
\* Amenée d'air frais

900194-P00

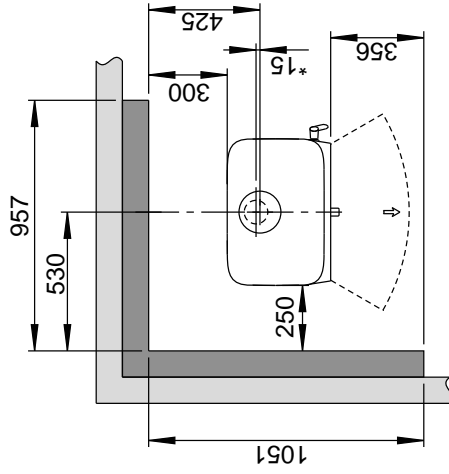
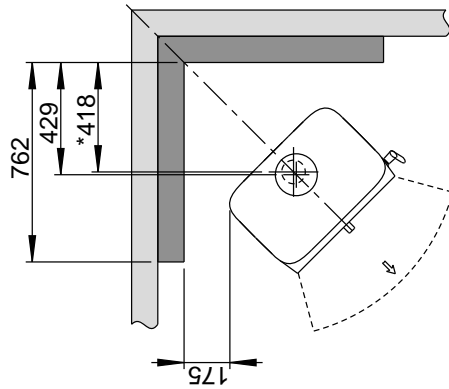
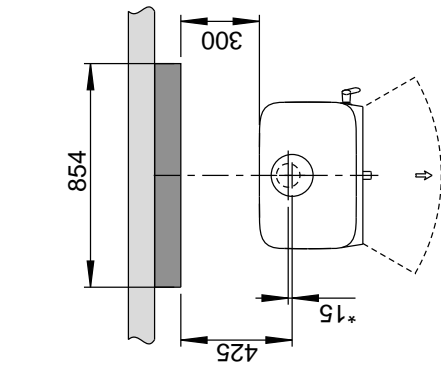
Jøtul F 305 R

Fig. 1d R

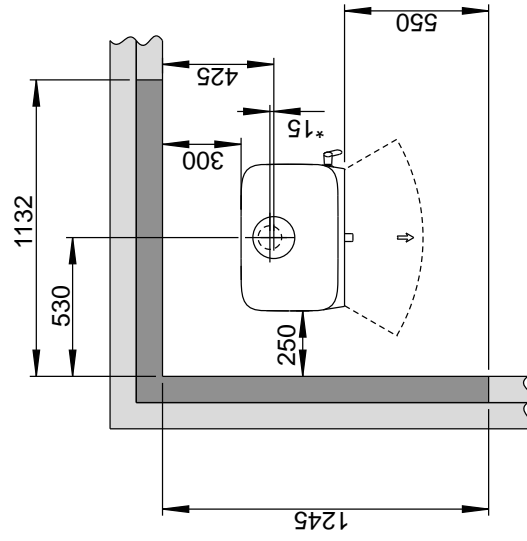
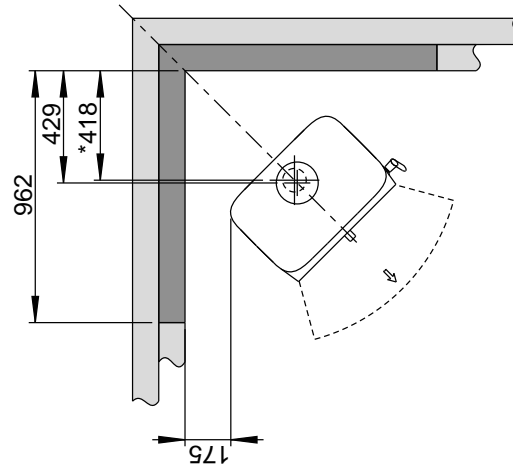
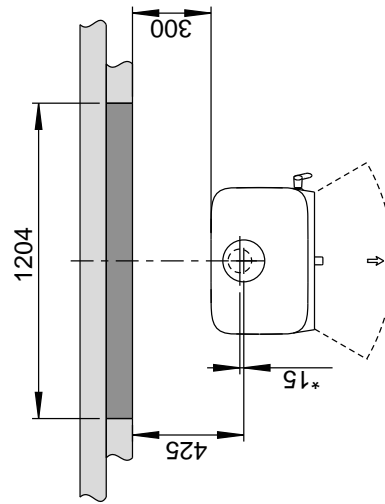
Distance minimale par rapport au mur en matériau combustible protégé par un pare-feu



Extern



Intégré

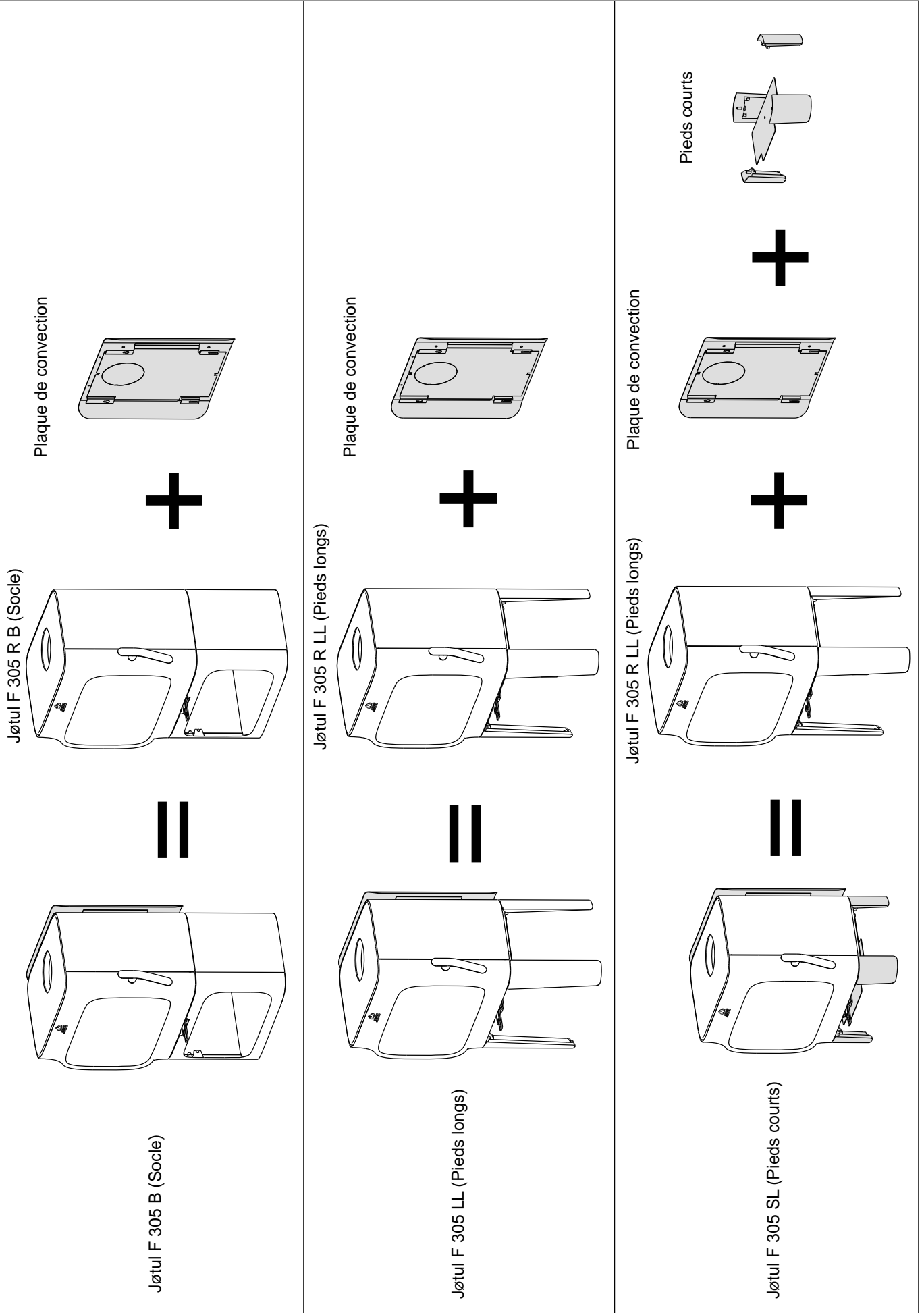


\* Amenée d'air frais

900194-P00

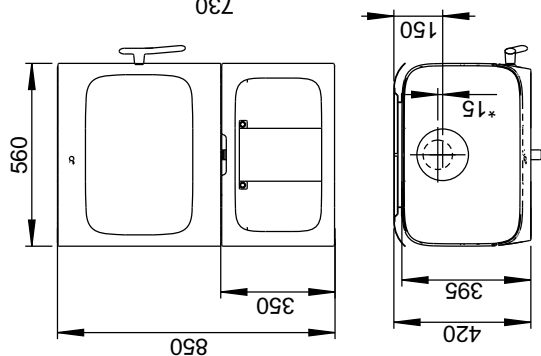
Jøtul F 305

fig. 1a

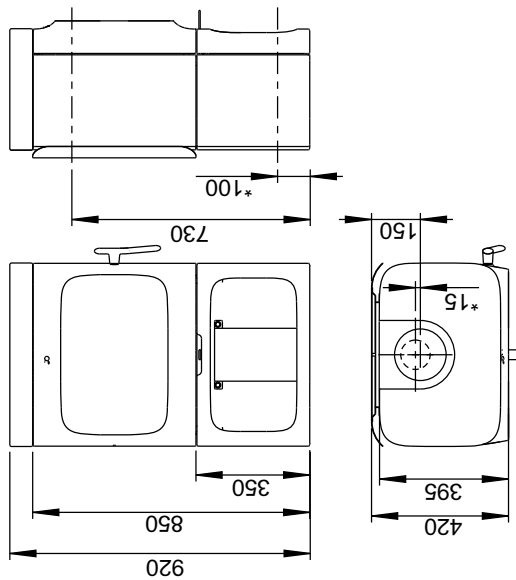


## Jøtul F 305

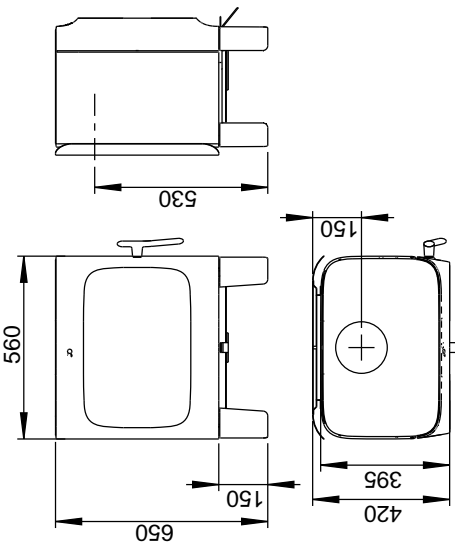
Jøtul F 305 B (socle)



Jøtul F 305 B (socle et dessus en pierre ollaire)



Jøtul F 305 SL (korte bein)

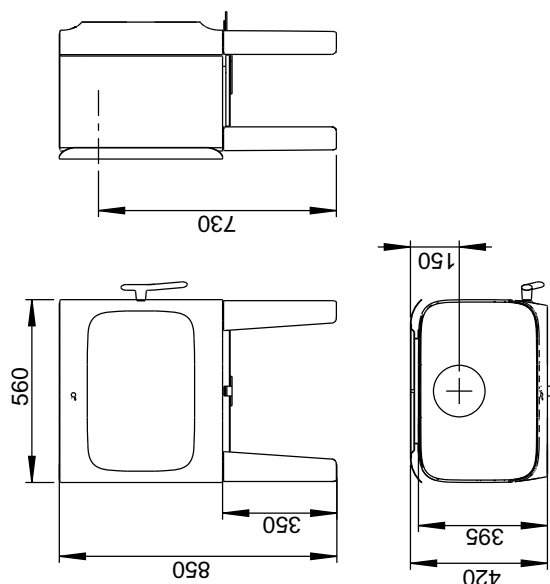


Le poêle Jøtul F 305 SL (avec pieds courts) peut uniquement être installé sur des sols où aussi bien la surface que la construction en soi sont en matériaux non combustibles. La surface non combustible doit présenter un prolongement d'au moins 500 mm devant le poêle.

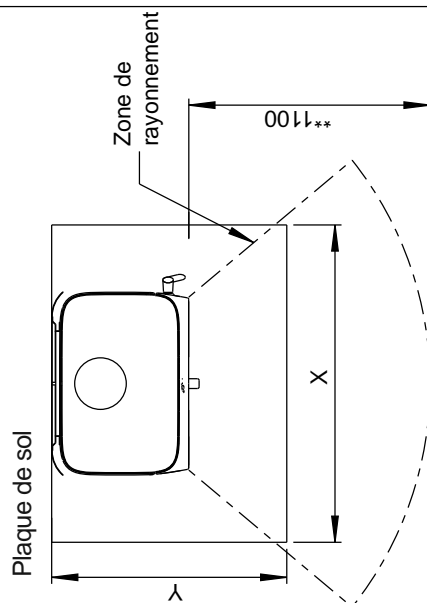
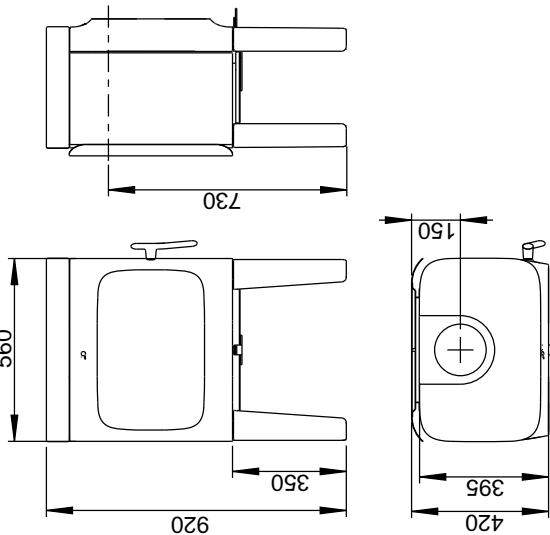
**Remarque : Nous déconseillons d'installer le poêle sur un plancher chauffant (à eau ou électrique).**

\* Amenée d'air frais

Jøtul F 305 LL (Pieds longs)



Jøtul F 305 LL (pieds longs et dessus en pierre ollaire)

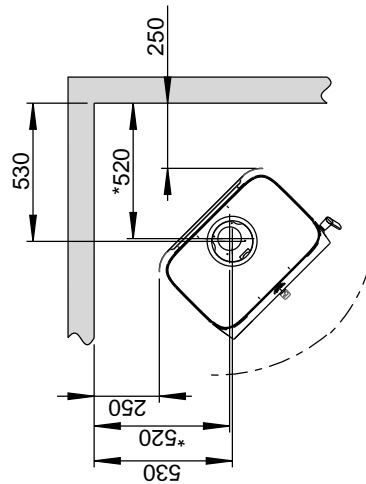
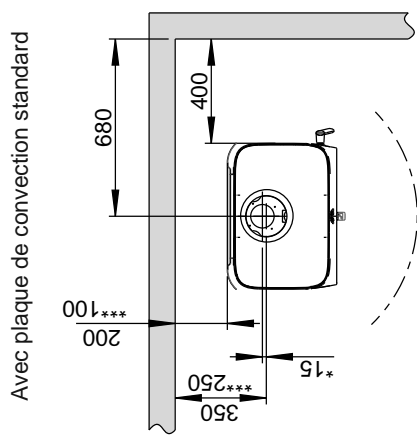


Dimensions minimales de la plaque de sol  
 XY = Conformes aux lois et règlements en vigueur.  
 \*\* Pas de matériaux inflammables.

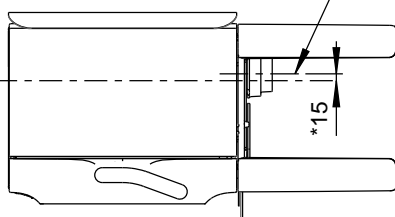
## Jøtul F 305

Distance minimale par rapport à un mur inflammable

Mur inflammable



Centre de conduit  
de fumée



\*15

Centre d'amenée d'air frais

\* Amenée d'air frais

\*\*\* Distance par rapport à un mur inflammable avec conduit semi-isolé / tuyau avec bouclier thermique



Jøtul F 305

Fig. 1d

Distance minimale par rapport au mur en matériau combustible protégé par un pare-feu

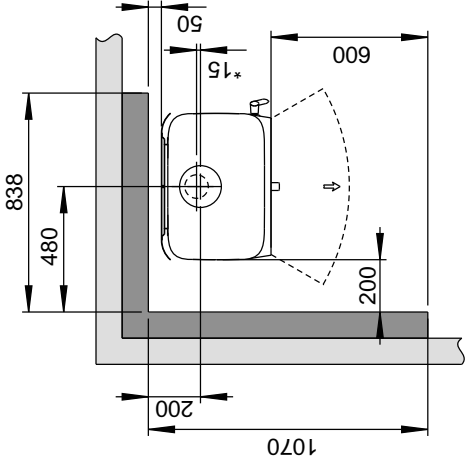
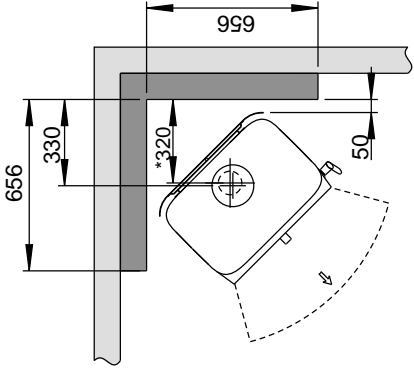
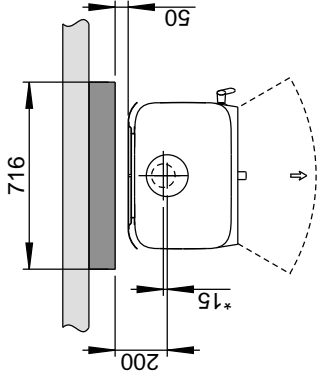
Mur inflammable



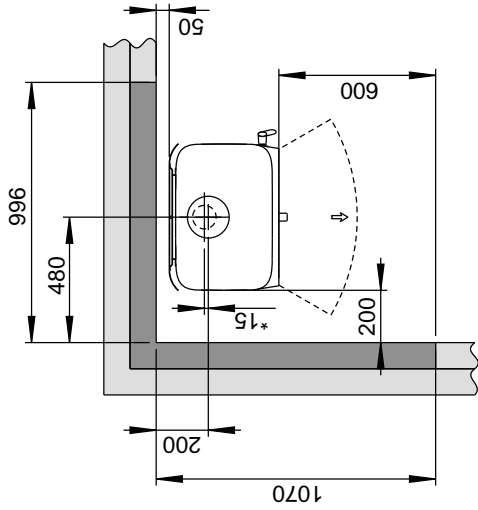
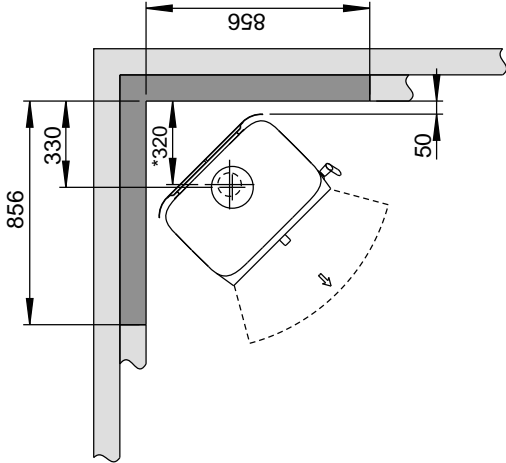
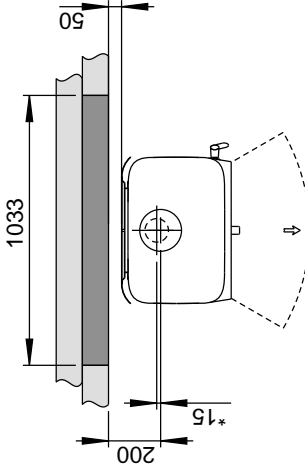
Mur ininflammable



Extern



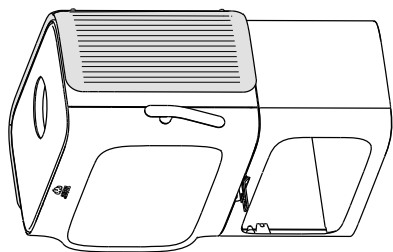
Intégré



\* Amenée d'air frais

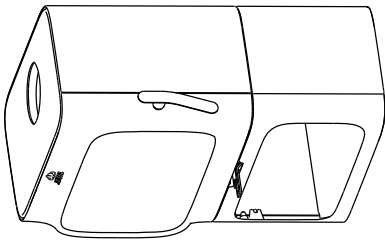
Fig. 1a C

Jøtul F 305 C



Jøtul F 305 C B  
(Socle)

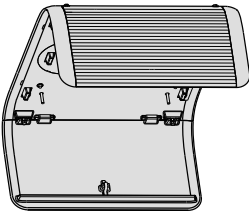
=



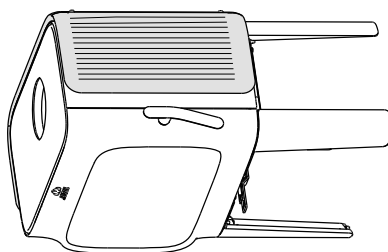
Jøtul F 305 R B (Socle)

+

Kit de convection

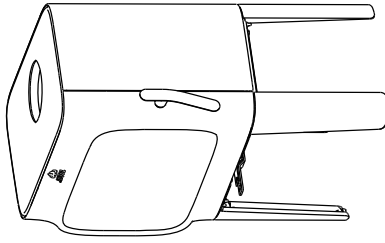


Jøtul F 305 R LL (Pieds longs)

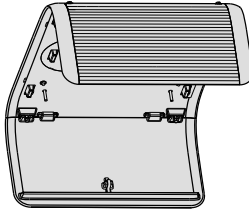


Jøtul F 305 C LL  
(Pieds longs)

=

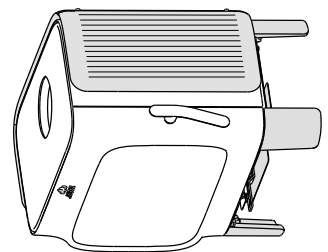


Kit de convection



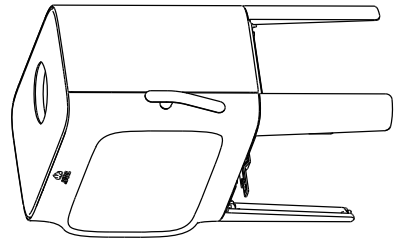
+

Jøtul F 305 R LL (Pieds longs)

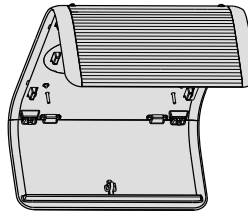


Jøtul F 305 C SL  
(Pieds courts)

=

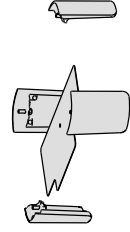


Kit de convection



+

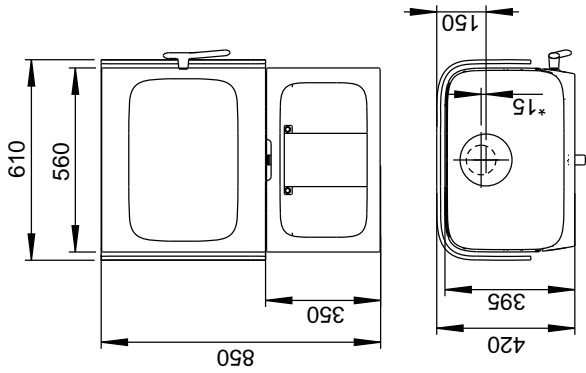
Pieds courts



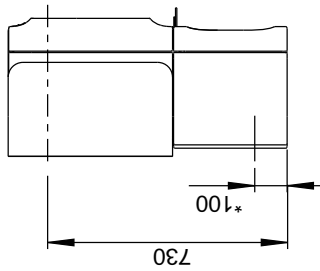
Jøtul F 305 C

Fig. 1b C

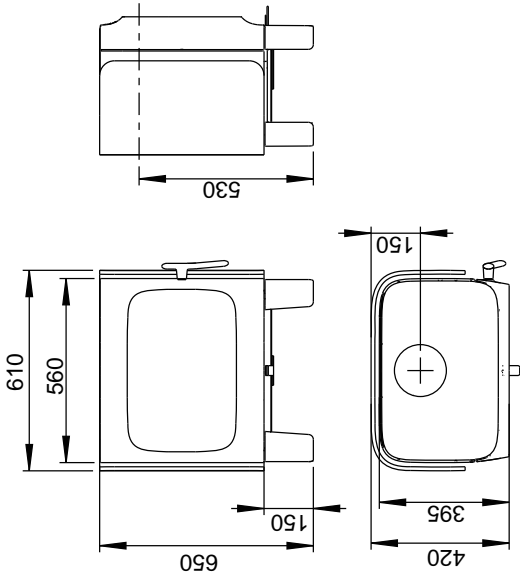
Jøtul F 305 C B (socle)



\* Amenée d'air frais



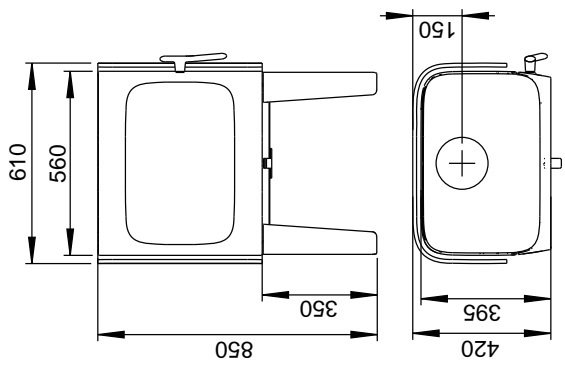
Jøtul F 305 C SL (pieds courts)



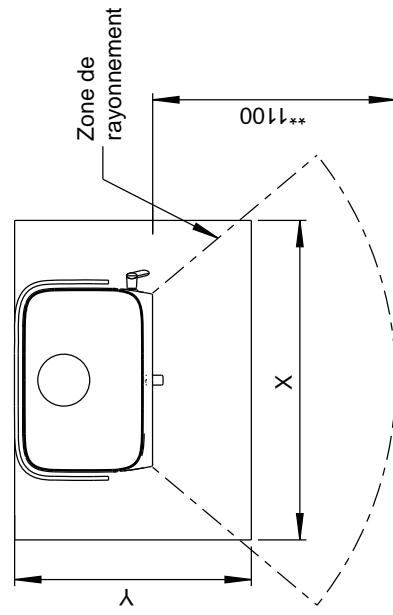
Le poêle Jøtul F 305 C SL (pieds courts) peut uniquement être installé sur des sols où aussi bien la surface que la construction en soi sont en matériaux non combustibles. La surface non combustible doit présenter un prolongement d'au moins 500 mm devant le poêle.

Remarque : Nous déconseillons d'installer le poêle sur un plancher chauffant (à eau ou électrique).

Jøtul F 305 C LL (pieds longs)



Plaque de sol

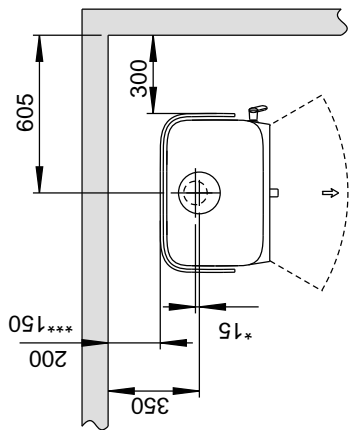


Dimensions minimales de la plaque de sol  
X/Y = Conformes aux lois et règlements en vigueur.  
\*\* Pas de matériaux inflammables.

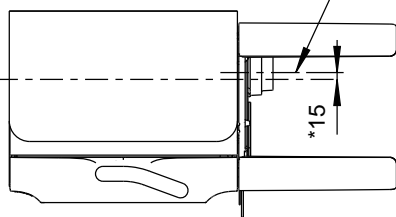
Jøtul F 305 C

Distance minimale par rapport à un mur inflammable

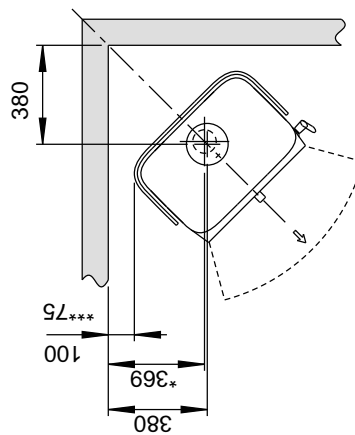
Mur inflammable



Centre de conduit de fumée



Centre d'amenée d'air frais



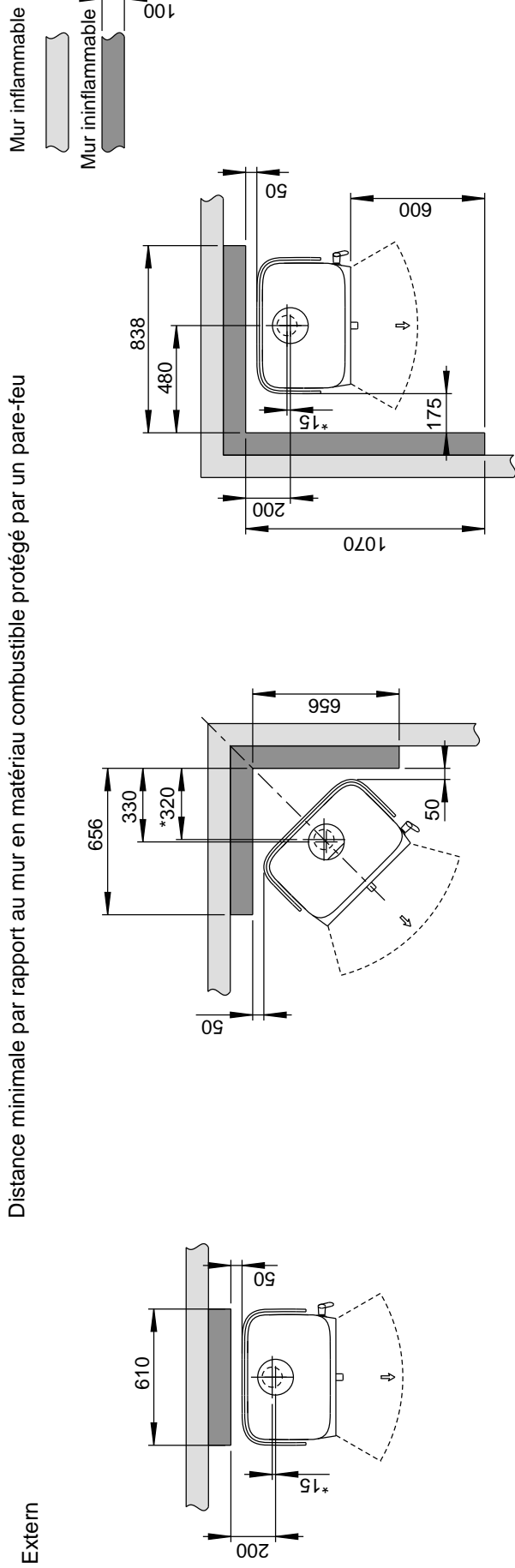
\* Aménée d'air frais

\*\*\* Distance par rapport à un mur inflammable avec conduit semi-isolé / tuyau avec bouclier thermique

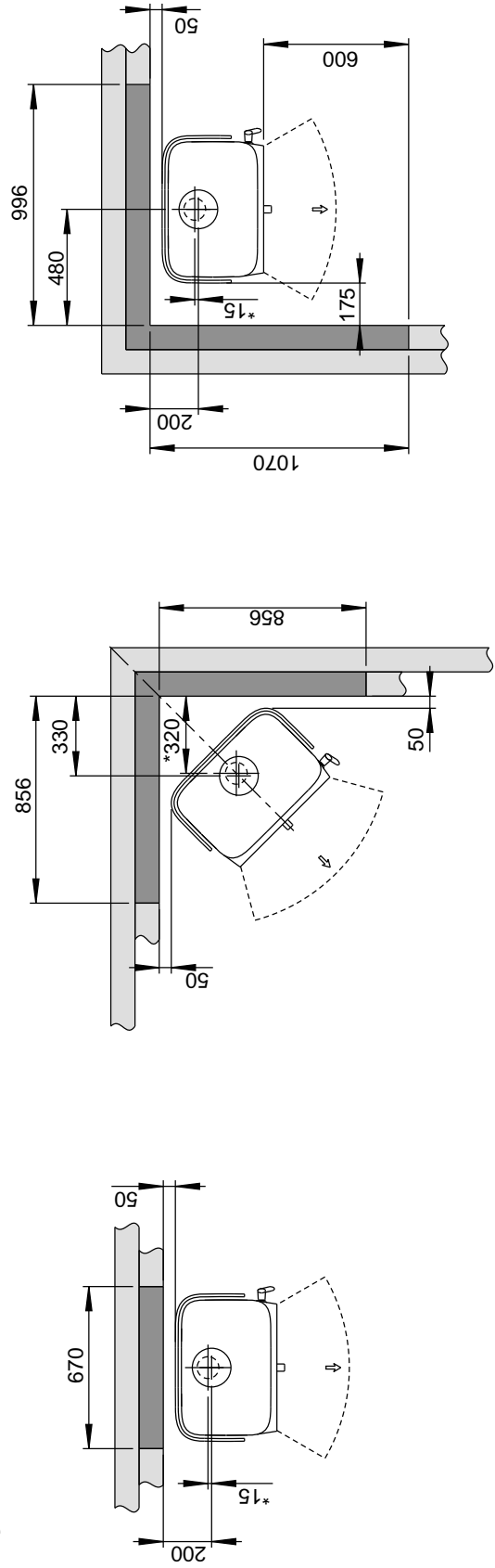
Fig. 1d C

Jøtul F 305 C

Distance minimale par rapport au mur en matériau combustible protégé par un pare-feu



Intégré



\* Aménagé d'air frais

# FRANCAIS

## Amenée d'air frais

Dans une maison bien isolée, l'air utilisé pour la combustion doit être renouvelé. Ceci est particulièrement important dans une maison avec ventilation mécanique. Plusieurs méthodes sont possibles. Le plus important est de faire arriver l'air dans la pièce où le poêle est installé. Le clapet de mur extérieur doit être placé le plus près possible du poêle et doit pouvoir se fermer lorsque le poêle n'est pas utilisé.

Il convient de se conformer à la réglementation locale et nationale du bâtiment concernant la prise d'air extérieur.

**S'assurer régulièrement que les entrées d'air de la pièce où le poêle est installé ne sont pas obstruées.**

## Système de combustion fermé

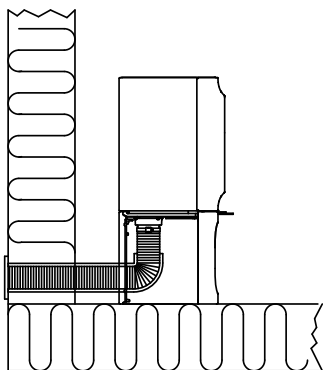
Il convient d'utiliser le système de combustion fermé du poêle dans les habitations de construction récente, étanches à l'air. L'air extérieur de combustion est raccordé par l'intermédiaire d'un tuyau d'aération via le mur ou le sol.

## Arrivée d'air

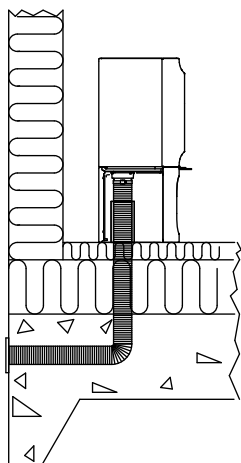
Le volume d'air de combustion des produits Jøtul est d'environ 20 à 40 m<sup>3</sup>/h. L'arrivée d'air frais peut être raccordée directement au poêle Jøtul F 305 par :

- la base
- par un tuyau flexible depuis l'extérieur ou la cheminée (seulement si celle-ci dispose d'une conduite propre pour l'air frais) et vers le raccord d'air frais de l'appareil.

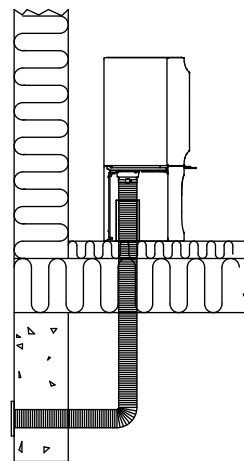
**Fig. 2A**, par un mur



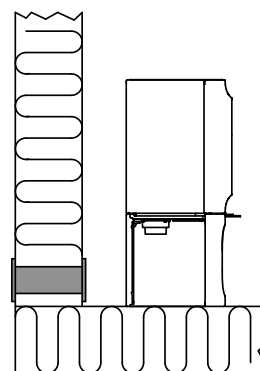
**Fig. 2B**, par le sol et la plaque de sol



**Fig. 2C**, par le sol et la cave



**Fig. 2D**, indirectement par un mur



## 4.0 Installation

Assurez-vous que l'appareil est en bon état avant de procéder à l'installation.

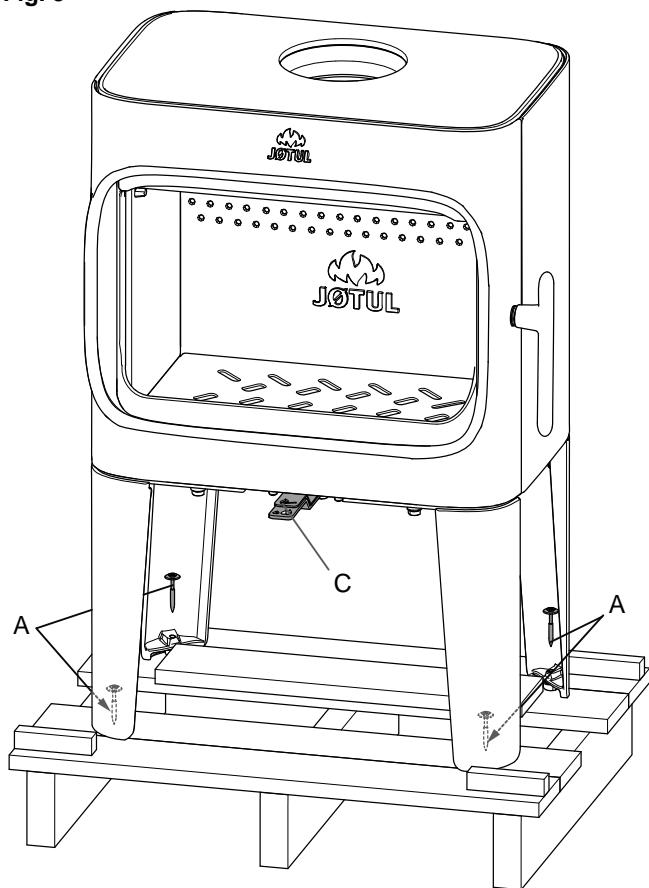
L'appareil est lourd ! Prévoyez de l'aide pour le montage et la mise en place.

**Remarque :** Assurez-vous que les meubles et autres articles ménagers ne soient pas trop près et risquent d'être séchés par le poêle.

**Remarque :** Lisez attentivement le guide d'installation et d'utilisation avant d'installer le poêle !

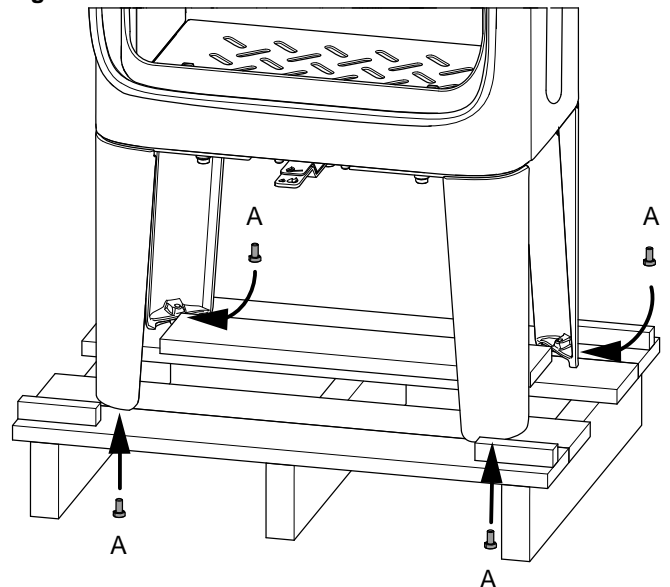
### 4.1 Avant l'installation - Jøtul F 305 avec pieds

Fig. 3



1. Retirer les quatre vis de transport (**A**) qui fixent le poêle sur la palette en bois.
2. Laisser le poêle en place sur la palette de transport.
3. Retirer les gants du cendrier.
4. Sortir le déflecteur, le pare-cendres, la sole poêle et le sachet de vis du poêle.
5. Vérifier que les commandes de réglage (**C**) se déplacent librement.

Fig. 4

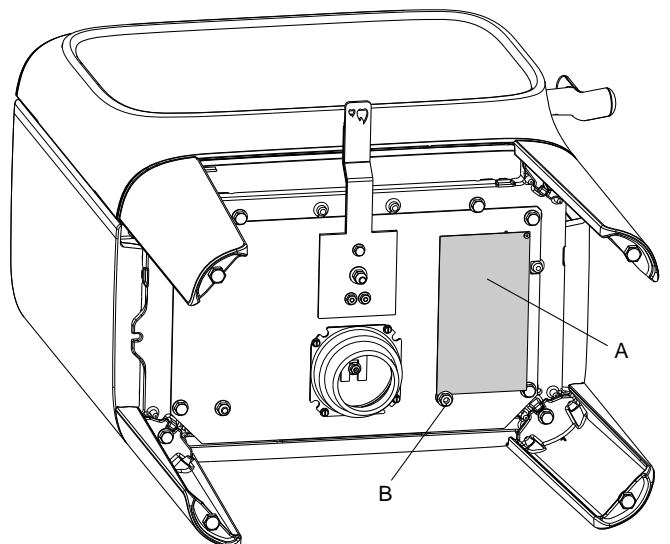


6. Installer les vis de réglage de la hauteur avec des bouchons en plastique (**A**) placés dans le sachet de vis.
7. Retirer le poêle de la palette.
8. Mettre en place le poêle et ajuster sa position avec les vis de réglage en hauteur. **Remarque :** Prendre en compte la hauteur de la plaque de sol. Effectuer un marquage sur le mur s'il est prévu d'avoir une sortie arrière pour le conduit de fumée et une amenée d'air frais extérieur.

### Plaque d'homologation

Jøtul F 305 avec pieds longs

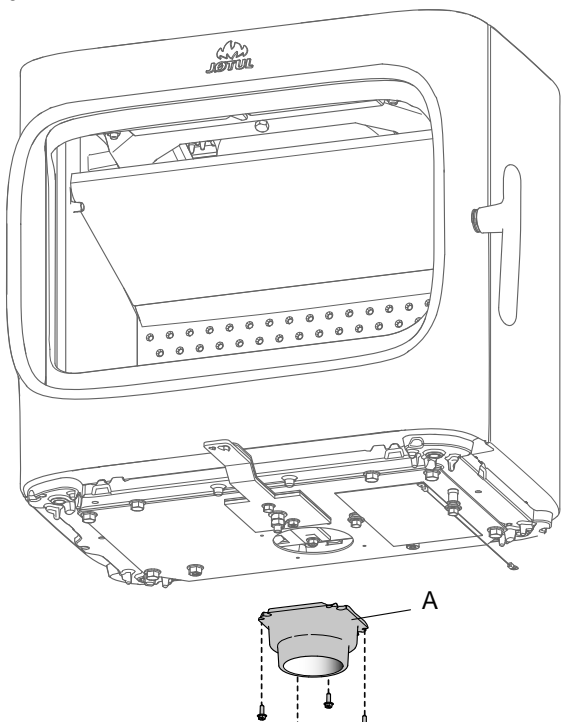
Fig. 5



1. Retirer la plaque d'homologation (**A**) du cendrier et la fixer à l'aide de l'écrou (**B**), comme indiqué. L'écrou doit être uniquement serré avec les doigts. **Remarque :** Ne pas couper le fil utilisé pour la fixation de la plaque.

# FRANCAIS

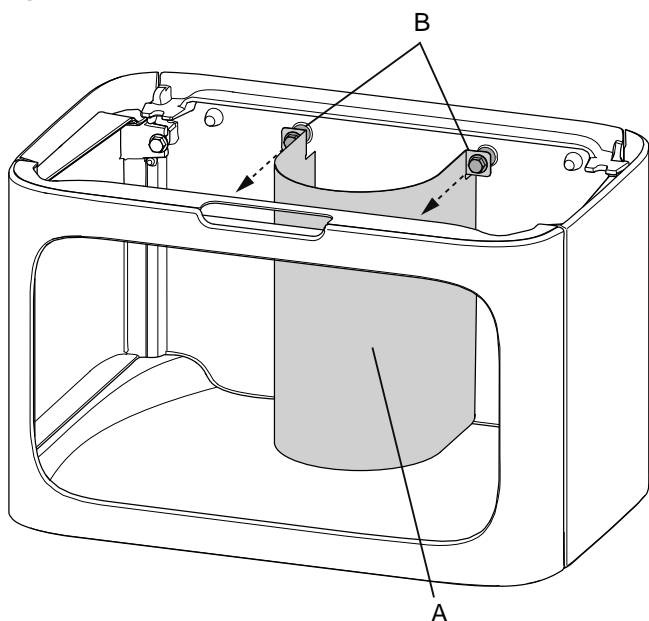
Fig. 6



2. Si l'arrivée d'air extérieur n'est pas utilisée, le connecteur d'air extérieur (A) peut être déposé, le cas échéant. Retirer les quatre vis utilisées pour fixer le connecteur d'air extérieur, puis le connecteur lui-même. (**Pour les produits avec socle** : Si nécessaire, vous pouvez dévisser l'écran thermique sous le poêle afin de faciliter le démontage du connecteur d'air extérieur.

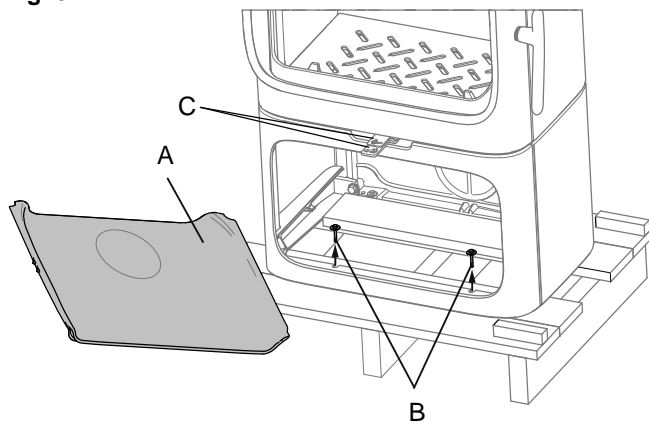
## 4.2 Avant l'installation - Jøtul F 305 avec socle

Fig. 7



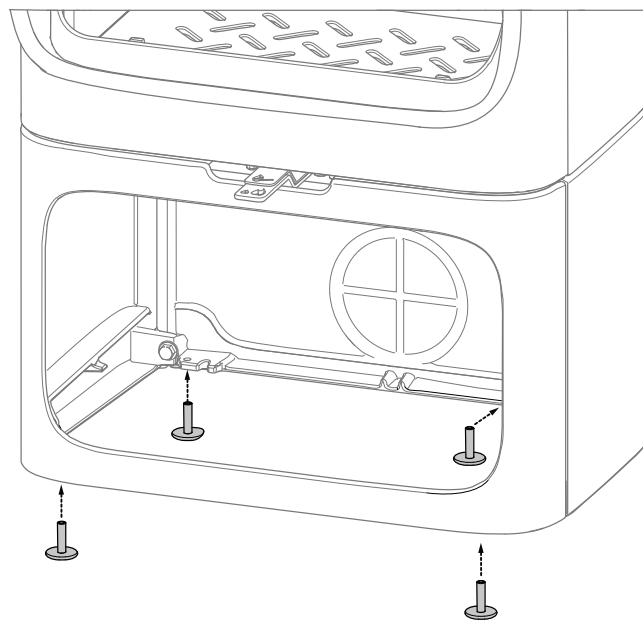
1. Commencer par retirer le couvercle de l'air extérieur (A) en desserrant les vis (B).

Fig. 8



2. Retirer les gants du cendrier.
3. Sortir le déflecteur, le pare-cendres et le sachet de vis du poêle.
4. Vérifier que les commandes de réglage (C) se déplacent librement.
5. Retirer la plaque de fond (A) en saisissant le coin avant gauche. Soulever la plaque et la retirer du socle dans un angle.
6. Retirer les quatre vis de transport (B) qui fixent le poêle sur la palette en bois.
7. Retirer le poêle de la palette et le mettre en place (**voir fig. 1**).

Fig. 9



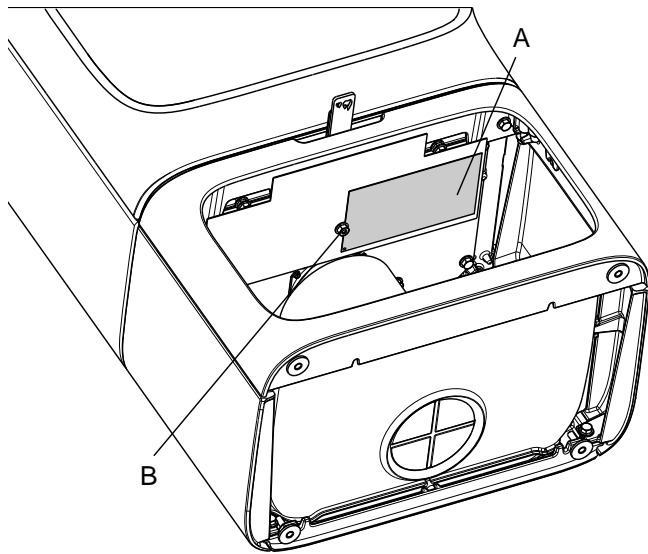
8. Ajuster le socle avec des vis de réglage de la hauteur à l'aide de la clé six pans placée dans le sachet de vis. **Remarque** : Prendre en compte la hauteur de la plaque de sol.
9. Effectuer un marquage sur le mur s'il est prévu d'avoir une sortie arrière pour le conduit de fumée et une amenée d'air frais extérieur, (**voir fig. 1**).
10. S'il est prévu d'avoir une sortie arrière pour le conduit de fumée et une amenée d'air frais extérieur, dégager le poêle du mur et préparer les raccordements.



## Étiquette d'homologation

Jøtul F 305 avec socle

Fig. 10

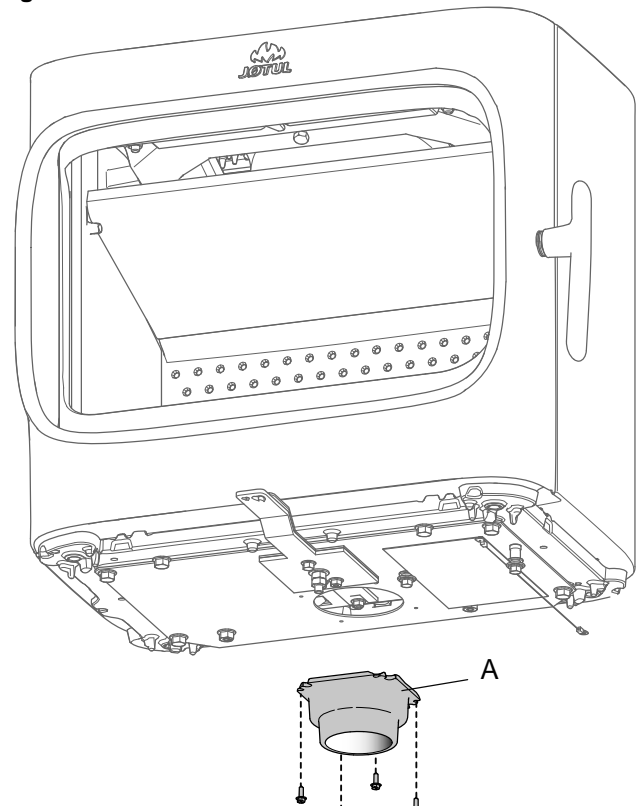


1. Retirer la plaque d'homologation **(A)** du cendrier et la fixer à l'aide de l'écrou **(B)**, comme indiqué. L'écrou doit être uniquement serré avec les doigts. **Remarque : Ne pas couper le fil utilisé pour la fixation de la plaque.**

## 4.2 Installation

Si l'arrivée d'air extérieur n'est pas utilisée

Fig. 11



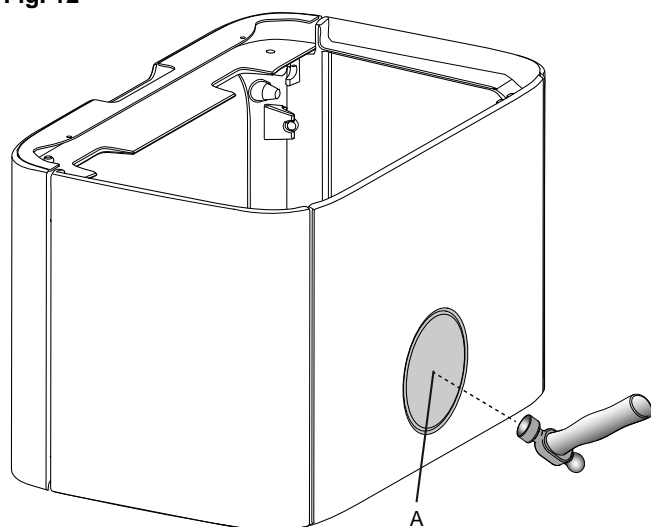
2. Si l'arrivée d'air extérieur n'est pas utilisée, le connecteur d'air extérieur **(A)** peut être déposé, le cas échéant. Retirer les quatre vis utilisées pour fixer le connecteur d'air extérieur, puis le connecteur lui-même. **(Pour les produits avec socle :** Si nécessaire, vous pouvez dévisser l'écran thermique sous le poêle afin de faciliter le démontage du connecteur d'air extérieur.
3. Monter la plaque de convection à sa place après avoir retiré le connecteur d'air extérieur.

# FRANCAIS

## Raccordement de l'air extérieur à travers le socle

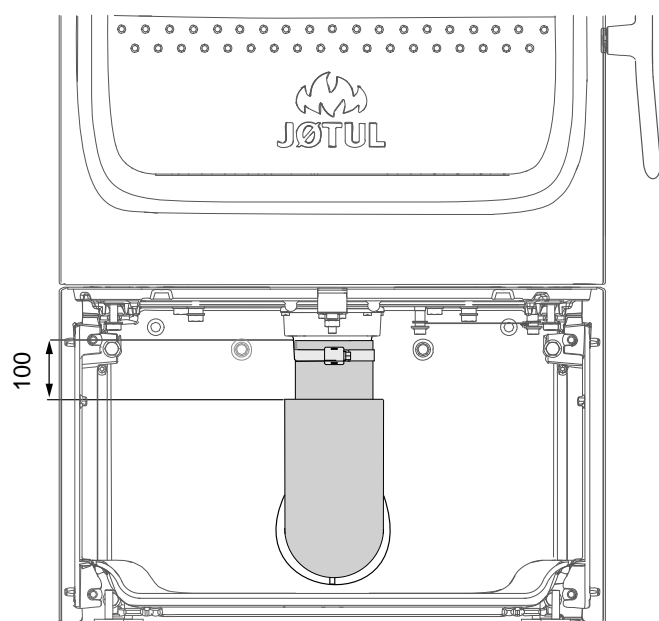
A travers la sortie arrière dans le socle

Fig. 12



1. Placer un morceau de carton à l'intérieur de la plaque arrière pour empêcher des pièces du couvercle d'endommager le socle. Défoncer le couvercle avec un marteau.

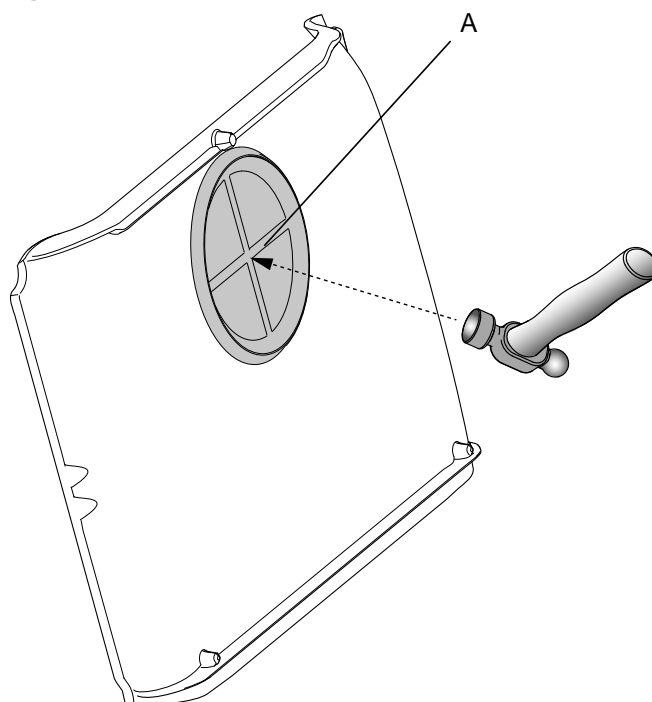
Fig. 13



2. Voir les instructions d'installation qui suivent avec le kit d'air extérieur.
3. Fixer le tuyau au connecteur de l'air extérieur à l'aide d'un collier de serrage. L'isolant du tuyau d'arrivée d'air extérieur se termine à env. **100 mm au-dessous** du le poêle.

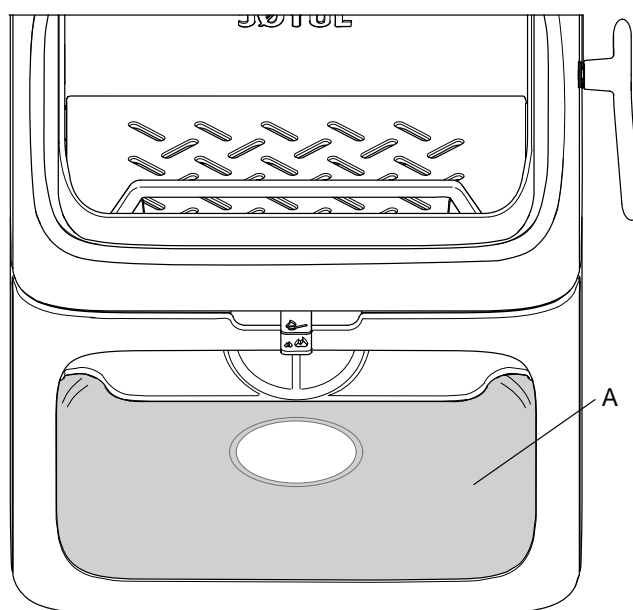
## Raccordement de l'air extérieur à travers la plaque de fond dans le socle

Fig. 14



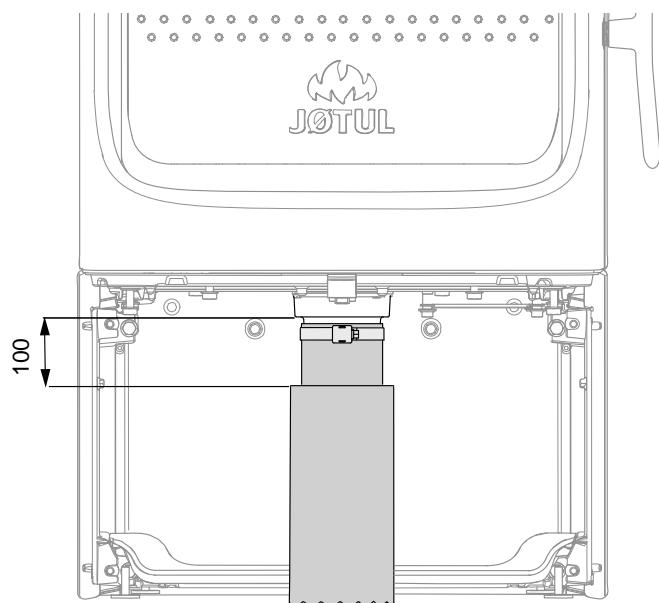
1. Placer un morceau de carton à l'arrière de la plaque de fond avant de défoncer le couvercle (**A**) avec un marteau, afin d'éviter que les pièces endommagent les surfaces environnantes.

Fig. 15



2. Remonter la plaque de fond.
3. Placer le poêle dans la position prévue pour son utilisation. **Voir fig. 1** pour l'emplacement correct en ce qui concerne les distances de sécurité.

Fig. 16



4. Voir les instructions d'installation qui suivent avec le kit d'air extérieur.
5. Fixer le tuyau au connecteur de l'air extérieur à l'aide d'un collier de serrage. L'isolant du tuyau d'arrivée d'air extérieur se termine à env. **100 mm au-dessous** du poêle.

## 4.3 Cheminées et conduits

- Le poêle peut être branché à une cheminée et à un conduit approuvés pour les poêles à combustible solide, avec les températures de fumées spécifiées dans la section «**2.0 Données techniques**».
- La section minimale de la cheminée doit correspondre à celle du conduit. Pour calculer la section adéquate de la cheminée, voir la section «**2.0 Données techniques**».
- Plusieurs poêles à combustible solide peuvent être raccordés à la même cheminée si la section de la cheminée et la réglementation le permettent.
- Le raccordement à la cheminée doit être réalisé conformément aux **D.T.U. 24.1** ; ainsi qu'aux instructions d'installation du fournisseur de la cheminée.
- Procéder à un montage d'essai du poêle avant de percer un trou dans la cheminée. Voir **fig. 1** pour les cotes.
- Raccordement arrière : veiller à ce que le conduit de raccordement soit incliné vers le haut.
- Utiliser un coude de conduit doté d'une trappe ou un té ou siphon afin de permettre les opérations de ramonage suivant règlement.
- Veiller à ce que les raccordements soient souples afin d'empêcher toute fissure lors de l'installation.
- Tirage recommandé; Voir également les sections «**2.0 Données techniques**». En cas de tirage trop important, utiliser un clapet ou un modérateur de tirage.

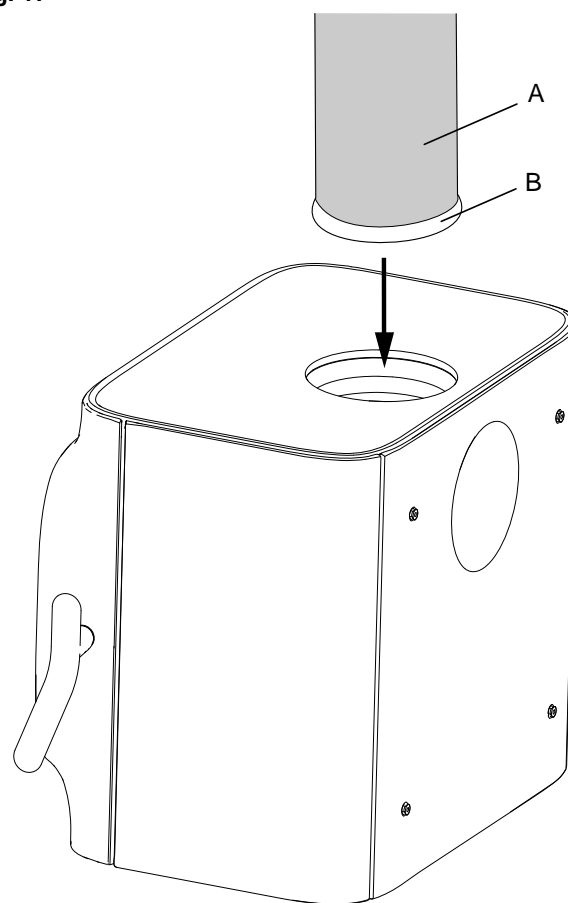
## Grille de protection pour outil de ramonage

**Remarque** : Quand une cheminée en acier est installée à la sortie par le haut, une grille de protection pour outil de ramonage doit toujours être installée à la sortie supérieure (équipement optionnel).

## 4.5 Montage d'un conduit de fumée avec sortie par le haut

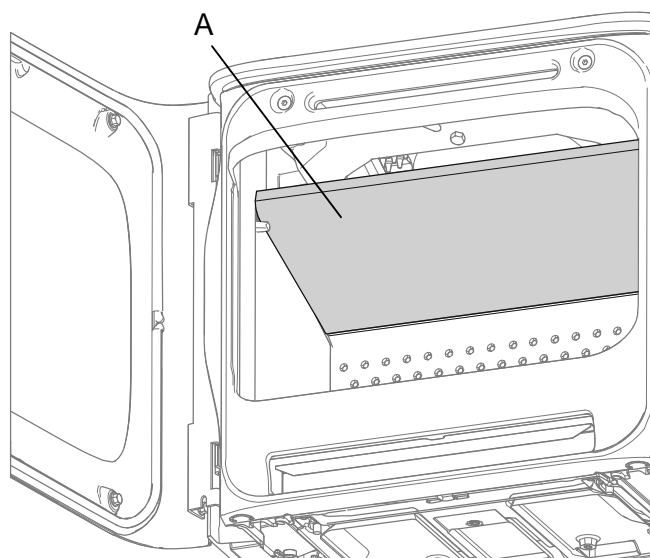
Le produit est livré avec un conduit d'évacuation de la fumée prévu pour une sortie par le haut.

Fig. 17



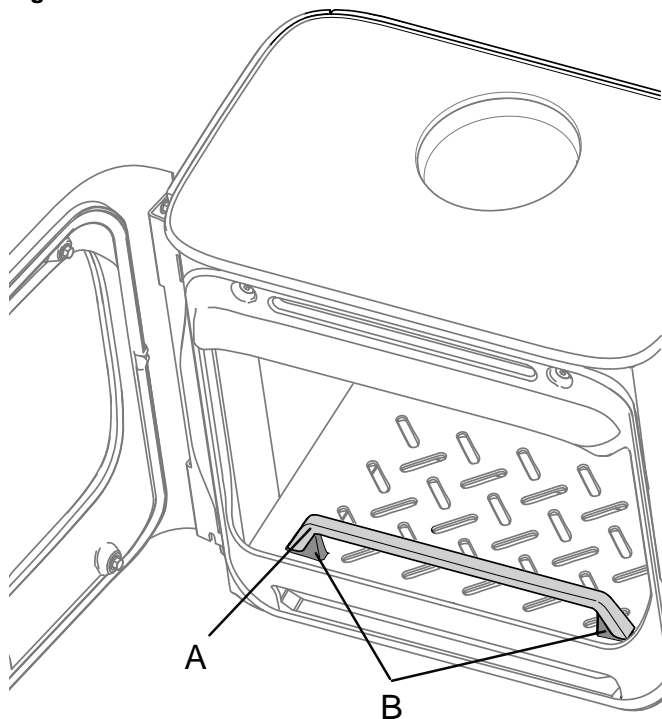
1. Emmancher le conduit de fumée (**A**) à travers la plaque supérieure, puis le placer dans la sortie de fumée par le haut.
2. Parfaire l'étanchéité avec un joint (**B**).

Fig. 18



3. Placer le déflecteur (A) comme indiqué dans la figure.

Fig. 19

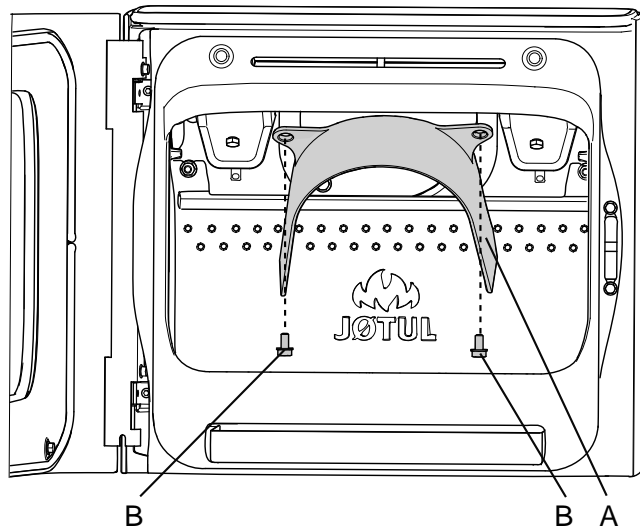


4. Monter la barre pare-bûches (A) sur les boutons (B).

## 4.6 Montage d'un conduit de fumée avec sortie par l'arrière

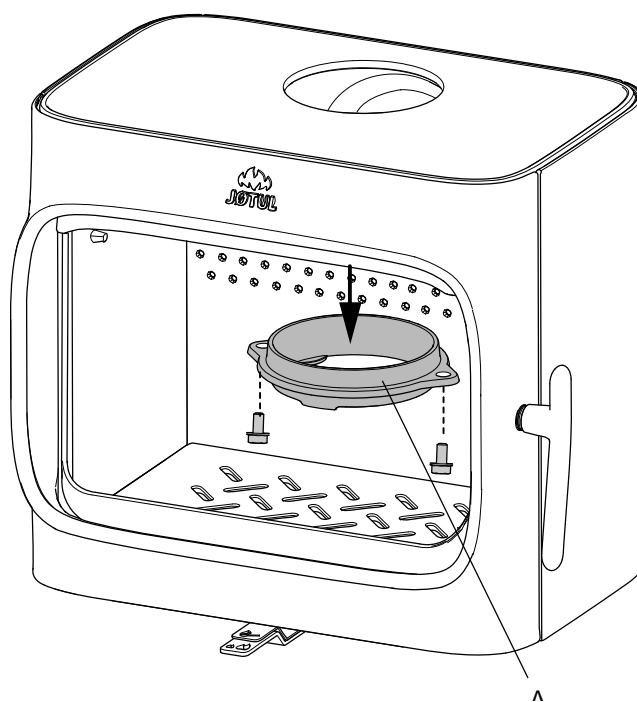
Le produit est livré avec un conduit d'évacuation de la fumée prévu pour une sortie par le haut. Si vous souhaitez une évacuation par l'arrière, procédez comme suit :

Fig. 20



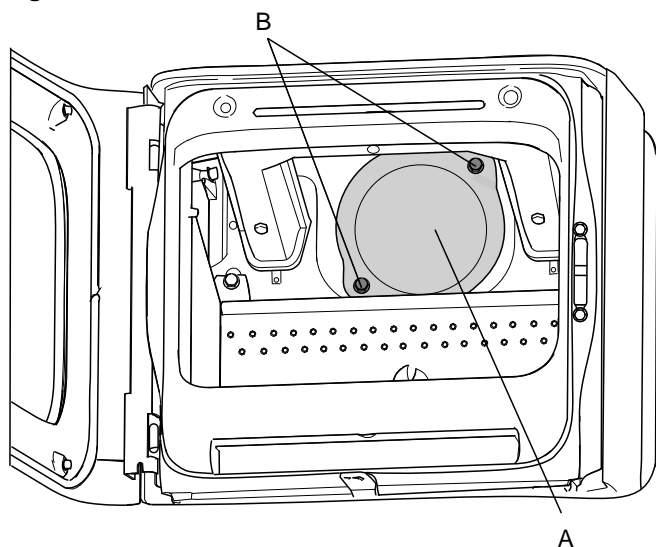
1. Positionner correctement l'appareil. Voir la **fig. 1**.
2. Desserrer les vis (B) et retirer le déflecteur (A).

Fig. 21



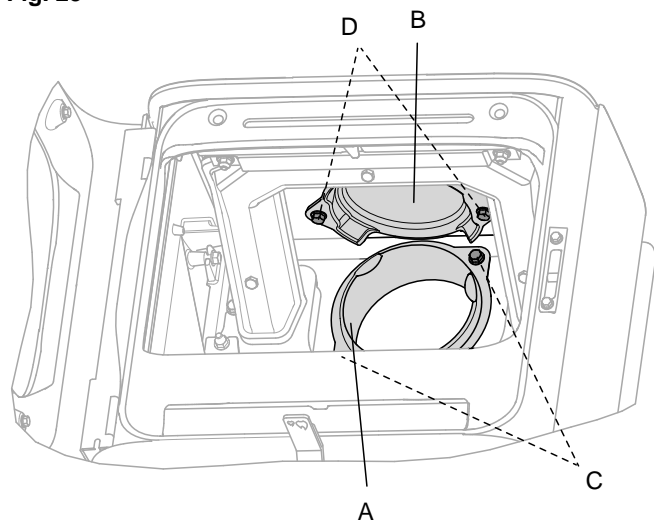
3. Dévisser la buse (A) de la sortie par le haut.

Fig. 22



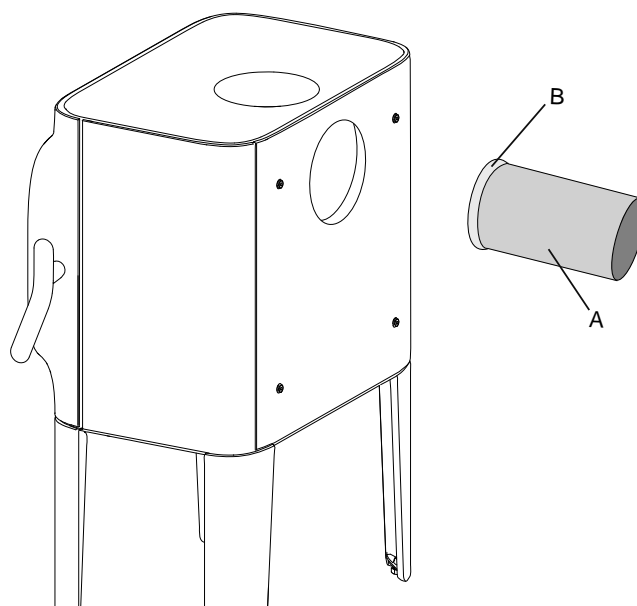
4. Desserrer les vis **(B)** et enlever le couvercle **(A)** de la sortie arrière de l'intérieur du poêle.

Fig. 23



5. Fixer la sortie des fumées **(A)** à la sortie à l'arrière avec les deux vis **(C)** depuis l'intérieur du poêle.
6. Fixer le couvercle **(B)** à la sortie par le haut avec les deux vis **(D)** depuis l'intérieur du poêle.
7. Fixer le déflecteur **(fig. 20 A)**.

Fig. 24



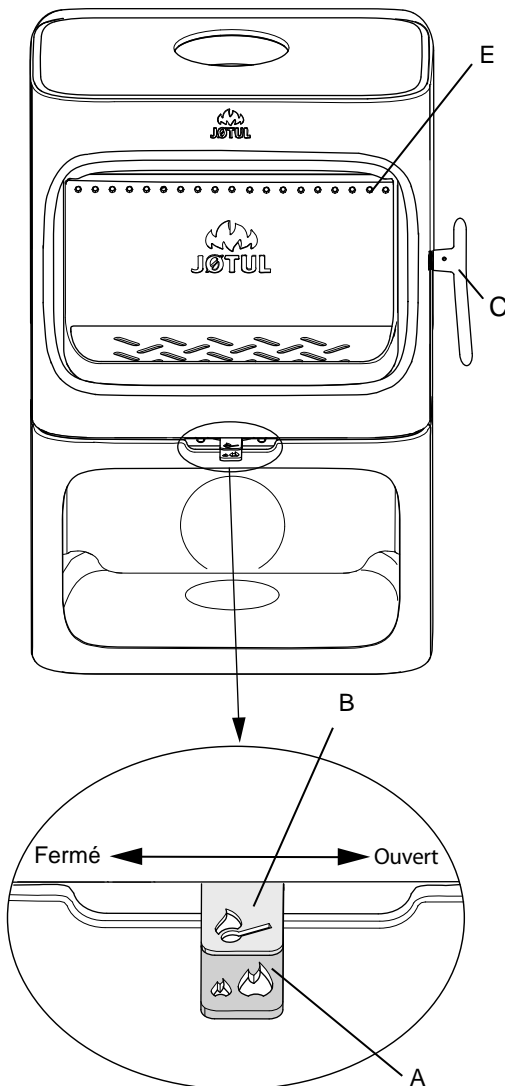
8. Placer le joint d'étanchéité **(B)** sur le bord du conduit de fumée **(A)**.

# FRANCAIS

## 4.6 Test de fonctionnement

Inspectez toujours les poignées de commande une fois l'appareil monté. Les éléments mobiles doivent fonctionner librement.

Fig. 25



**Le poêle Jøtul F 305 est équipé des commandes suivantes :**

### Registre d'air (A)

Déplacer vers la gauche : Fermé  
Déplacer vers la droite : Ouvert

### Registre d'allumage (B)

Déplacer vers la gauche : Fermé  
Déplacer vers la droite : Ouvert

### Poignée de porte (C)

Ouvrir en tirant sur la poignée.

**Hauteur d'empilage (E) pour le bois (les trous ne doivent pas être recouverts).**

## 5.0 Utilisation au quotidien

### Odeurs perceptibles lors de la première utilisation du poêle

Lors de la première utilisation, le poêle peut émettre un gaz irritant et dégager des odeurs désagréables. Ceci se produit seulement lorsque la peinture est neuve. Ce gaz n'est pas toxique, mais il est recommandé de bien aérer la pièce. Maintenir un tirage élevé dans le poêle jusqu'à qu'aucun gaz, fumée ou odeur ne puisse être détecté.

### Conseils de chauffage

**Remarque :** Il est recommandé d'entrer les bûches qui ont été stockées à l'extérieur ou dans une pièce froide 24 heures avant de les brûler afin de les amener à température ambiante. Il existe différentes manières de chauffer le poêle, mais soyez toujours attentif à ce que vous y mettez. Voir le chapitre intitulé « La qualité du bois ».

Utiliser le poêle en dépit d'une faible arrivée d'air provoque une combustion insuffisante, réduit l'efficacité énergétique et augmente les émissions de particules, de noir de carbone et d'autres composants dangereux pour la santé et l'environnement.

Important ! Une alimentation en air insuffisante entraîne une mauvaise combustion, des émissions élevées et un faible niveau d'efficacité.

### La qualité du bois

Par bois de qualité, nous entendons les essences les plus courantes telles que bouleau, épicéa et pin ou hêtre, chêne, érable. Suivant les pays.

**Les bûches doivent sécher afin que leur teneur en eau ne dépasse pas 20 %.**

Pour cela, il convient de couper le bois à la fin de l'hiver. Fendez-les et empilez-les pour permettre à l'air de bien circuler. Recouvrez les piles afin de protéger les bûches doivent sécher pendant 24 mois. Entrez les bûches dans la maison au début de l'automne en vue de leur utilisation pendant l'hiver qui suit.

**Soyez particulièrement attentif à ne jamais brûler les matériaux suivants dans le poêle :**

- Les déchets ménagers, les sacs en plastique, etc.
- Le bois peint ou imprégné (très toxique).
- Le bois contreplaqué
- Le bois qui est resté dans l'eau
- Les chutes de menuiserie dont le bois est trop sec.
- Le bois de récupération de chantier

*Ceux-ci risquent d'endommager l'appareil et ce sont aussi des polluants.*

**Remarque :** N'employez jamais de l'essence, de la paraffine, de l'alcool (méthyllique) ou tout liquide similaire pour allumer le feu. Vous risqueriez de vous blesser sérieusement et d'endommager l'appareil.

**Bois d'allumage (bois fendu menu) :**

Longueur : max. 41 cm  
 Diamètre : 2 à 5 cm  
 Quantité nécessaire à l'allumage : 6 à 8 morceaux

**Bois (bois fendu) :**

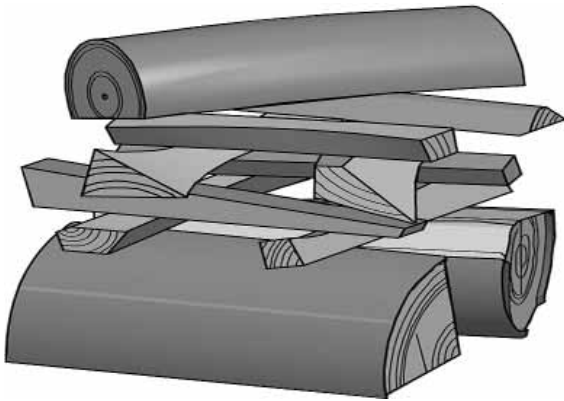
Longueur recommandée : 30 à 40 cm  
 Diamètre : Environ 8 cm  
 Ajouter du bois toutes les : 45 - 50 minutes environ  
 Taille du feu : 1,8 kg (puissance nominale)  
 Quantité nécessaire à l'allumage : x2  
 Quantité de bois d'allumage max. : 2,4 kg

La puissance de chauffage nominale s'obtient lorsque le registre d'air est ouvert à environ 50 % (Fig. 25).

**Premier allumage**

Ouvrir le registre d'air frais et le registre d'allumage en tirant les poignées (Fig. 25 A et B) à fond. Si nécessaire, maintenir la porte légèrement ouverte.

Fig. 26



- Disposez deux bûches au fond du poêle et empilez le bois d'allumage en strates croisées successives.
- Pour finir, placez une bûche de taille moyenne au sommet de la pile de bois.
- Placez 2 ou 3 briquettes sous la plus haute strate de bois d'allumage puis allumez le feu. **Remarque : La hauteur maximale de la pile de bois ne doit pas dépasser la ligne de trous horizontale.** Ne pas recouvrir les trous.
- Une fois que le feu a bien pris, fermez le registre d'allumage (Fig. 25 B).
- Si le flux d'air est normal, vous pourrez fermer la porte et le feu continuera à brûler de lui-même.
- Vous pouvez régler la vitesse de combustion pour obtenir le degré de chauffage souhaité en ajustant le registre d'air frais (Fig. 25 A).
- Vérifiez que la postcombustion (combustion secondaire) démarre. On le voit aux flammes jaunes, dansantes, devant les trous sous le déflecteur.

**Ajouter du bois**

Alimentez le poêle régulièrement mais n'ajoutez que de petites quantités de combustible à la fois. Si la combustion est trop vive, la contrainte thermique dans la cheminée risque de devenir excessive. Faites preuve de modération. Évitez les feux couvants car ils sont les plus polluants. Le feu est parfait lorsque le bois brûle bien et que la fumée qui sort de la cheminée est pratiquement invisible.

**5.1 Risque de surchauffe****Ne surchauffez jamais le poêle**

La surchauffe est provoquée par un excès de combustible et/ou d'air qui donne lieu à un dégagement de chaleur trop important. Lorsque le poêle devient incandescent par endroits, c'est un signe incontestable de surchauffe. Si le cas se produit, réduisez immédiatement l'apport d'air frais. En cas de surchauffe, la garantie ne pourrait pas être assurée.

Si vous pensez que la cheminée tire mal (tirage excessif ou insuffisant), contactez un spécialiste. Pour plus de détails, reportez-vous à «4.0 Installation » (Cheminée et conduit d'évacuation).

**5.2 Décendrage**

Le poêle Jøtul F 305 est équipé d'un cendrier qui permet de vider facilement les cendres.

- Attendez que le poêle soit froid pour retirer les cendres.
- Raclez les cendres au-dessus de la grille au fond du poêle pour qu'elles tombent dans le cendrier. Portez un gant ou une protection similaire pour vous protéger la main. Saisissez la poignée du cendrier et sortez les cendres. Ne laissez pas le cendrier se remplir complètement, au point d'empêcher les cendres de tomber dans le cendrier à travers la grille.
- Avant de refermer la porte, assurez-vous que le cendrier a été introduit jusqu'au fond.

**6.0 Maintenance****6.1 Nettoyage de la vitre**

Le poêle est équipé d'un système d'entrée d'air par le haut. L'air est aspiré au-dessus du poêle et circule le long de la vitre.

L'accumulation de suie sur la vitre est toutefois inévitable, la quantité de dépôts dépendant du taux d'humidité du combustible, des conditions de tirage et du réglage de l'entrée d'air supérieure. Une grande partie de cette suie est normalement consommée lorsque l'entrée d'air est ouverte à son maximum et en présence d'un feu vif dans le poêle.

**Un bon conseil !** Pour les opérations courantes de nettoyage, humidifier un essuie-tout ou du papier journal à l'eau chaude et l'imprégner de quelques cendres prélevées dans la chambre de combustion. Frotter la vitre avec ce papier puis rincer à l'eau claire et essuyer. Pour un nettoyage optimal, il est recommandé d'utiliser un nettoyant à vitres. Ne jamais projeter le produit directement sur la vitre : il risque de détériorer les fixations de la vitre et le joint, ce qui peut entraîner la cassure de la vitre.

# FRANCAIS

## 6.2 Nettoyage et élimination de la suie

Pendant l'utilisation, de la suie peut se déposer sur les surfaces internes du poêle. La suie est un bon isolant. Elle réduit donc le rendement thermique du poêle. Utiliser une brosse métallique pour retirer tout dépôt de suie dans le produit sauf sur les plaques en vermiculite.

Laisser brûler vivement afin d'éviter tout dépôt de goudron et d'eau dans le poêle. Un nettoyage annuel de l'intérieur du poêle est requis pour optimiser le rendement du produit. Cette opération peut être réalisée lors du ramonage des conduits et de la cheminée.

## 6.3 Ramonage des conduits d'évacuation vers la cheminée

Le ramonage des conduits doit s'effectuer à partir de la trappe de ramonage ou depuis l'intérieur du produit suivant les réglementations locales.

Commencez par retirer les déflecteurs inférieur et supérieur.

## 6.4 Inspection du poêle

Jøtul recommande que l'utilisateur contrôle personnellement et soigneusement le poêle suite à une opération de ramonage/nettoyage. Vérifier l'absence de fissures sur toutes les surfaces visibles. Vérifier également l'état et la bonne installation de tous les joints. Tout joint montrant des signes d'usure, de déformation ou de dureté doit être remplacé. Un appareil ne doit jamais fonctionner avec un composant défaillant.

Nettoyer soigneusement les gorges de joint, appliquer de la colle céramique (disponible auprès des distributeurs Jøtul), puis insérer correctement le joint sans tirer dessus. La colle sèche rapidement.

## 6.5 Entretien de la surface externe

La couleur des **produits peints** peut se ternir après plusieurs années d'utilisation. Avant d'appliquer une nouvelle couche de peinture, brosser et laver la surface peinte pour en éliminer toutes les particules.

Nettoyer les **produits émaillés** à l'aide d'un chiffon sec uniquement. Ne pas utiliser de savon ni d'eau. Éliminer les tâches à l'aide d'un nettoyant liquide (*nettoyant à four, etc.*).

Ne jamais poser aucun objet sur le couvercle du poêle. Ceci peut causer des dommages permanents à la peinture ou l'émail.

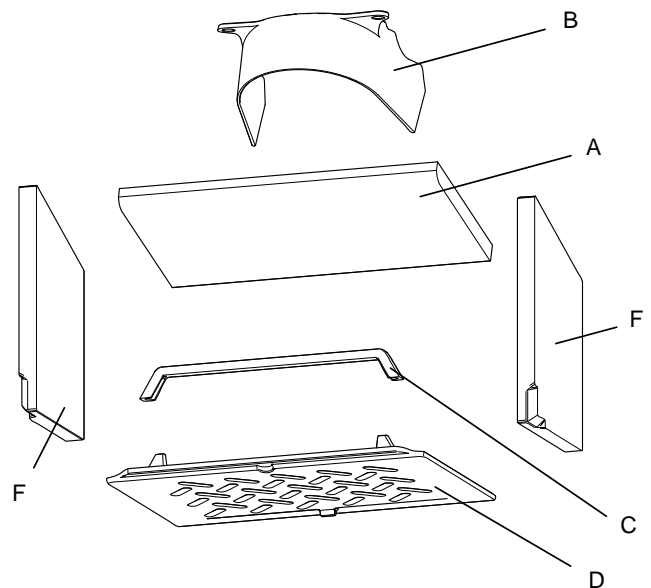
## 7.0 Entretien

**Avertissement ! Toute modification non autorisée du produit est interdite ! Utilisez uniquement des pièces détachées d'origine !**

### 7.1 Entretien/remplacement de pièces du poêle

**Remarque :** Utilisez les outils avec précaution ! Les plaques de vermiculite sont fragiles et pourraient être endommagées si elles étaient manipulées sans précaution.

Fig. 27

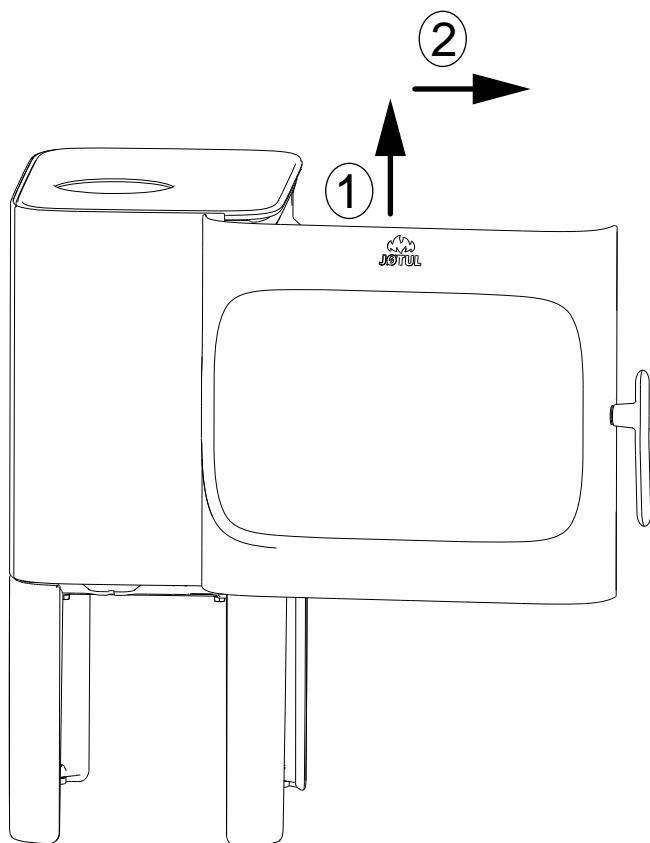


1. Saisir le bord arrière du déflecteur (A) et le tourner vers l'avant et vers le bas pour l'extraire du poêle.
2. La plaque de guidage (B) peut être démontée en desserrant les deux vis qui la maintiennent en place.
3. Barre pare-bûches (C) : Soulever la barre pare-bûches droit vers le haut et la retirer du poêle.
4. Grille à cendres (D) – Retirer d'abord la barre pare-bûches (C). Retirer le cendrier et dégager la grille à cendres (D) par dessous, de manière à pouvoir la saisir par dessus et de l'extraire du poêle.
5. Plaques de doublage latérales (F) : Commencer par retirer la barre pare-bûches (C) et le cendrier. Soulever e dégager ensuite les plaques de doublage latérales.



## 7.2 Démontage de la porte.

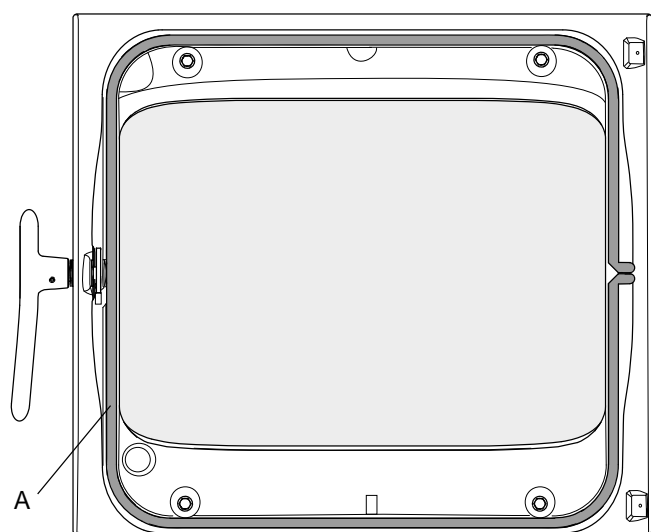
Fig. 28



1. Ouvrir la porte complètement. Soulevez-la puis dégagez-la des charnières.

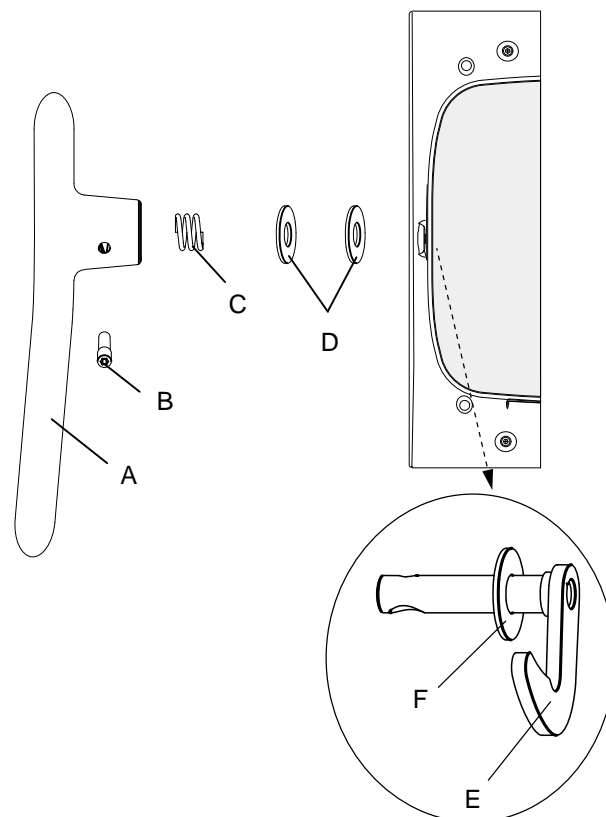
## 7.3 Remplacement de la vitre et des joints de la porte

Fig. 29



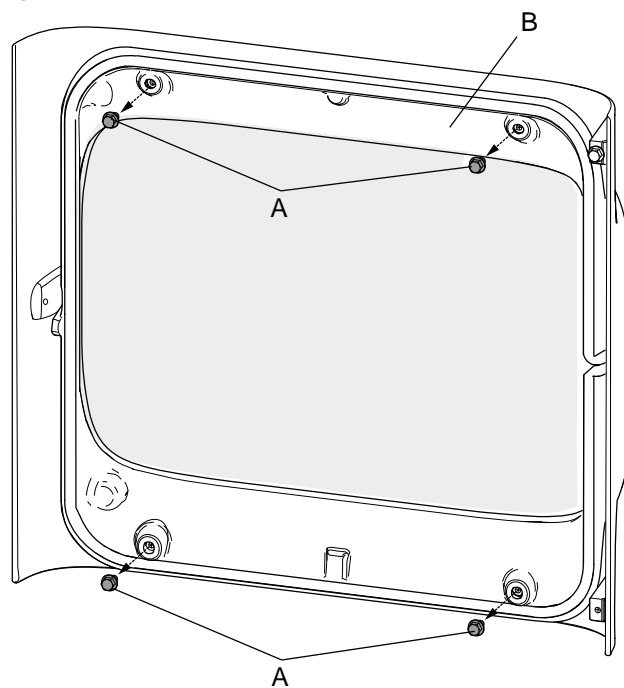
1. Retirer le joint (A) placé sur le côté intérieur de la porte, nettoyer la rainure du joint et coller un joint neuf.

Fig. 30



2. Desserrer la vis (B) et retirer la poignée (A).
3. Retirer le ressort (C) et les deux rondelles (D).
4. Retirer le crochet de porte (E) et la rondelle (F).

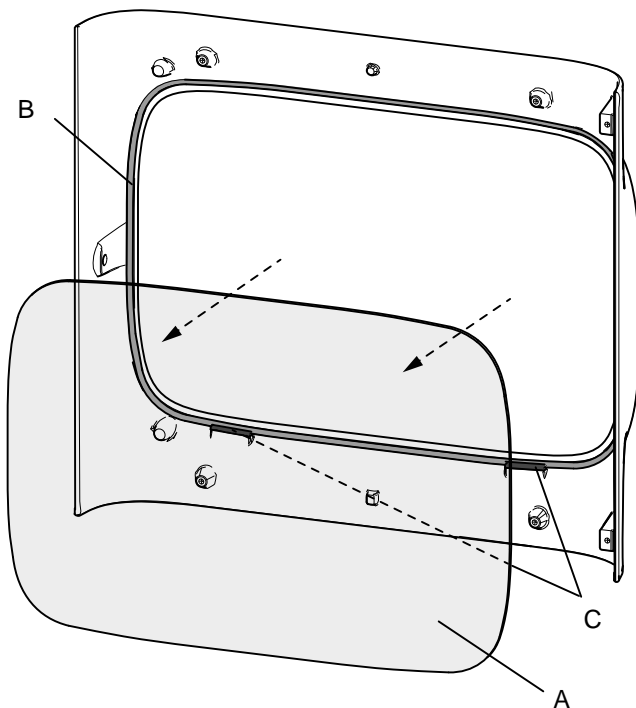
Fig. 31



5. Si un joint de vitre ou une vitre doivent être remplacés, retirer d'abord la poignée de porte (voir pos. 2-4).
6. Dévisser le support de vitre (B) maintenu à l'aide de 4 vis (A). Remarque : La vitre dans la porte n'est pas serrée. Veiller à ne pas heurter la vitre lorsque le support de vitre est desserré.

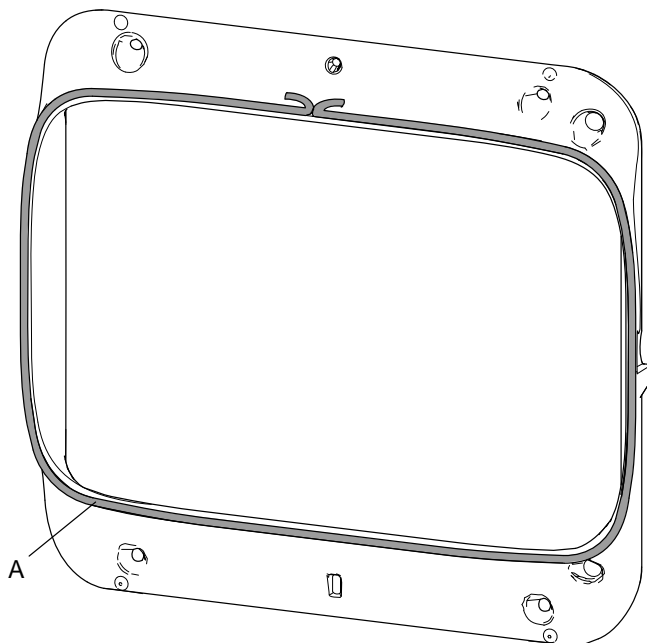
# FRANCAIS

Fig. 32



7. Retirer la vitre (A) délicatement. Retirer les joints (B) et (C), et nettoyer les rainures des joints.
8. Coller de nouveaux joints.

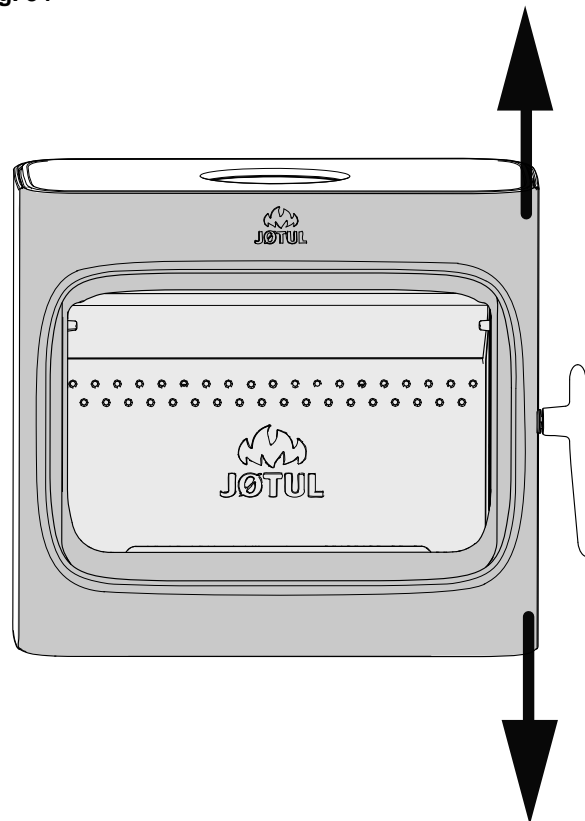
Fig. 33



9. Retirer le joint usagé (A) et nettoyer les rainures. Coller un nouveau joint.
10. Remonter toutes les parties, une fois tous les joints usagés ont été remplacés.

## Ajuster la porte

Fig. 34



1. La porte peut être légèrement ajustée vers le haut ou vers le bas du côté verrou de porte. **Remarque** : la porte ne peut pas être complètement fermée au moment de l'ajustement!

## 8.0 Équipements disponibles en option

### 8.1 Raccordement prise d'air extérieur

Raccordement prise d'air extérieur, Ø 80 mm - Réf. cat. 51047509.

Raccordement prise d'air extérieur, Ø 100 mm - Réf. cat. 51012164.

### 8.3. Dessus en pierre ollaire

Réf. cat. 51048022, BP  
Réf. cat. 51049314, WHE

### 8.4 Cendrier pour pieds

Réf. cat. 51047339, BP  
Réf. cat. 51047341, WHE

### 8.5 Grille de protection pour outil de ramonage

Réf. cat. 151608 (Ø 150 mm).

### 8.6 Pieds courts

Réf. cat. 51047318, BP  
Réf. cat. 51047340, WHE

## 9.0 Recyclage

### 9.1 Recyclage de l'emballage

- Votre poêle est livré avec les emballages suivants :
- Une palette en bois qui peut être sciée et brûlée dans le poêle.
- Des emballages en carton qui doivent être déposés dans une station de recyclage près de chez vous.
- Des sacs en plastique qui doivent être déposés dans une station de recyclage près de chez vous.

### 9.2 Recyclage du poêle

**Le poêle est composé de :**

- d'éléments métalliques qui doivent être déposés dans une station de recyclage près de chez vous.
- de verre qui doit être éliminé comme des déchets dangereux. Le verre dans le poêle ne doit pas être placé dans un conteneur de séparation à la source standard.
- de panneaux en vermiculite qui peuvent être déposés dans des conteneurs de déchets classiques.

## 10.0 Conditions de garantie

Applicables à partir du 1<sup>er</sup> Septembre 2016 à tout produit Jøtul acheté auprès du réseau de revendeurs agréés Jøtul.

Félicitations pour votre achat d'un appareil Jøtul !

Depuis 1853, Jøtul est un fabricant renommé de foyers, cheminées et inserts durables et d'excellente qualité. La grande qualité de nos produits nous permet d'offrir à nos clients une garantie longue durée, et ce, sans frais supplémentaires.

### Notre garantie couvre :

En plus de la garantie légale en vigueur, Jøtul France offre une garantie commerciale étendue à :

- 25 ans à compter de l'achat de l'appareil sur toutes les pièces en fonte des appareils à bûches, si vous enregistrez votre appareil sur le site [www.jotul.com/fr](http://www.jotul.com/fr) dans les 3 mois suivant votre achat. Nous vous conseillons d'imprimer et de conserver votre justificatif d'enregistrement de garantie avec votre preuve d'achat. A défaut d'enregistrement, la garantie commerciale sera de 5 ans à compter de l'achat de l'appareil sur ces mêmes pièces.
- 5 ans sur les pièces en acier des appareils à bûches.

La garantie s'applique uniquement si l'appareil a été installé par un revendeur agréé du réseau Jøtul, conformément à la réglementation en vigueur et aux instructions d'installation et d'utilisation décrites dans le manuel de l'appareil.

Les appareils réparés ou les appareils de remplacement, ne donnent en aucun cas droit à une prolongation de garantie. Ils sont donc garantis pour la durée restante de la garantie initiale.

### Notre garantie commerciale ne couvre pas :

- Les pièces d'usure, telles que les composants de la chambre de combustion (déflecteurs, joints, plaques de doublage, etc.), car ces pièces s'usent avec le temps lors d'une utilisation normale,
- Les vitres, la peinture, l'émail, les pierres naturelles, les éléments en béton et tous les revêtements décoratifs,
- Les dommages liés à une mauvaise utilisation : combustible inapproprié ou de mauvaise qualité, surchauffe, défaut d'entretien, non respect des instructions d'utilisation décrites dans le manuel de l'appareil, etc,
- Les dommages liés au transport ou à une mauvaise installation de l'appareil,
- Les cas impliquant des modifications de l'appareil sans le consentement de Jøtul ou l'utilisation de pièces qui ne sont pas d'origine,
- Les frais annexes (frais de port, déplacement, main d'œuvre, etc...), ni les dommages indirects.

La demande de garantie doit être effectuée auprès de votre revendeur agréé du réseau Jøtul, dans les 14 jours suivant la survenance du défaut. Voir liste de nos revendeurs sur notre site internet. Elle doit être accompagnée de votre preuve d'achat de l'appareil (facture) et de votre justificatif d'enregistrement de garantie.

Si Jøtul se trouve dans l'incapacité d'assumer la prise en charge sous garantie de votre appareil, Jøtul remplacera gratuitement votre produit par un appareil de puissance similaire.

Cette garantie est exclusive de toute autre garantie et prévaut sur toute autre garantie accordée par toute autre société du groupe Jøtul.







## Sluttkontroll av ildsteder

## Quality control of stoves and fireplaces

Checked

Utført	Kontrollpunkt	Controlled item
✓	Alle deler er med i produktet (ifølge struktur).	All parts are included.
✓	Alle festemidler er av korrekt type, og er korrekt anvendt.	Correct fastener items have been used and correctly applied.
✓	Overflater er i samsvar med Jøtuls kvalitetsstandarder.	Surfaces comply with Jøtul workmanship standards.
✓	Lukkemekanismer fungerer som de skal, og uten behov for unødige stor kraft.	Door locking mechanisms function correctly; excessive force is not needed.
✓	Produktet/serien møter kravet for lekkasjetest.	The product/lot complies with the leakage test requirement.
✓	Lakkerte/emaljerte overflater møter kravene i Jøtuls kvalitetsstandarder.	Paint/enamel surface finish complies with Jøtul workmanship standards.
✓	Produktet er fritt for utvendig kitt- eller limklin.	Surfaces are not contaminated by external stove cement or glue.
✓	Produktet har ingen sprekker i glass, støpejern eller andre deler.	There are no cracks in glass, cast iron or other parts.
✓	Pakninger er riktig lagt, og skjemmer ikke produktet ved stygge ender eller ved at pakningen er unødig synlig.	Gaskets are correctly applied and do not degrade product appearance (i.e. loose ends or excessive visible exposure).
✓	Dørpakninger er godt limt.	Door gaskets are firmly glued/ fixed to the door.
✓	Dørpakninger har tilfredsstillende pakningstrykk.	Door gaskets provide satisfactory sealing.
✓	Sjekk at det ikke "lyser gjennom" i dørpakning eller andre sammenføyninger.	Check for "light through" at door seals and other relevant locations.
✓	Trekkhender osv fungerer normalt.	The function of air valve handle etc is normal.

Jøtul bekrefter herved at dette produktet er kontrollert og funnet å være i samsvar med våre kvalitetsnormer.	Jøtul hereby confirm that this product has been QC inspected and found to comply with our quality standards.
<b>Lot. No. / Serie nr. - Checked by / kontrollert av</b>	

Cat.no. 10050105 -P01  
Jøtul AS, Nov, 2017

Jøtul pursue a policy of constant product development. Products supplied may therefore differ in specification, colour and type of accessories from those illustrated and described in the brochure.

Jøtul vise sans cesse à améliorer ses produits. C'est pourquoi, il se réserve le droit de modifier les spécifications, couleurs et équipements sans avis préalable.

#### **Quality**

Jøtul AS has a quality system that conforms to NS-EN ISO 9001 for product development, manufacturing, and distribution of stoves and fireplaces. This policy gives our customers quality and safety piece of mind as a result of Jøtul's vast experience dating back to when the company first started in 1853.

#### **Qualité**

Le système de contrôle de la qualité de Jøtul AS est conforme à la norme NS-EN ISO 9001 relative à la conception, à la fabrication et à la distribution de poêles, poêles et inserts. Cette politique nous permet d'offrir à nos clients une qualité et une sécurité reposant sur la vaste expérience accumulée par Jøtul depuis sa création en 1853.



Jøtul AS,  
P.o. box 1411  
N-1602 Fredrikstad,  
Norway  
[www.jotul.com](http://www.jotul.com)