

Jøtul C 24

Jøtul C 24
Manual Version Po4

UK - Installation and Operating Instructions	3
Conformiteitsverklaring - België	22
NL - Installatiehandleiding en Technische gegevens	23
Déclaration de conformité - la Belgique	42
FR - Manuel d'installation et d'utilisation	43



Monterings- og bruksanvisningen må oppbevares under hele produktets levetid. These instructions must be kept for future references. Wir empfehlen Ihnen, die Montage- und Bedienungsanleitung für spätere Zwecke sorgfältig aufzubewahren. Ce document doit être conservé pendant toute la vie de l'appareil.



Requirements / Exigences / Requisitos / Requisiti / Vereisten / Forderungen	
Supplier / Fabricante / Fornitore / Vereisten / Lieferant:	Jøtul AS
Product models Produits concernés Modelos Modelli Product modellen Varianten der Feuerstelle	Jøtul C 24
Energy efficiency class / Classe énergétique / Clase de eficiencia energética / Classe energetica / Energie efficiëncy klasse / Energieeffizienz-Klasse	A
Direct heat output / Puissance réelle de sortie / Potencia calorífica emitida / Emissione di calore diretta / Directe warmte afgifte / Nennwärmeleistung	7,0 kW
Energy efficiency index / Index de rendement énergétique / Índice de eficiencia energética / Indice di efficienza energetica / Energie efficiëncy index / Energieeffizienz-Index	104,1
Efficiency at nominal heat output / Rendement à puissance nominale / Eficiencia al rendimiento nominal / Efficienza alla potenza nominale / Efficiency bij nominale warmte afgifte / Wirkungsgrad bei Nennheizleistung	78 %
<ul style="list-style-type: none"> • Any specific precautions that shall be taken when the local space heater is assembled installed or maintained. • Toutes les précautions spécifiques doivent être prises lors de l'assemblage, l'installation ou l'entretien de l'appareil. • Cualquier precaución específica que deba tenerse en cuenta durante el montaje, instalación o mantenimiento del equipo de calefacción • Precauzioni specifiche da prendere quando il riscaldatore viene assemblato, installato o mantenuto in uno spazio. • Eventuele specifieke voorzorgsmaatregelen die worden genomen wanneer de plaatselijke ruimteverwarming wordt gemonteerd, geïnstalleerd of onderhouden. • Besondere Maßnahmen bei Montierung, Installation und Wartung. 	<ul style="list-style-type: none"> • Fire safety precautions such as safety distances when installing, national standards, local codes and regulations. See the Instructions manual. • Les précautions d'incendie telles que les distances de sécurité lors de l'installation, le suivi des normes, les codes locaux et les réglementations nationales. Veuillez lire le manuel d'installation. • Precauciones frente a incendios como distancia de seguridad en la instalación, estándares nacionales, códigos locales y reglamentos. Lea el manual de instalación. • Precauzioni per la sicurezza antincendio come le distanze di sicurezza durante l'installazione, le normative nazionali e locali. Leggere il manual. • Brandveiligheidsmaatregelen, zoals veiligheidsafstanden bij installatie, nationale normen, lokale codes en voorschriften. Lees de installatiehandleiding. • Für brenntechnische Verhältnisse, wie z.B. Aufstellbedingungen und nationale Forderungen. Siehe die Montage- und Bedienungsanleitung.

Table of contents

1.0 Regulatory information3

2.0 Technical data3

3.0 Safety7

4.0 Installation7

5.0 Daily use18

6.0 Servicing 20

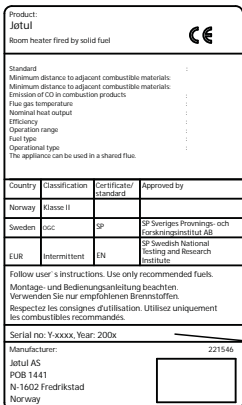
7.0 Maintenance 21

8.0 Optional Equipment 21

9.0 Recycling..... 21

10.0 Guarantee terms 21

Register your fireplace at jotul.com for a 25-year warranty.



On all our products there is a label indicating the serial number and year. Write this number in the place indicated in the installation instructions.

Always quote this serial number when contacting your retailer or Jøtul.

Serial no.

1.0 Regulatory information

Installation of a fireplace must be according to local codes and regulations in each country.

All local regulations, including those that refer to national and European standards, shall be complied with when installing the product.

Both an installation manual with technical data and a general user and maintenance manual accompany the product. The installation can only be taken into use after it has been checked by a qualified inspector.

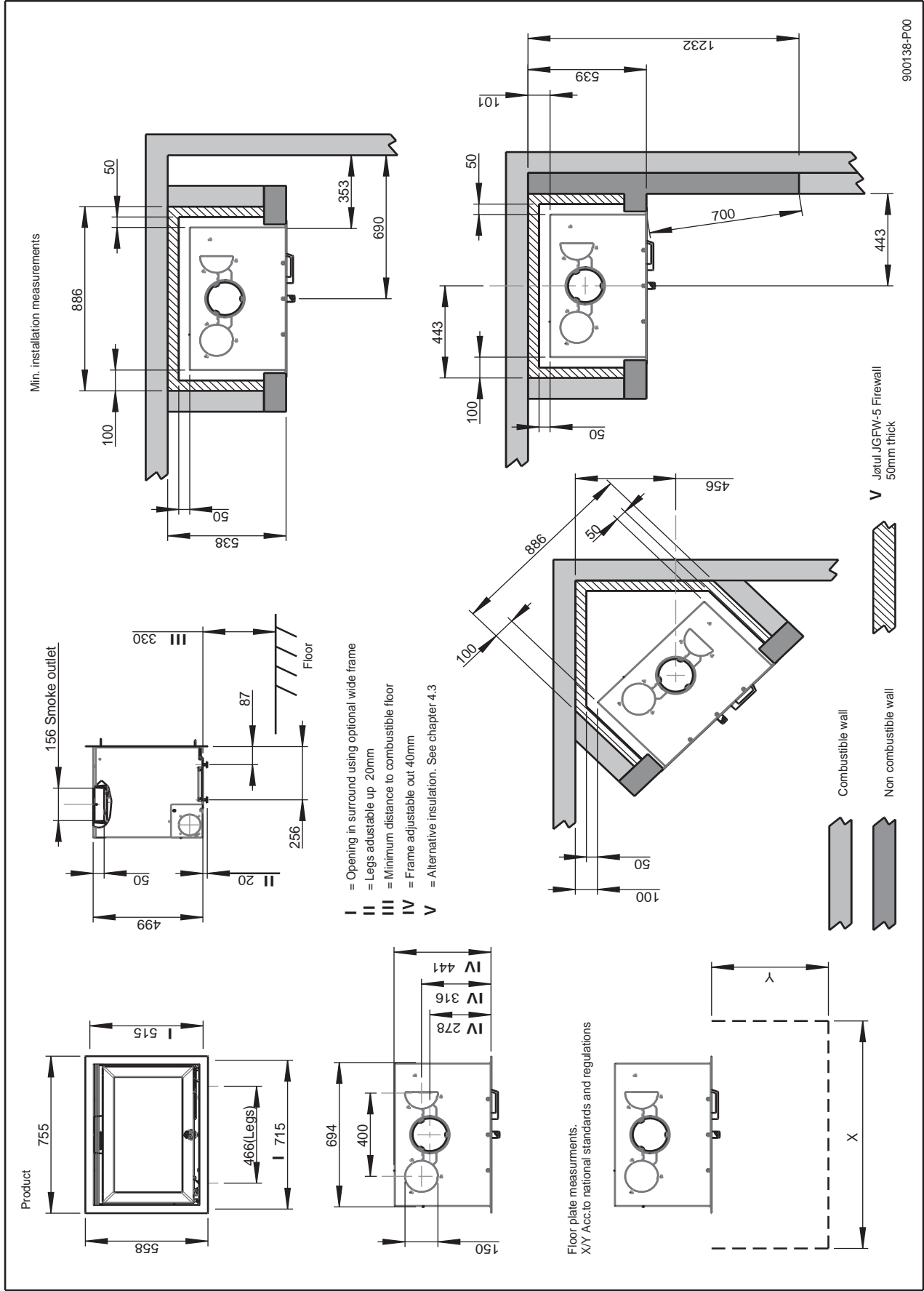
An approval label made of heat resistant material is located on the heat shield at the back of the product. This contains information about identification and documentation for the product.

2.0 Technical data

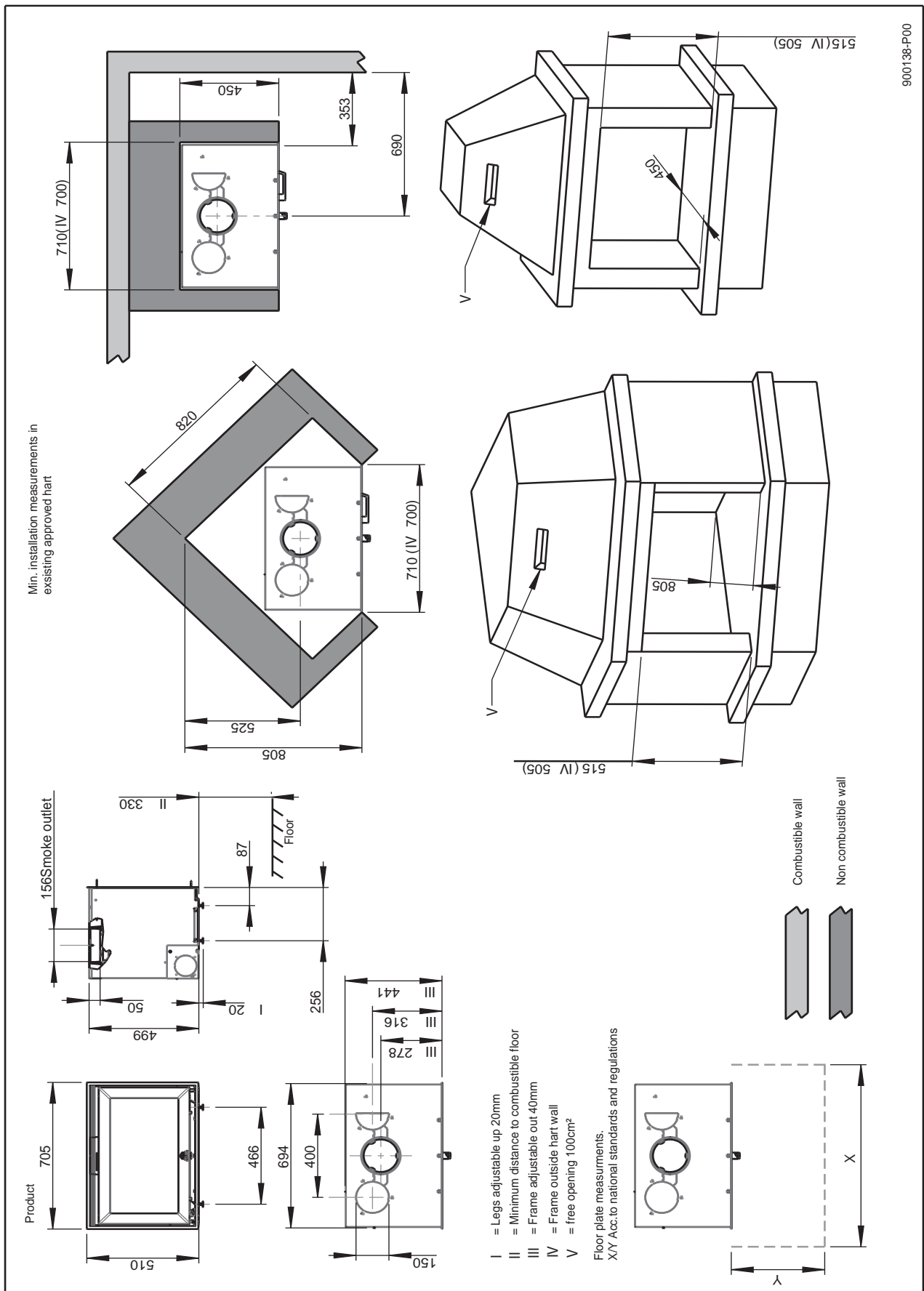
Material:	Cast iron
Finish:	Black paint
Type of fuel:	Wood
Max. log length:	50 cm
Smoke outlet:	Top
Flue pipe dimension:	Ø 150 mm/177 cm ² cross section
Outside air connector:	Flexible aluminium pipe Ø80 mm/Ø100 mm
2 connectors for hot air outlet:	Flexible aluminium pipe Ø 150 mm
Weight:	Approx. 136 kg
Optional extras:	Frame wide, Fan, outside air connection kit Ø 100 mm, Adaptor for flue pipe.
Product dimensions, distances:	See Fig. 1
Technical data in accordance with	13229
Nominal heat output:	7.0 kW
Flue gas flow rate:	5.9 g/s
Recommended chimney draught:	12 Pa
Efficiency:	78%@7.0 kW
CO emissions (13% O ₂):	0.06%
OGC emissions (13% O ₂):	32 mg/Nm ³
Dust emissions	5 mg/Nm ³
Flue gas temperature:	295°C
Operation:	Intermittent

Intermittent operation means normal use of a fireplace. This means that to refuel the fire, you add more wood as soon as the previous load of wood has burned down to embers.

Jøtul C 24 inclusive optional wide frame



Jøtul C 24 inclusive optional narrow frame



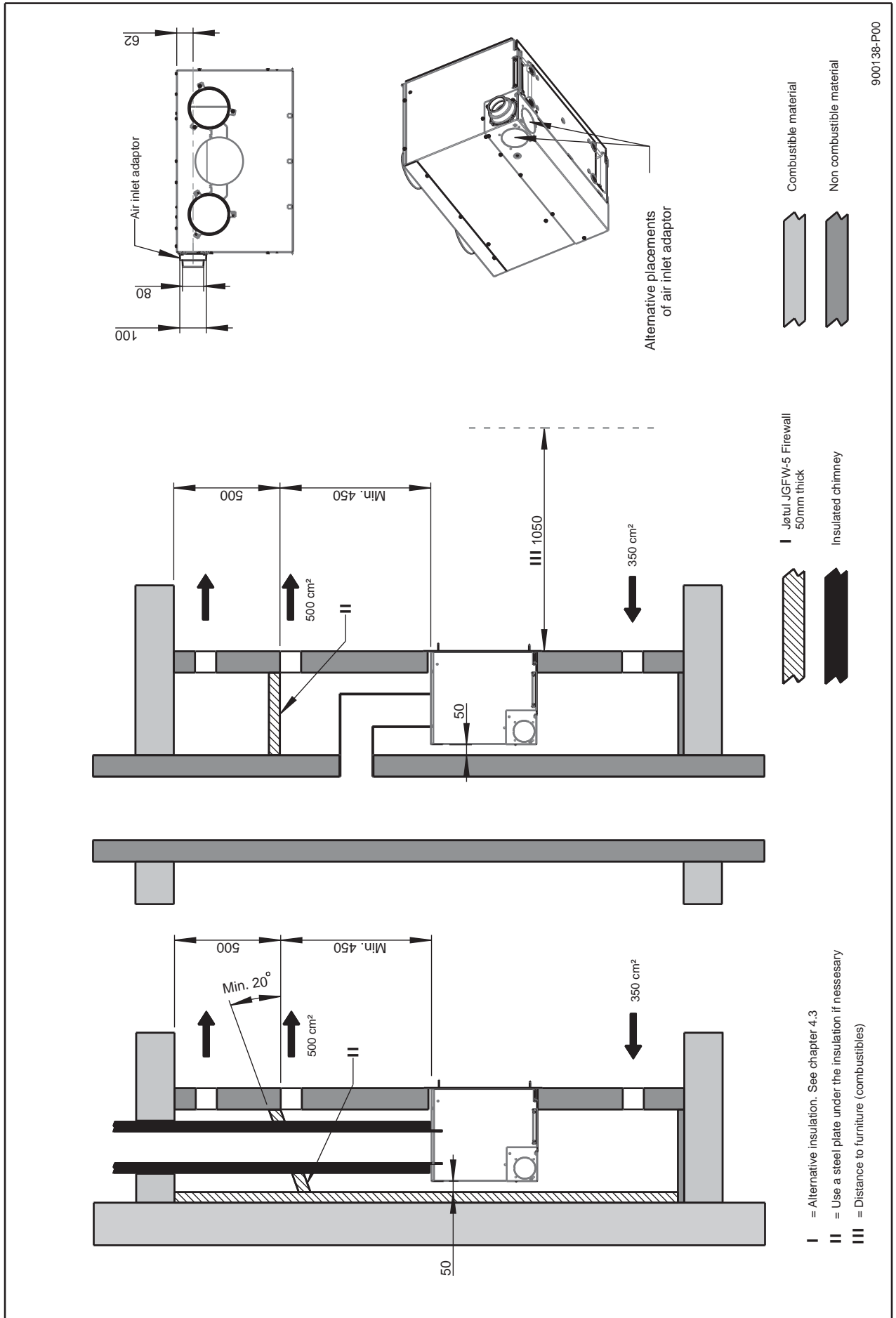


Fig. 2

3.0 Safety

NB! To guarantee optimal performance and safety, Jøtul stoves must be fitted by a qualified installer.

Any modifications to the product by the distributor, installer or consumer may result in the product and safety features not functioning as intended. The same applies to the installation of accessories or optional extras not supplied by Jøtul. This may also be the case if parts that are essential to the functioning and safety of the fireplace have been disassembled or removed.

In all these cases, the manufacturer is not responsible or liable for the product and the right to make a complaint becomes null and void.

Keep the door closed during use (the product is not approved for use with open door)

3.1 Fire Prevention Measures

There is a certain element of danger every time you use your fireplace. The following instructions must therefore be followed:

- The minimum safety distances when installing and using the fireplace are given in **fig. 1A** and **fig. 1B**.
- Ensure that furniture and other flammable materials are not too close to the fireplace. Flammable materials should not be placed within 1,05 metre of the fireplace.
- Allow the fire to burn out. Never extinguish the flames with water.
- The fireplace becomes hot when lit and may cause burns if touched.
- Only remove ash when the fireplace is cold. Ash can contain hot embers and should therefore be placed in a non-flammable container.
- Ash should be placed outdoors or be emptied in a place where it will not present a potential fire hazard.

In case of chimney fire:

- Close all hatches and vents.
- Keep the firebox door closed.
- Check the loft and cellar for smoke.
- Call the fire service.

Before use after a fire an expert must check the fireplace and the chimney in order to ensure that it is fully functional.

4.0 Installation

The Jøtul C 24 is a cassette stove that is designed to fit inside an existing fireplace hearth (Fig. 1 B). This requires a minimum hearth opening of HxWxD = 515x710x450 mm. If the frame is placed on the outside of the hearth walls, the opening may be reduced to HxWxD = 505x700x450 mm. NB! You must allow space between the cassette and the masonry for thermal expansion of the cassette stove.

The product also fits inside a new fireplace surround (Fig. 1 A). The fireplace surround must have a minimum opening of HxWxD = 515x715x490 mm. It is also important to allow space for insulation around the surround. If using a wide frame (optional extra), it will overlap openings to HxW = 558x755 mm.

A narrow frame is included with the product. It is possible to move this frame and a wide frame (optional extra) up to 40 mm to make it easier to adapt the product for different flue pipe positions.

4.1 Floor

Foundation

You need to make sure the foundation is suitable for a fireplace. See “**2.0 Technical Data**” for specified weight.

Requirements for protection of wooden flooring beneath the fireplace

The Jøtul C24 has a heat shield underneath to protect the floor from radiated heat. The product can therefore be positioned directly on a wooden floor that is covered by a sheet of metal or other non-inflammable material. The recommended minimum thickness is **0.9 mm**. The plate must cover the entire floor surface within the surround.

We recommend the removal of any flooring that is not attached to the foundation (“floating floors”) beneath the installation.

Any floor covering of inflammable material, such as linoleum, carpets, etc. must be removed from under the floor plate.

Requirements for protection of inflammable floors in front of the fireplace

The floor in front of the fireplace must be protected by a sheet of metal or other non-inflammable material. The recommended minimum thickness is 0.9 mm. The floor plate must comply with national laws and regulations.

Contact your local building authorities regarding restrictions and installation requirements.

4.2 Ceiling

Distance from hot air vents in the top (**Fig. 1B-V** or 500 mm.

ENGLISH

4.3 Insulation requirements

When the cassette is fitted into a surround with combustible walls protected by insulating material, the following types and thicknesses can be used:

50 mm Jøtul JGFW-5 fireproof board (specific thermal conductivity = λ value = 0.06 W/mK)

50 mm (min. 38 mm) Rockwool (λ value = 0.046 W/mK)

50 mm (min. 31mm) Rockwool (λ value = 0.037 W/mK)

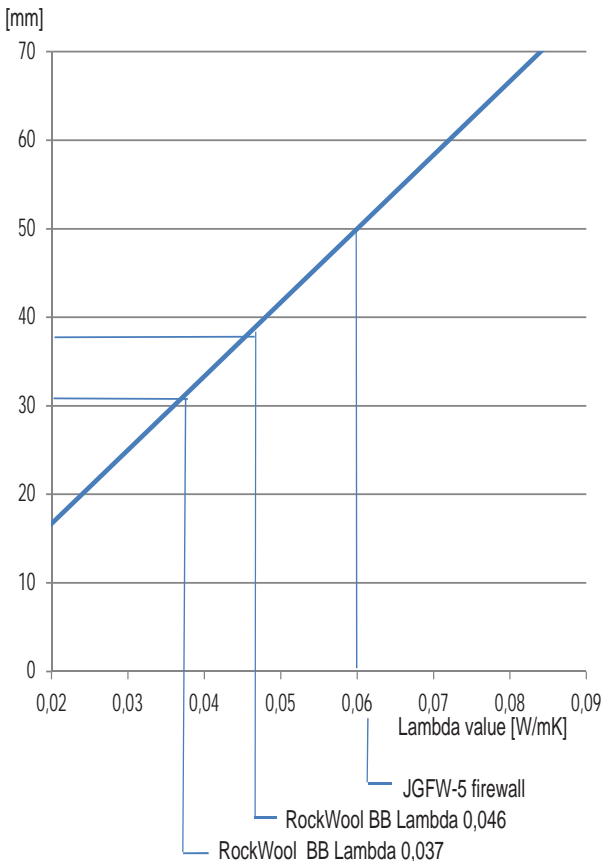
Other materials may be used. See Fig. 33 for minimum insulation thicknesses for known Lambda (λ) values.

Note: The insulation must be mounted in a way that doesn't allow heat to be conducted through the securing materials to the combustible walls.

Fig 33

Minimum insulation thickness

Minimum Insulation Thickness



4.4 Outside air connection

Warning! You need to ensure an adequate supply of outdoor air to the room in which the product is being installed. An inadequate supply of air may cause smoke to be emitted into the room. This is highly dangerous! Symptoms of this may be the smell of smoke, feeling of tiredness, nausea and sickness.

If the house is tightly sealed and insulated and/or has a mechanical air extraction system, the room should be fitted with vents or a separate duct to provide an additional supply of outside air. Ducts in the room where the stove is installed must be made of a non-combustible material such as a flexible aluminium pipe with an internal diameter of 80 or 100 mm. A fresh air duct connector is included with the product. The connector can be attached in three different places (Fig. 2) depending on how the duct is entering the surround or hearth. A kit for outside air connection with air duct, wall grille and insulation is an optional extra. If outside air does not pass through a separate duct, the lever (Fig. 27A) must be in the open position. If the air to the product passes through an outside air duct, the lever must be in the closed position. See Chapter 4.11 for installation of outside air connection.

4.5 Air circulation

If installing in a new fireplace surround (Fig. 2), air must be able to circulate between the cassette and the masonry.

Min. circulation air:

Base: 350 cm² free opening.

Top: 500 cm² free opening.

This is a safety measure to ensure that the build-up of heat inside the fireplace surround does not become too great and that the output of heat to the room is adequate. If the product is installed in an approved hearth, the opening in the base can be omitted and the opening in the top can be 100 cm². See Chapter 4.6

4.6 Hot air distribution/fan

One or two ducts with an internal diameter of 150 mm can be connected to distribute the heated air from the cassette. Hot air ducts must be made of a heat-resistant, non-combustible material, for example, flexible aluminium ducts. These can become very hot and it is important that they do not come into contact with any combustible material. Two connectors for the ducts are included with the product (ducts are not included).

The problem of paint changing colour just above the cassette is reduced by the use of hot air ducts. A fan (optional extra) can be fitted inside the product to increase hot air distribution. This can be fitted regardless of whether ducts for hot air distribution have been installed or not. The fan should be fitted before the product is installed. See the instruction manual for fan installation (included with the fan).

4.7 Chimney and flue pipe

- The fireplace can be connected to chimneys and flue pipes approved for solid fuel fireplaces with flue gas temperatures as specified in «2.0 Technical Data».
- The cross-section of the chimney must be at least that of the flue pipe. Use «2.0 Technical Data» to calculate the correct chimney cross-section. NB! The minimum recommended chimney length is 3.5 m.
- For recommended chimney draught, see «2.0 Technical Data». If the draught is too strong, action must be taken, e.g. install and operate a flue pipe damper in order to reduce the draught.
- The chimney and sweeping hatch must be inspected to ensure they are tightly sealed to prevent leakage. If there is a leak, less air will be pulled through the stove. Your local fire safety office can carry out an inspection of the chimney.
- The chimney must be connected in accordance with the installation instructions of the chimney supplier.
- Before a hole is made in the chimney, the fireplace should be test-mounted in order to correctly mark the position of the fireplace and the hole in the chimney. See Fig. 1 for minimum dimensions.
- It is extremely important for connections to have a degree of flexibility. This is to prevent any movement in the installation leading to the formation of cracks.
- It is important for the joints/flue pipes to be sealed completely. Air leakage may cause malfunction.
- An adapter that makes it easier to install the flue pipe is available as an optional extra. See Chapter 4.11.
- A flue gas bend that alters the direction of the flue gas by more than 45° must be fitted with a sweeping hatch. Note that it is possible to sweep from the inside of the burn chamber. See Chapter 7.2.
- NB: A correct and airtight connection is extremely important for the function of the product.
- Weight must not be transferred from the fireplace structure to the chimney. The fireplace structure must not hinder the chimney's ability to move, and must not be anchored to the chimney.

4.8 Before installation

Make sure that the Jøtul C 24 fits inside the hearth or surround, Fig. 1 shows the minimum dimensions. You must allow space between the cassette and the masonry for thermal expansion of the cassette stove. The hearth must be cleaned thoroughly before installation. It is important to remove old soot and tar that has collected in the hearth to prevent an unpleasant smell in the room. Use a suitable detergent.

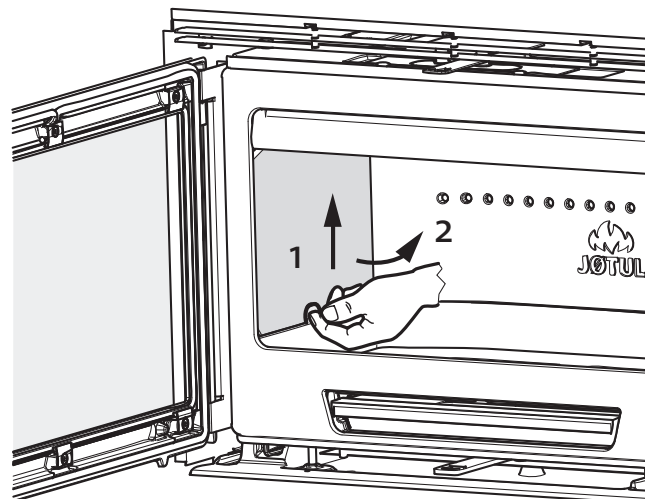
The standard product comes in a two packages.

- When the product is unpacked, remove the bag of screws and the box with the outside air connector, 2 hot air outlet connectors and the oven glove from the burn chamber.
- Also remove the ash pan, fire grate and a wooden block (used for transportation) just below the product's smoke outlet.
- Check the product for signs of damage and make sure that the control handles work.

4.9 Door hinge reversal

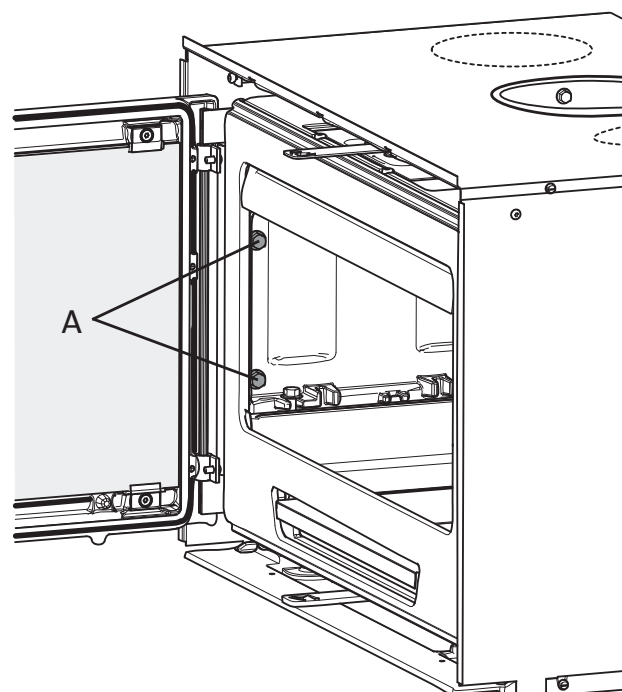
It is possible to change the door of the Jøtul C 24 from left-hinged to right. If you wish to change the hinges, this should be done before installation. If you do not wish to change the hinges, proceed to Chapter 4.10.

Fig. 3



1. Remove the side burn plates by lifting them slightly and pulling out at the bottom.

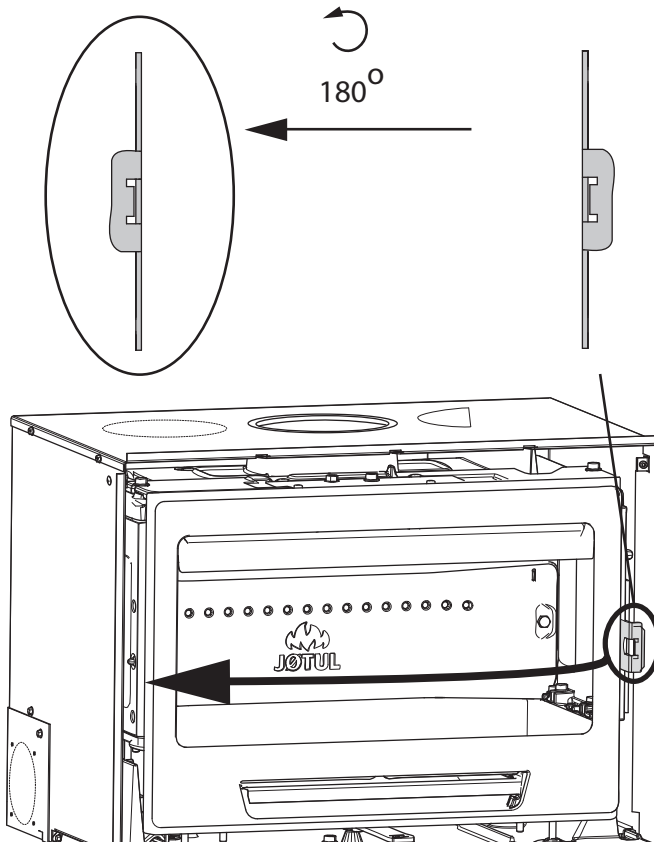
Fig. 4



2. Loosen the 2 screws (Fig. 4A) holding the hinges in place. Hold the door so that it does not fall down when loosening the last screw.
3. Place the door face down on a flat surface.

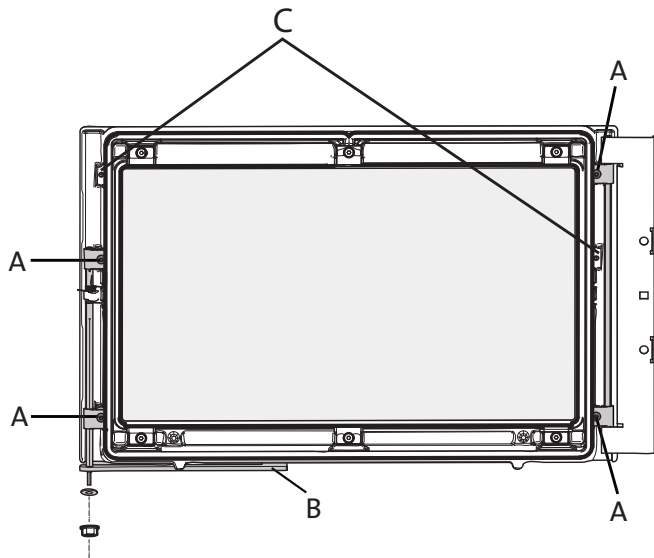
ENGLISH

Fig. 5



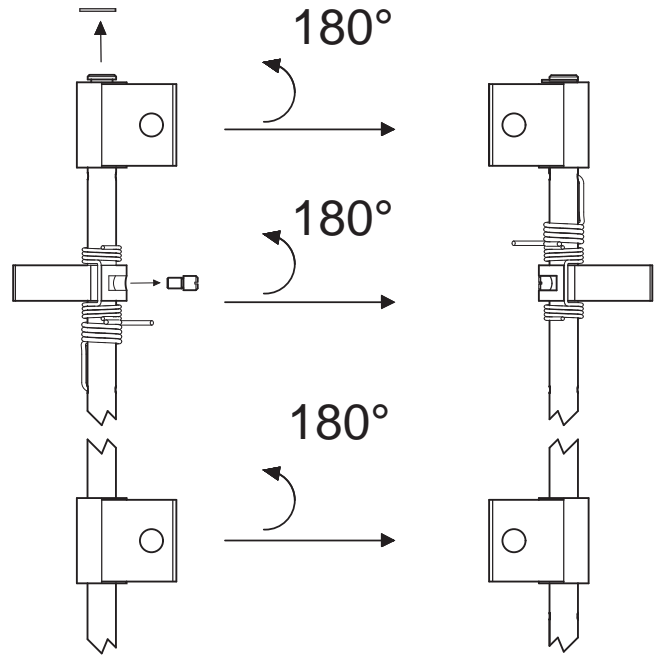
4. Remove the lock catch on the right-hand side of the product and attach it to where the door hinges were on the left-hand side.

Fig. 6



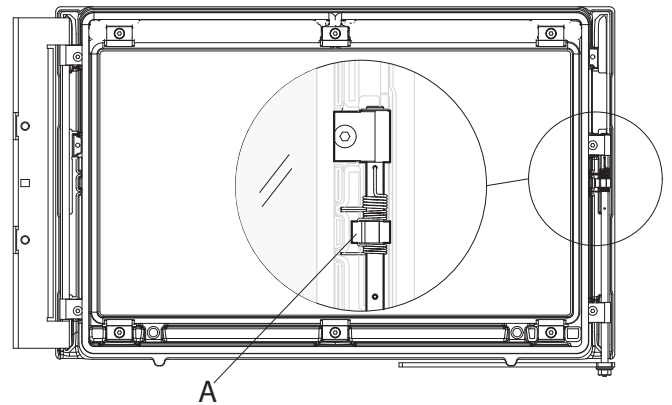
5. Remove the handle (**Fig. 6B**) from the door lock. Loosen the 4 screws (**Fig. 6A**) holding the door lock and hinges in place. Scrape any traces of glue off the surfaces (**Fig. 6C**).

Fig. 7



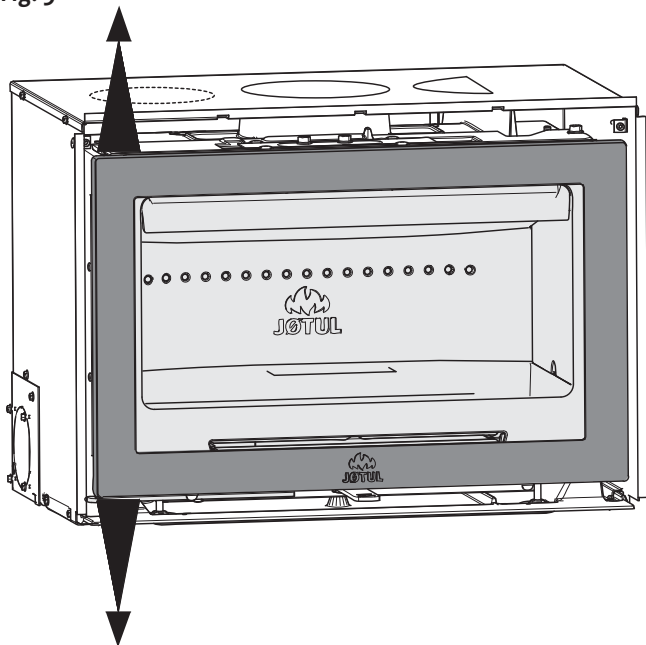
6. Rotate the parts of the door lock axis by 180°.

Fig. 8



7. Install the door lock and hinge on the opposite side (**Fig. 8**).
8. Place the door on the product. Note: the position of the door can be adjusted slightly by loosening the screws (**Fig. 4A**) a little. Tighten the screws.
9. Refit the handle.

Fig. 9



10. The door can also be adjusted upwards or downwards slightly on the door lock side by forcing it into correct position
NB! The door cannot be fully closed when adjusting it!

4.10 Assembly/installation with easy access behind the product.

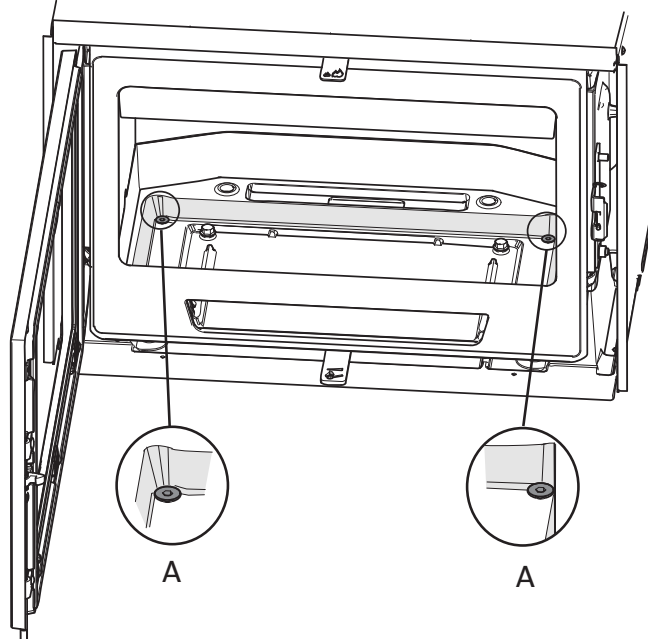
Installation

The product is heavy! Ensure you have help when positioning and installing it.

If there is easy access behind the product, it can be placed directly into the surround. When the product is in the right position, the fuel pipe and outside duct, fan or hot air ducts can be connected. If there is no access, or limited access, to the rear of the product when it is in position, we recommend you first read Section 4.11 which gives examples of how to proceed.

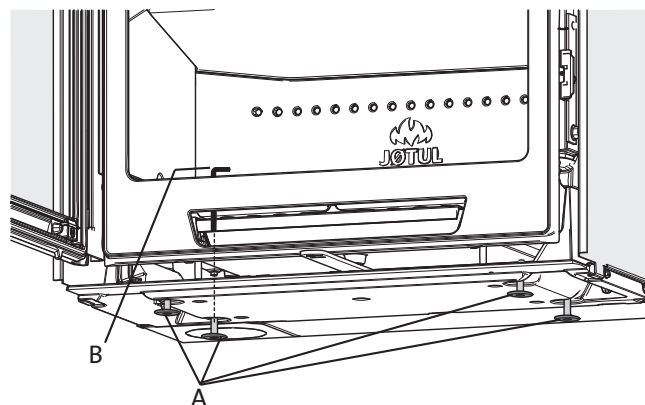
1. Position the product in the surround so that the front part of the product and the front part of the surround are aligned.

Fig. 10



2. Unscrew the 4 screws (**Fig. 10A**) below the fire grate using a 5 mm Allen key from the bag of screws.

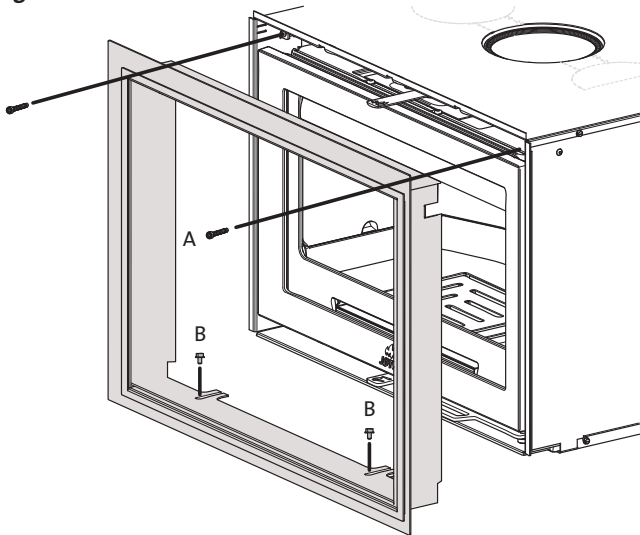
Fig. 11



3. Adjust the 4 leg screws (**Fig. 11A**) below the screws that you just removed until the product is level. Use the 4 mm Allen key (**Fig. 11B**) from the bag of screws

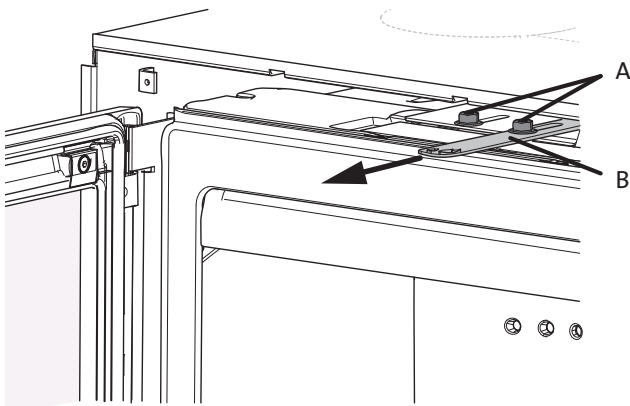
ENGLISH

Fig. 12



4. Remove the frame from its cardboard box and place it. Do not fasten it yet. A wide frame is available as an optional extra.

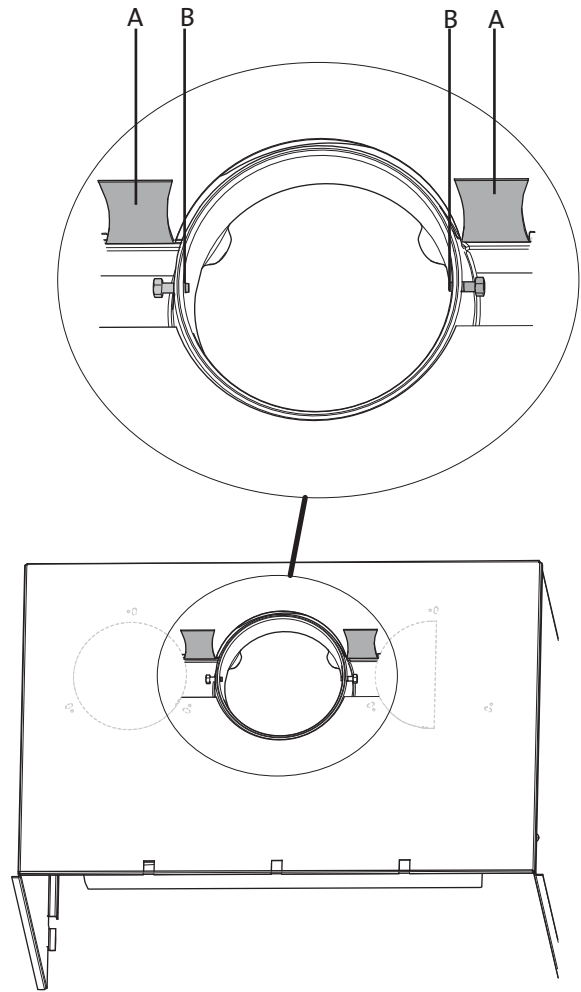
Fig. 13



5. If necessary, the 2 nuts (Fig.13A) can be loosened slightly and the primary air vent (Fig.13B) can be pulled forward. This makes it easier to reach. Next, tighten the nuts.
6. If everything looks right, put the 4 screws (Fig. 10 A) that were removed back into place.
7. Secure the frame into place using the screws (Fig. 12 A and B) from the bag in the frame's box.

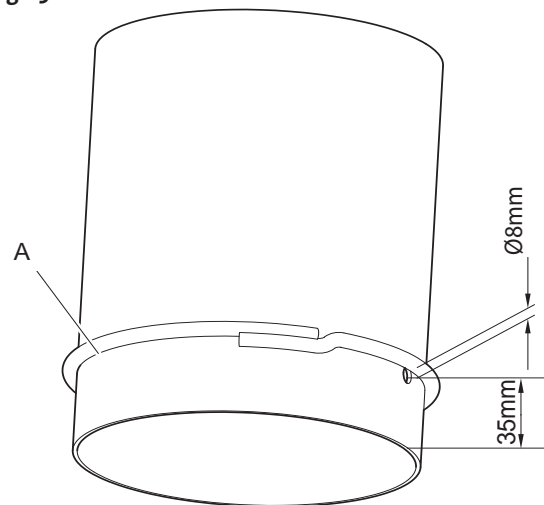
Fitting the flue pipe

Fig. 14



1. Open the 2 lugs (Fig. 14A) next to the smoke outlet and remove the 2 screws (Fig. 14B).

Fig. 15

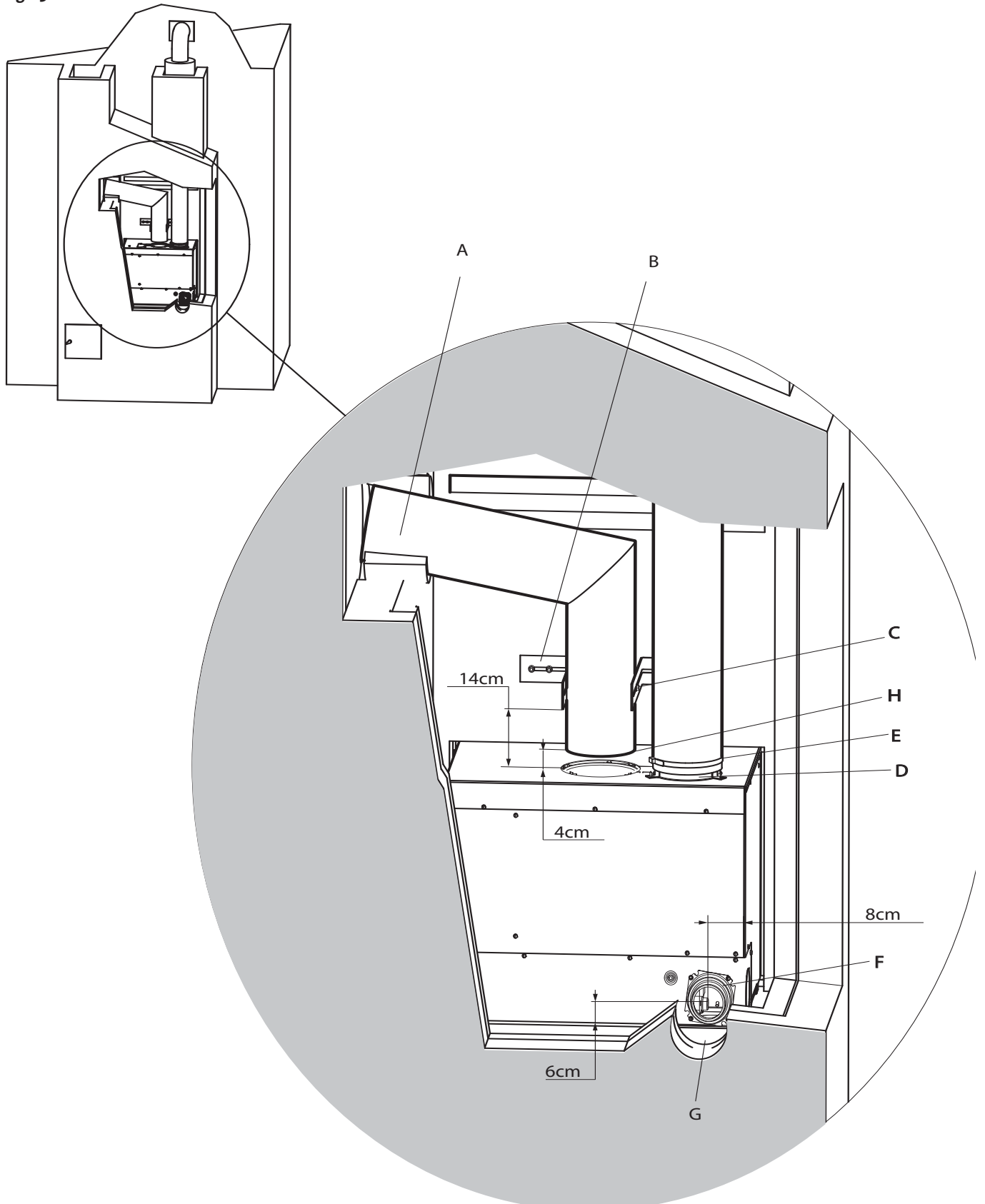


2. Make 2 $\varnothing 8$ mm holes for the fixing screws in the flue pipe. Place the gasket (A) on the flue pipe.
3. Place the flue pipe on the connector and secure with screws (Fig. 14). Next, close the lugs (Fig. 14A).
4. Refit all loose parts that were removed from the product. See Chapter 4.7

4.11 Assembly/installation with no access behind the product

The Jøtul C 24 can be installed without access to the rear of the product when placed inside a hearth or surround. Note that this method of installation requires an optional flue pipe adapter (Fig. 21A)

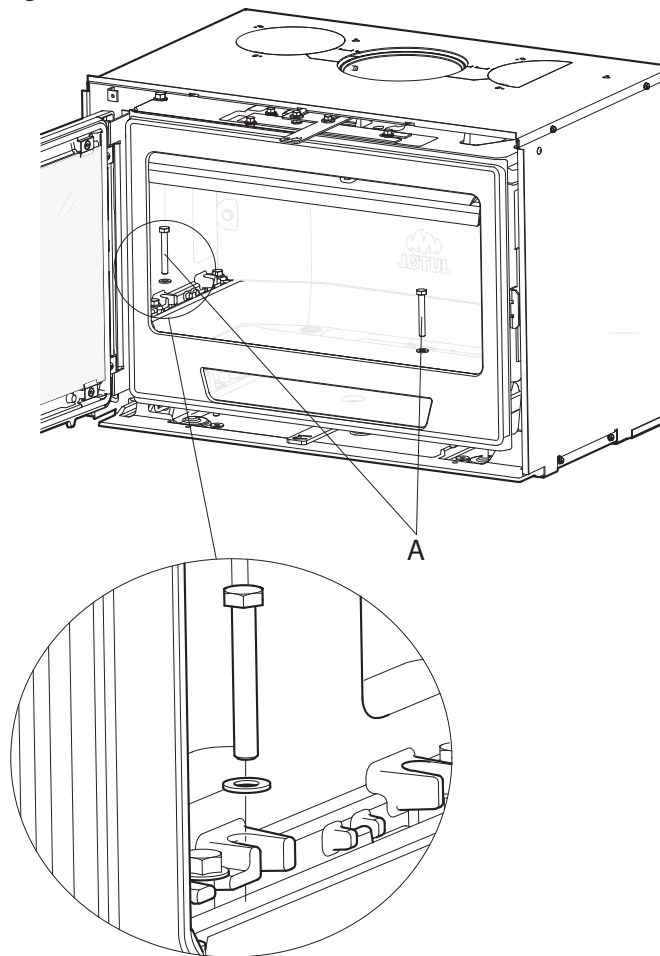
Fig. 19



1. Remove the side burn plates, baffle and exhaust deflector as instructed in Chapter 6. No tools are required..

ENGLISH

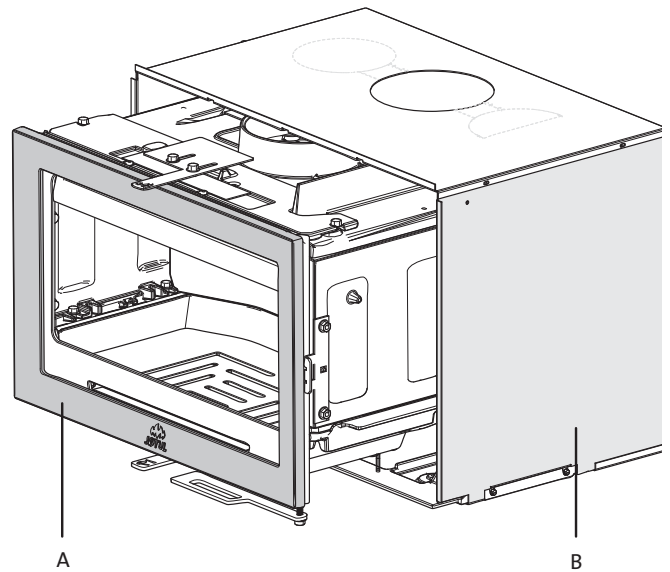
Fig. 17



NB! Step 2 is only necessary if hot air ducts are used!

2. Remove the 2 screws and washers (Fig. 17A).

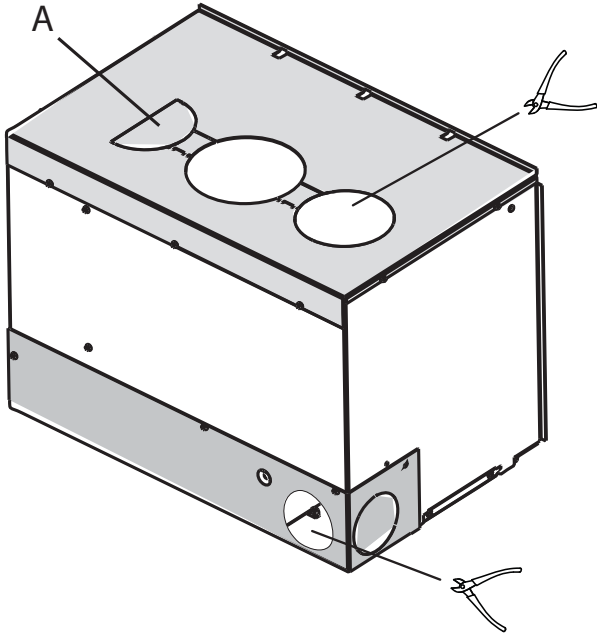
Fig. 18



NB! Step 3 is only necessary if hot air ducts are used!

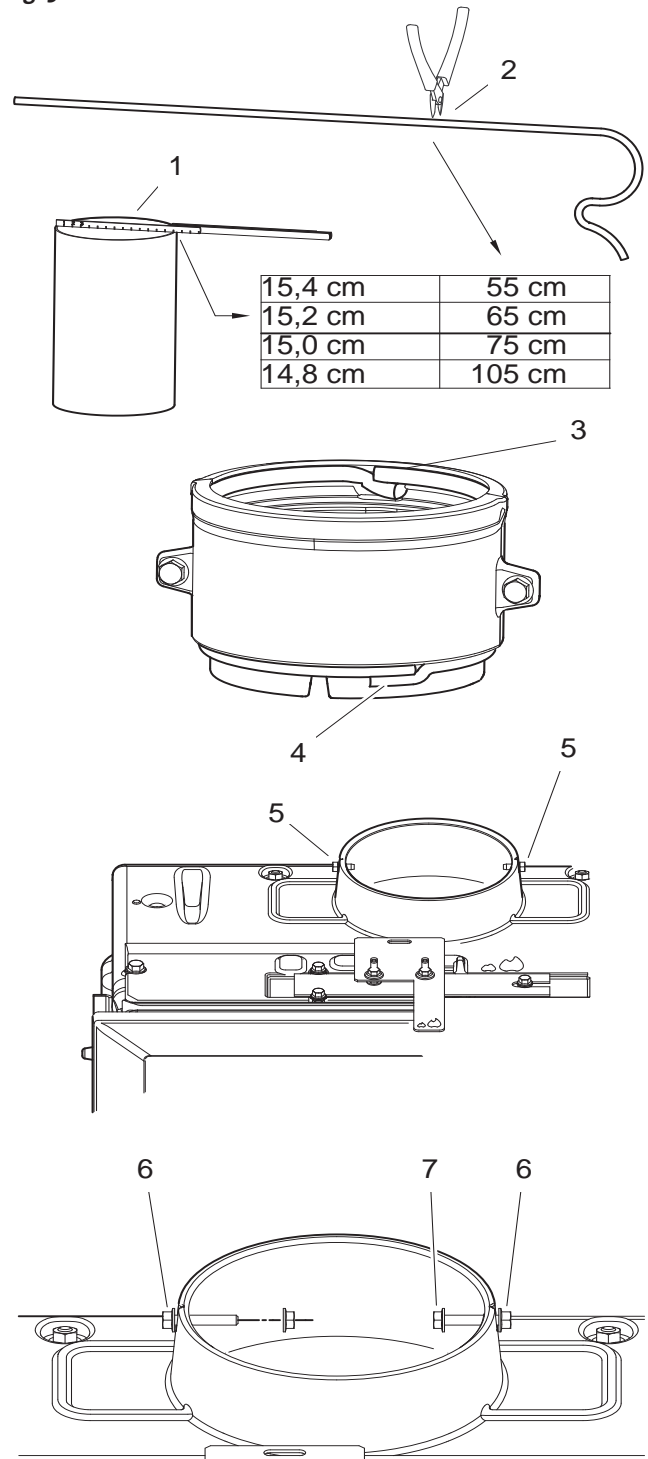
3. Close the door and pull the entire burn chamber (Fig. 18A) out of the convection chamber (Fig. 18B). NB! Place a protective cover under the combustion chamber to prevent damage to the floor.
4. Install the flue pipe (Fig. 19A) in the correct position so that it finishes 4 cm above the cassette. See Fig. 1 for dimensions. The brackets (Fig. 19B) must be fastened securely to the masonry. Use the expansion bolts that come with the adapter kit (optional extra). Holes in the surround for the expansion bolts are $\text{Ø}6$ mm. The brackets must not be lower than 14 cm above the cassette.
5. The screws (Fig. 19C) and nuts that hold the flue pipe in place may be loosely tighten in order to allow the flu pipe to be slightly moved. The adaptor can then be moved easily to the centre of the smoke outlet on the cassette.
6. Attach the connector (Fig. 19D) to the flexible hot air duct using a hose clip (Fig. 19E). Complete the installation in the surround. The connector should be at the same height as the top of the cassette.
7. Choose the most suitable position for the connector (Fig. 19F) if installing an outside air duct (see Fig. 2). Make holes for the duct in the hearth or surround (Fig. 19G).
8. Make sure that the inlet air lever (Fig. 27A) is in the correct position (closed).

Fig. 20



9. Cut out the appropriate openings in the convection chamber. Note that the hole (Fig. 20A) for the hot air distribution is crescent shaped.
10. Assemble the outside air connector (Fig. 19F) and attach the flexible outside air duct with a hose clip.

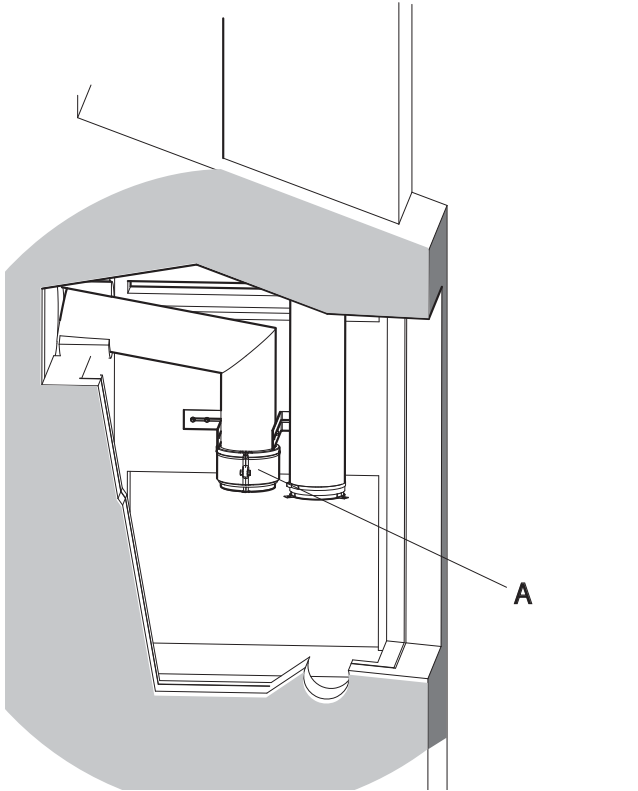
fig. 31



1. Measure the external diameter of the flue pipe.
2. Cut a piece of the thick, self-adhesive gasket that is provided.
3. Apply the gasket to the adapter. Start with step 3 (Fig. 31).
4. Apply the thin gasket as illustrated in step 4 (Fig. 31).
5. Remove the two screws from the smoke outlet on the burn chamber (Fig. 31-5).
6. Fasten the two 35 mm screws (from the bag) as illustrated in step 6 (Fig. 31).
7. Fasten the two nuts outermost on the screws as illustrated in step 7 (Fig. 31).

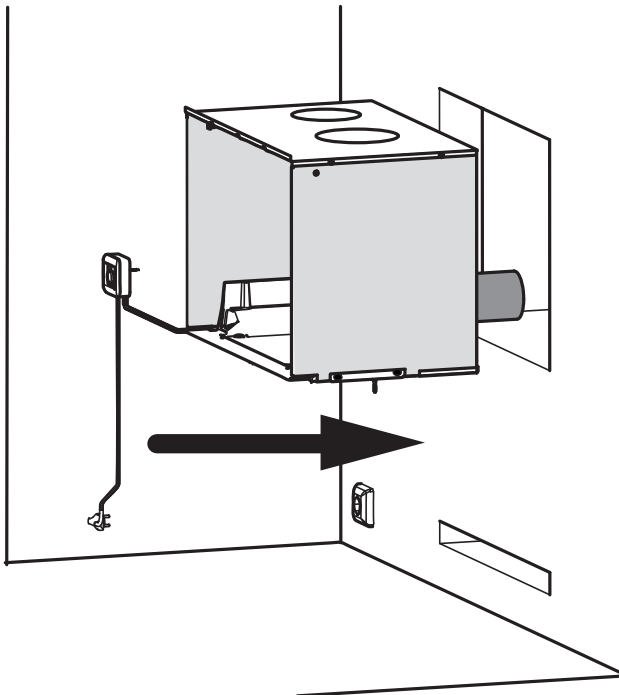
ENGLISH

Fig. 21



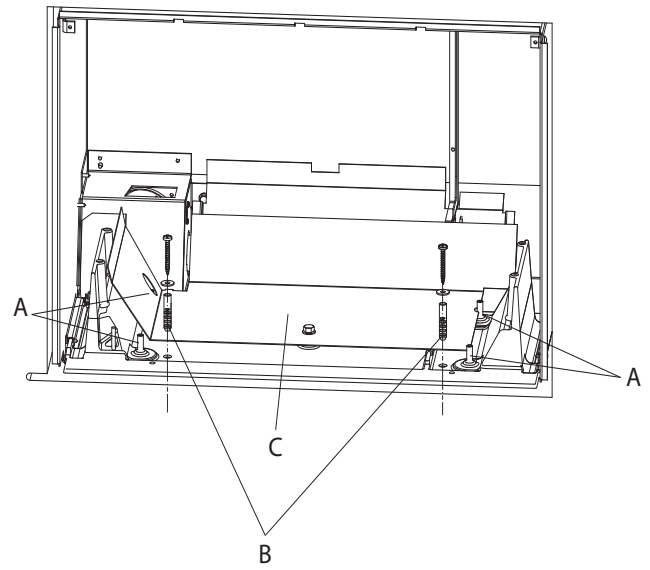
11. Attach the flue pipe adapter (Fig. 21A). Secure the flue pipe adapter with a bit of tape so that it does not fall down. The convection chamber is now ready to be placed inside the hearth/surround. If installing a fan, this must be done now. A separate instruction manual is provided with the fan.

Fig. 22



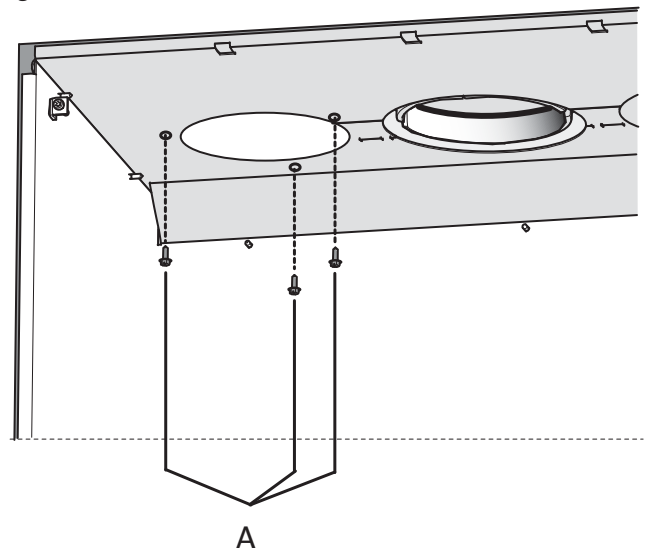
12. Put the convection chamber into place. If no hot air ducts are being installed, the entire product can be put into place..

Fig. 23



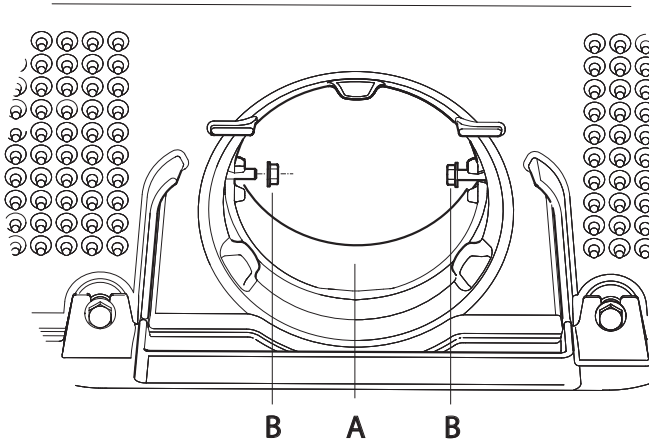
13. See Fig. 10 and 11 if the entire product is placed inside the surround/hearth.
14. Adjust the 4 leg screws (Fig. 23A) using the 4 mm Allen key from the bag of screws until the product is level.
15. Test to see whether the frame (Fig. 12) fits and check that the flue pipe adapter is aligned with the middle hole in the convection chamber.
16. Drill 2 \varnothing 10 mm plug holes (Fig. 23B) in the hearth and secure the convection chamber in place with screws and washers from the bag of screws.
17. If these screws do not grip well, there are two other attachment options below the heat shield (Fig. 23C).

Fig. 24



18. Attach each hot air duct to the convection chamber using 3 tapping screws (Fig. 24A) from the bag of screws.
19. Place the burn chamber (Fig. 18A) inside the convection chamber and secure with the screws (Fig. 17 A).

Fig. 25

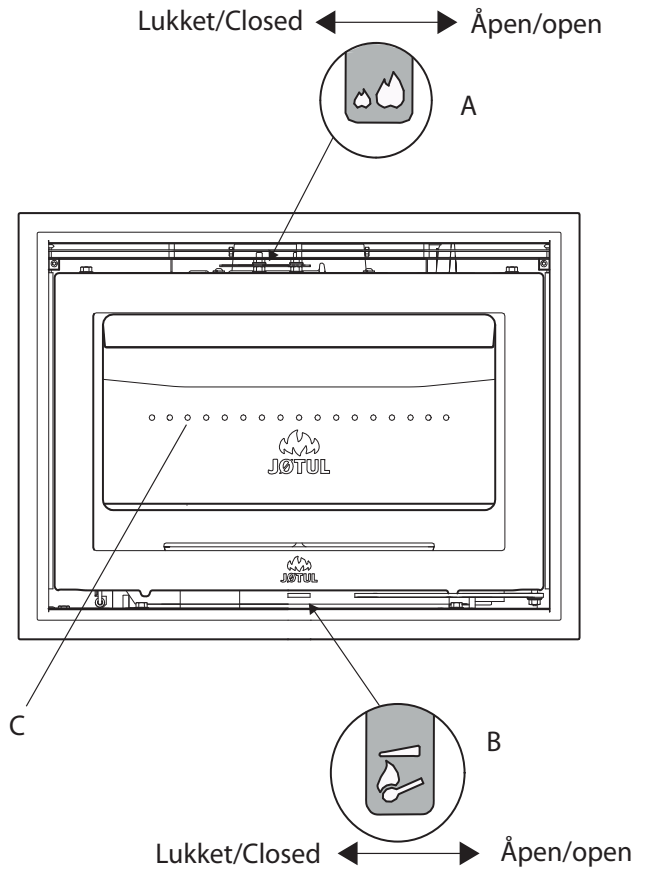


20. Pull the adapter (Fig. 25A) down firmly and tighten the nuts (Fig. 25B) alternately to ensure the adapter is even. If needed, use cement to seal between the flue pipe and adaptor. Put the frame on (Fig. 12).
21. Refit all loose parts that were removed from the product.

4.12 Performance check

Once the product has been assembled, always check the control handles. These should move easily and work in a satisfactory manner.

Fig. 26



The Jøtul C 24 is equipped with the following operating options:

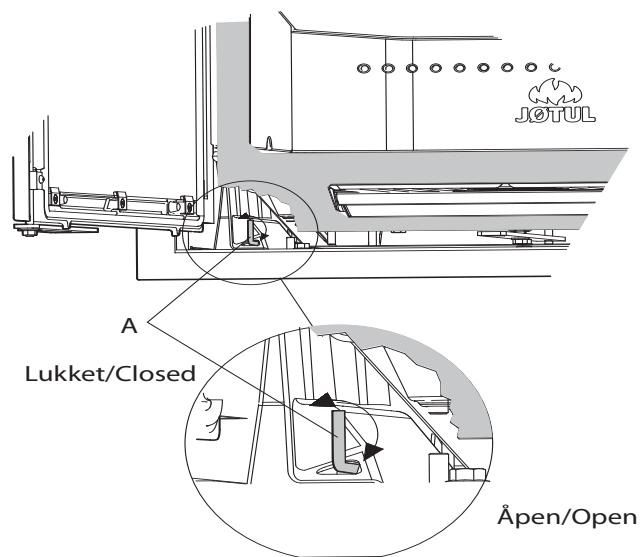
Air vent (Fig. 26A)

- | | |
|----------------|------------|
| Left position | closed |
| Right position | fully open |

Ignition vent (Fig. 26B)

- | | |
|----------------|------------|
| Left position | closed |
| Right position | fully open |

Fig. 27



- The inlet air lever (**Fig. 27A**) is behind the front. If an outside air duct (Chapter 4.4) is installed, the lever must be in the closed position. Turn it to the left.
- If an outside air duct is not installed, the lever must be in the open position. Turn it to the right.

NB! The only time this lever needs to be set is when the product is installed.

Lighting the fire

- Open the ignition and air vents by turning the control levers to the right. (Use a glove or something similar in case the control levers are hot).
- Place two logs at the bottom of the burn chamber and pile the kindling in layers.
- Finally, place a medium-sized log on the top of the pile.
- Place 2 or 3 briquettes or kindling sticks under the top layer of kindling and light the fire.

After lighting

- Close the ignition vent (**Fig. 26 B**) when the wood has caught fire properly and is burning well.
- You can then regulate the rate of combustion to give the heat you want by adjusting the air vent (**Fig. 26A**).
- Check that afterburning (secondary combustion) starts. This is best indicated by yellow () flames in front of the holes under the baffle (**Fig. 26C**).
- If the chimney draught is normal, the fire will take care of itself.

Important! An inadequate air supply can lead to poor combustion, high emissions and a lower level of efficiency

Adding firewood

- Stoke the stove frequently but only add small amounts of fuel at a time.
- If the stove is filled too full, the heat created may cause extreme stress in the chimney.
- Add fuel to the fire in moderation.
- Avoid smouldering fires as this produces the most pollution.
- The fire is best when it is burning well and the smoke from the chimney is almost invisible..

4.13 Warning against overheating

Never overstroke the fireplace!

Overheating occurs when there is too much fuel and/or too much air so that too much heat develops. A sure sign of overheating is when parts of the stove glow red. If this happens, reduce the air vent opening immediately.

Seek professional advice if you suspect that the chimney is not drawing properly (too much/too little draught). (See «4.7 Installation» (Chimney and flue pipe) for information.).

5.0 Daily use

Odours when using the fireplace for the first time!

When the fireplace is used for the first time, it may emit an irritating gas which may smell slightly. This is because the paint on the outside is drying. The gas is not toxic but you should open some windows to ensure the room is thoroughly ventilated. Let the fire burn with a high draught until all traces of the gas have disappeared and no smoke or odours can be detected.

Keep the door closed during use (the product is not approved for use with open door).

Please note! Parts of the wood-burning stove, especially the outer surfaces, become hot during use. Please exercise due care!

5.1 Operation

Heating advice

NB: Logs that have been stored outdoors or in a cold room should be brought indoors 24 hours before use to bring them up to room temperature.

There are various ways of heating the stove but it is always important to be careful about what you put in the stove. See the section on "Wood quality".

Wood quality

The logs should be dried so that the moisture content is no more than 20%.

To achieve this, the logs should be cut no later than in late winter. They should be split and stacked in a way that ensures good ventilation. The wood stacks should be covered to protect the logs from rain. The logs should be brought indoors during early autumn and stacked/stored for use in the coming winter

Be especially careful never to use the following materials as fuel in your fireplace:

- Household rubbish, plastic bags, etc.
- Painted or impregnated timber (which is extremely toxic).
- Laminated wooden planks.
- Driftwood

These may harm the stove and are also pollutants

NB: Never use petrol, paraffin, methylated spirit or similar liquids to light the fire. You may cause serious injury to yourself and damage to the product.

Wood consumption

Wood consumption, at nominal heat output: Approx. 2.3 kg/h.
The size of the logs should be:

Kindling (finely split wood):

Length: 20 - 30 cm

Diameter: 2 - 5 cm

Quantity for kindling: 6 - 8 pieces

Wood (split wood):

Recommended length: 30 - 50 cm

Diameter: Approx. 8 cm

Stoking frequency: Approx. every 45 minutes

Fire size: 1.7 kg (nominal output)

Quantity required each time: 2 pcs.

Nominal heat output is achieved when the air vent is open approximately 50% opening of the air vent.

5.2 Ash removal

Only remove ash when the fireplace is cold.

5.3 Using your stove in the spring or autumn

In the transition period (spring/autumn), where there is less need for heating, we recommend to make a single „top down“ lighting, perhaps with one stoke up to ensure that the combustion chamber lining burns clean again.

5.4 Using your stove in various weather conditions

Wind blowing on the chimney can have a great effect on how your stove reacts in various wind conditions; you may need to adjust the airflow to achieve good burning results. Fitting a damper in the flue pipe may also help as it will give you the ability to regulate the draught in changing wind conditions.

Fog can also have a great influence on how well a chimney draws; you may again need to adjust the airflow settings to achieve good burning results..

5.5 Chimney

The chimney is the engine that drives the fireplace and it's essential to have a good chimney in order for the fireplace to function properly.

The draught in the chimney creates a vacuum in the stove.

The combustion air is also used for the airwash system that keeps the window clear of soot.

The draught in the chimney is caused by the difference in temperatures inside and outside the chimney. The greater the temperature difference, the better the draught in the chimney. It is therefore important to allow the chimney to reach operating temperature before adjusting the air vents to restrict combustion in the stove (a brickwork chimney takes longer to reach operating temperature than a steel chimney).

It is particularly important to reach operating temperature as quickly as possible on days on which the draught in the chimney is poor due to unfavourable wind and weather conditions. Make sure the fuel ignites as quickly as possible. Practical tip: Chop the wood into much smaller pieces and use an extra firelighter.

NB: If the stove has not been used for some considerable time, it is important to check the chimney pipe for blockage.

ENGLISH

6.0 Service

Warning! Any unauthorised changes to the product are illegal!
Only original spare parts may be used!

6.1 Replacing the burn plates

Fig. 28

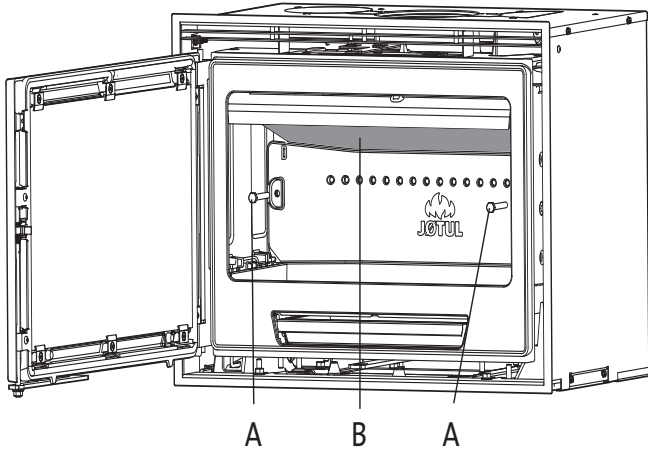
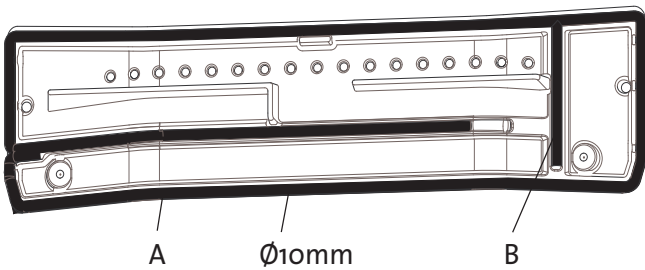


Fig. 29

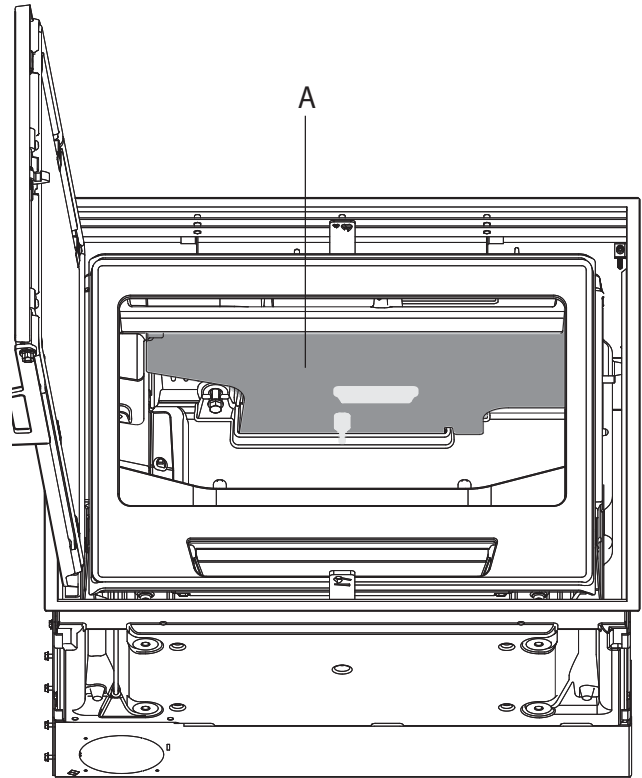


1. Remove the side burn plates by lifting them slightly and pulling out at the bottom (Fig 3).
2. Remove the screws (Fig 28A) and pull the back burn plate out. Hold simultaneously the baffle (Fig 28B) up so it does not fall down. Please note that the seal on the back burn plate needs to be replaced if damaged .
3. To install the burn plates, follow the same procedure in reverse order

6.2 Replacing the baffle/exhaust deflector

1. First remove the side burn plates (Fig.3). It is not necessary to remove the back burn plate .
2. Pull the baffle (Fig. 28B) forward and down at the front edge. Turn it so that it is standing diagonally behind the front, and lift it out.
3. Lift the back edge of the exhaust deflector (Fig. 30A), push it backwards and then down at the front edge.
4. To install them, follow the same procedure in reverse order.

Fig. 30



7.0 Maintenance

7.1 Cleaning and soot removal

Soot deposits may build up on the internal surfaces of the fireplace during use. Soot is an insulator and will therefore reduce the fireplace's heat output. If soot deposits accumulate when using the product, they can easily be removed by using a suitable detergent.

In order to prevent a layer of water and tar from forming in the fireplace, you should regularly allow the fire to burn hot in order to remove the layer. Your product should be cleaned internally once a year to ensure the best heating effect. It is a good idea to do this when cleaning the chimney and flue pipes.

7.2 Sweeping the flue pipe to the chimney

Flue pipes must be swept through the flue pipe sweeping hatch or through the door opening. The side burn plates, baffle and exhaust deflector must be removed first (see Chapter 6.2).

7.3 Inspection of the fireplace

Jøtul recommends that you carefully inspect your fireplace yourself after it has been swept/cleaned. Check all visible surfaces for cracks. Also check that all joints are sealed and that the gaskets are in the correct position. Any gaskets showing signs of wear or deformation must be replaced.

Thoroughly clean the gasket grooves, apply ceramic glue (available from your local Jøtul dealer) and press the gasket well into place. The joint will dry quickly.

7.4 Exterior maintenance

Painted products may change colour after they have been used for several years. The surface should be cleaned and brushed free of any loose particles before new paint is applied.

8.0 Optional extras

Frame, wide

(Cat. no. 50044778)

Fan

(Cat. no. 50044779)

Kit for outside air connection Ø 100 mm

(Cat. no. 51042164)

Smoke outlet adapter

(Cat. nr. 51044856)

9.0 Recycling

9.1 Recycling packaging

Your fireplace is delivered with the following packaging:

- A wooden pallet that can be cut up and burned in the fireplace.
- Cardboard packaging that should be taken to a local recycling facility.
- Plastic bags that should be taken to a local recycling facility.

9.2 Recycling the fireplace

The fireplace is made of:

- Metal that should be taken to a local recycling facility.
- Glass that should be disposed of as hazardous waste. The glass in the fireplace must not be placed in a regular source segregation container.
- Vermiculite burn plates that can be disposed of in regular waste containers.

10.0 Guarantee terms

1. Our guarantee covers:

Jøtul AS guarantees that the external cast-iron parts are free from defects in materials or manufacturing at the time of purchase. You may extend the guarantee on the external cast-iron parts to 25 years from the date of delivery by registering the product on jotul.com, and print out the extended guarantee card within three months of purchase. We recommend that the guarantee card be kept together with the receipt. Jøtul AS also guarantees that steel plate parts are free from defects in materials or manufacturing at the time of purchase for a period of 5 years from the date of delivery.

The guarantee applies on the condition that the stove has been installed by a qualified installer in accordance with applicable laws and regulations and Jøtul's installation and operating instructions. Repaired products and replacement items are guaranteed within the original guarantee period.

2. The guarantee does not cover:

- 2.1. Damage to consumables such as burn plates, fire grates, flue baffles, gaskets and similar as these deteriorate over time due to normal wear and tear.
- 2.2. Damage caused as a result of improper maintenance, overheating, use of unsuitable fuel (e.g. of unsuitable fuel are, but not limited to driftwood, impregnated wood, plank offcuts, chipboard) or too moist / wet wood.
- 2.3. Installation of optional extras for the purpose of rectifying local draught conditions, air supply or other circumstances beyond Jøtul's control.
- 2.4. Cases involving alterations / modifications to the fireplace without Jøtul's consent or the use of non-original parts.
- 2.5. Damage caused during storage at a distributor, transport from a distributor or during installation.
- 2.6. Products sold by unauthorized sellers in areas where Jøtul operates a selective distribution system.
- 2.7. Associated cost (e.g. but not limited to, transport, manpower, travel) or indirect damages.

Pellets stoves, glass, stone, concrete, enamel and paint finish (e.g. but not limited to chipping, cracking, bubbling or discolouration and crazing) are applicable to the national legislation governing the sale of consumer goods. This guarantee is valid for purchases made within the territory of the European Economic Area. All guarantee inquiries must be addressed to your local authorized Jøtul dealer within a reasonable amount of time, which shall not be later than 14 days from the date on which the fault or defect first became apparent. See list of importers and dealers on our web site www.jotul.com.

If Jøtul is unable to meet the obligations outlined in the above guarantee terms, Jøtul will offer a replacement product with a similar heating capacity free of charge.

Jøtul reserve the right to decline of any replacement of parts or service in the event that the guarantee is not registered online. This guarantee does not affect any rights under applicable national legislation governing the sale of consumer goods. The national complaint right applies from the purchase date and only in exchange for a receipt / serial number.



Conformiteitsverklaring - België

Producent: Jøtul AS, P.O. Box 1411, 1602 Fredrikstad, Noorwegen

Product: Jøtul C 24

Hierbij verklaren wij dat de hierna genoemde apparaten voldoen aan het standaardmodel beschreven in de EG-conformiteitsverklaring en dat de productie en marketing van de apparaten voldoet aan de vereisten van het koninklijk decreet van 12 oktober 2010 betreffende de minimumeisen voor prestaties en de verontreinigende uitstoot van met vaste brandstof gestookte verwarmingsapparaten.

Model:	Jøtul C 24
Nummer testrapport:	300-ELAB-1881-EN
Getest volgens de standaard:	DS/EN 13229:2001 und DS 13229:2001/A2:2004
Testinstituut:	Danish Technological Institute, Teknologiparken, Kongsvang Alle 29, DK-8000 Århus C
Nominaal vermogen:	7 kW
Efficiëntie:	78 %
CO @ 13% O₂-metingen:	0,06 %
Gemeten aantal deeltjes @ 13% O₂ :	5 mg/Nm ³

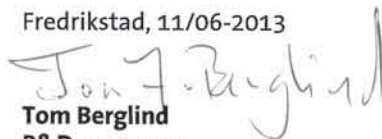
Milieugegevens met betrekking tot de aanbevolen vaste brandstof:

Jøtul AS raadt aan om uitsluitend hout te gebruiken dat in de handleiding wordt vermeld. De verbranding in de kachel is alleen milieuvriendelijk wanneer het juiste hout wordt gebruikt.

Milieugegevens met betrekking tot de niet-aanbevolen vaste brandstof:

Jøtul AS raadt af om materialen te verbranden die niet in de handleiding worden vermeld. De verbranding in de kachel is alleen milieuvriendelijk wanneer onze aanbevelingen worden opgevolgd.

Fredrikstad, 11/06-2013


Tom Berglind
R&D-manager

Installatiehandleiding met technische gegevens

1.0 Wettelijke voorschriften23

2.0 Technische gegevens23

3.0 Veiligheid.....27

4.0 Installatie27

5.0 Dagelijks gebruik38

6.0 Groot onderhoud 39

7.0 Onderhoud 40

8.0 Opties..... 40

9.0 Recycling..... 40

10.0 Garantievoorwaarden..... 41

Registreer uw haard op jotul.com met het oog op de garantie van 25 jaar.

Product: Jøtul Room heater fired by solid fuel				CE
Standard Minimum distance to adjacent combustible materials: Minimum distance to adjacent non-combustible materials: Emission of CO in combustion products: Flue gas temperature Nominal heat output Efficiency Operational range Fuel type Operational type The appliance can be used in a shared flue.				
Country	Classification	Certificate/standard	Approved by	
Norway	klasse II			
Sweden	etc.	SP	SP Sveriges Provings- och Forskningsinstitut AB	
EUR	Intermittent	EN	SP-Swedish National Testing and Research Institute	
Follow user's instructions. Use only recommended fuels. Montage- und Bedienungsanleitung beachten. Verwenden Sie nur empfohlenen Brennstoffen. Respectez les consignes d'utilisation. Utilisez uniquement les combustibles recommandés.				
Serial no. Y-xxxx. Year. 200x				
Manufacturer: Jøtul AS POB 1 441 N-1622 Fredrikstad Norway				221546

Al onze producten zijn voorzien van een label met een serienummer en een jaartal. Noteer dit nummer op de daarvoor bestemde plaats, zoals aangegeven in de installatie-instructies.
Houd dit serienummer bij de hand als u contact opneemt met uw leverancier of met Jøtul.

Serial no.

1.0 Wettelijke voorschriften

Een haard moet in overeenstemming met de in uw land geldende wet- en regelgeving worden geïnstalleerd.

Bij het installeren van de producten moeten alle lokale voorschriften die betrekking hebben op nationale en Europese normen, worden nageleefd.

Bij het product horen een installatiehandleiding met technische gegevens en een algemene gebruikers- en onderhoudshandleiding. De installatie kan pas in gebruik worden genomen nadat deze door een gekwalificeerde technicus is gecontroleerd.

Op het hitteschild is een typeplaatje van hittebestendig materiaal bevestigd. Hierop staat informatie over de identificatie en documentatie van het product. .

2.0 Technische gegevens

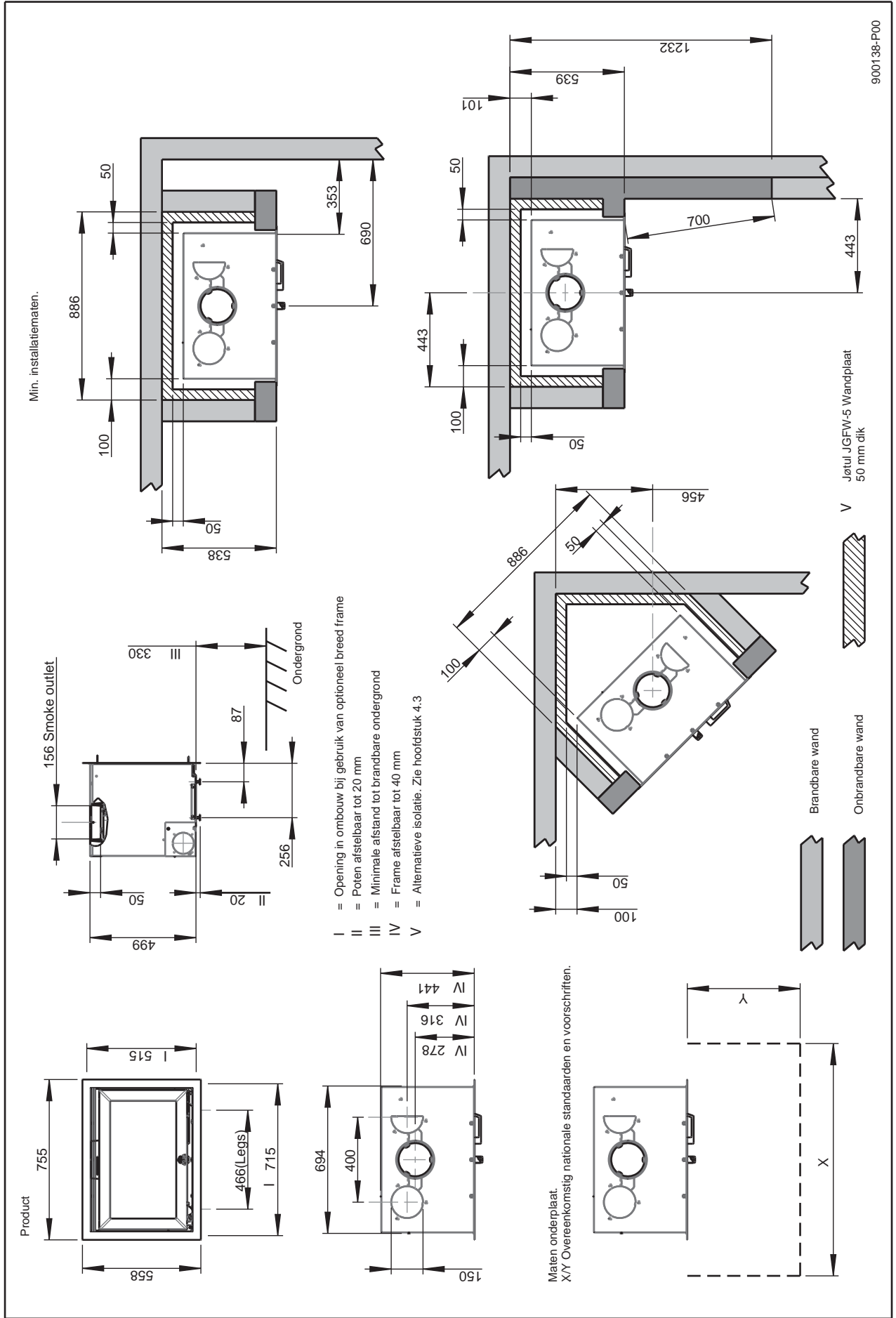
Materiaal:	gietijzer
Afwerking:	zwarte verf
Type brandstof:	Hout
Max. lengte van blokken:	50 cm
Rookuitlaat:	boven
Afmeting kachelpijp:	Ø 150 mm/177 cm ² doorsnede
Externe luchtaansluiting:	flexibele aluminium pijp Ø 80 mm/Ø 100 mm
2 aansluitingen voor afvoer warme lucht:	flexibele aluminium pijp Ø 150 mm
Gewicht:	ca. 136 kg
Optionele extra's:	breed frame, ventilator, kit voor externe luchtaansluiting Ø 100 mm, adapter voor kachelpijp
Productafmetingen, afstanden:	Zie fig. 1

Technische gegevens in overeenstemming met 13229

Nominale warmteafgifte:	7,0 kW
Debiet rookgas:	6,0 g/sec
Aanbevolen schoorsteentrek:	12 Pa
Efficiëntie:	78% @ 7,0 kW
CO-uitstoot (13% O ₂):	0.07%
OGC-uitstoot (13% O ₂):	40 mg/Nm ³
Stofuitstoot	4 mg/Nm ³
Temperatuur rookgas:	296 °C
Bedrijf:	cyclisch

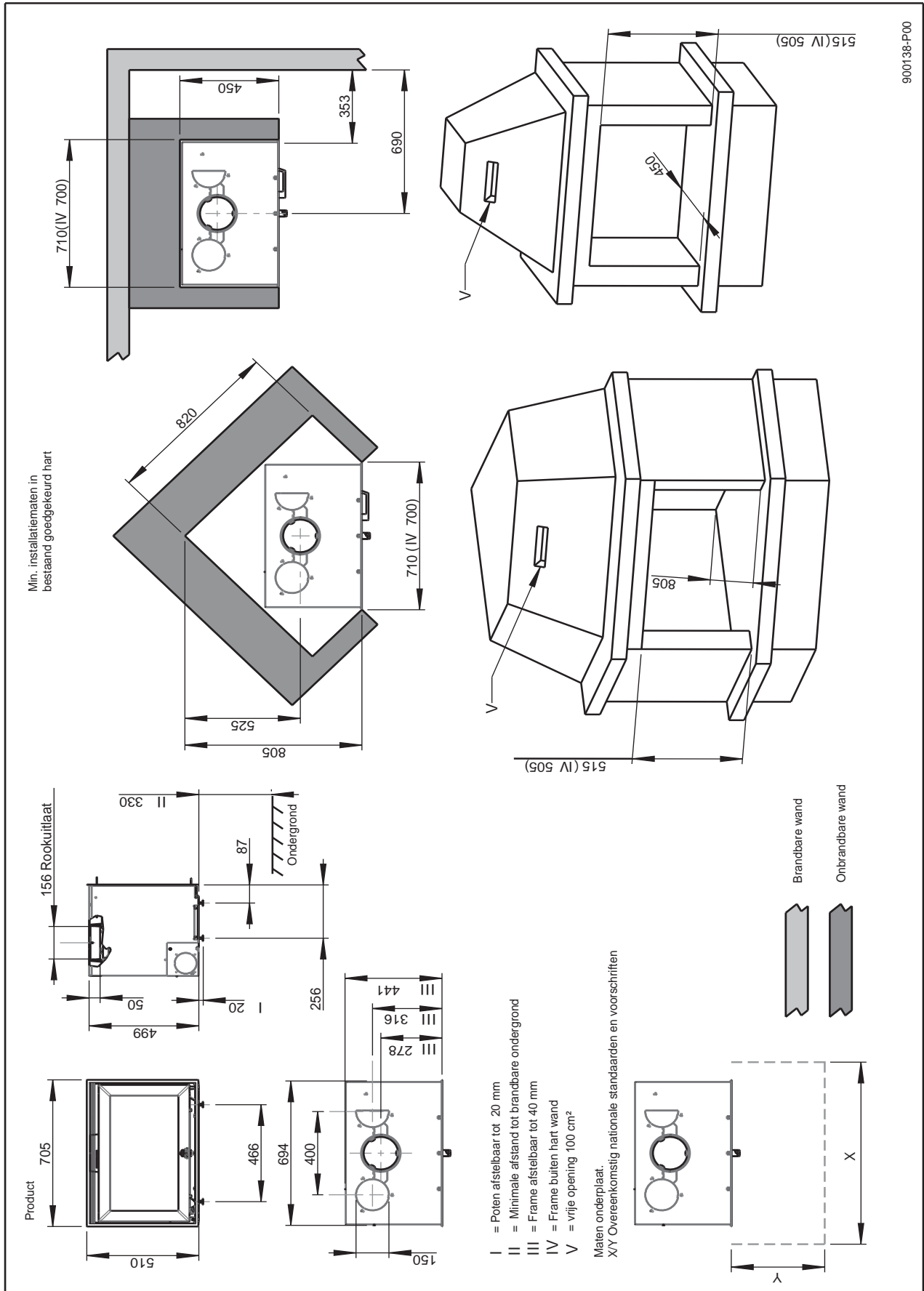
Cyclisch bedrijf betekent normaal gebruik van de haard. Dat betekent dat er, om het vuur aan te wakkeren, meer hout moet worden toegevoegd zodra het vorige hout tot as is verbrand.

Jøtul C 24 met optioneel breed frame



Jøtul C 24 med optioneel smal frame

Fig. 1B



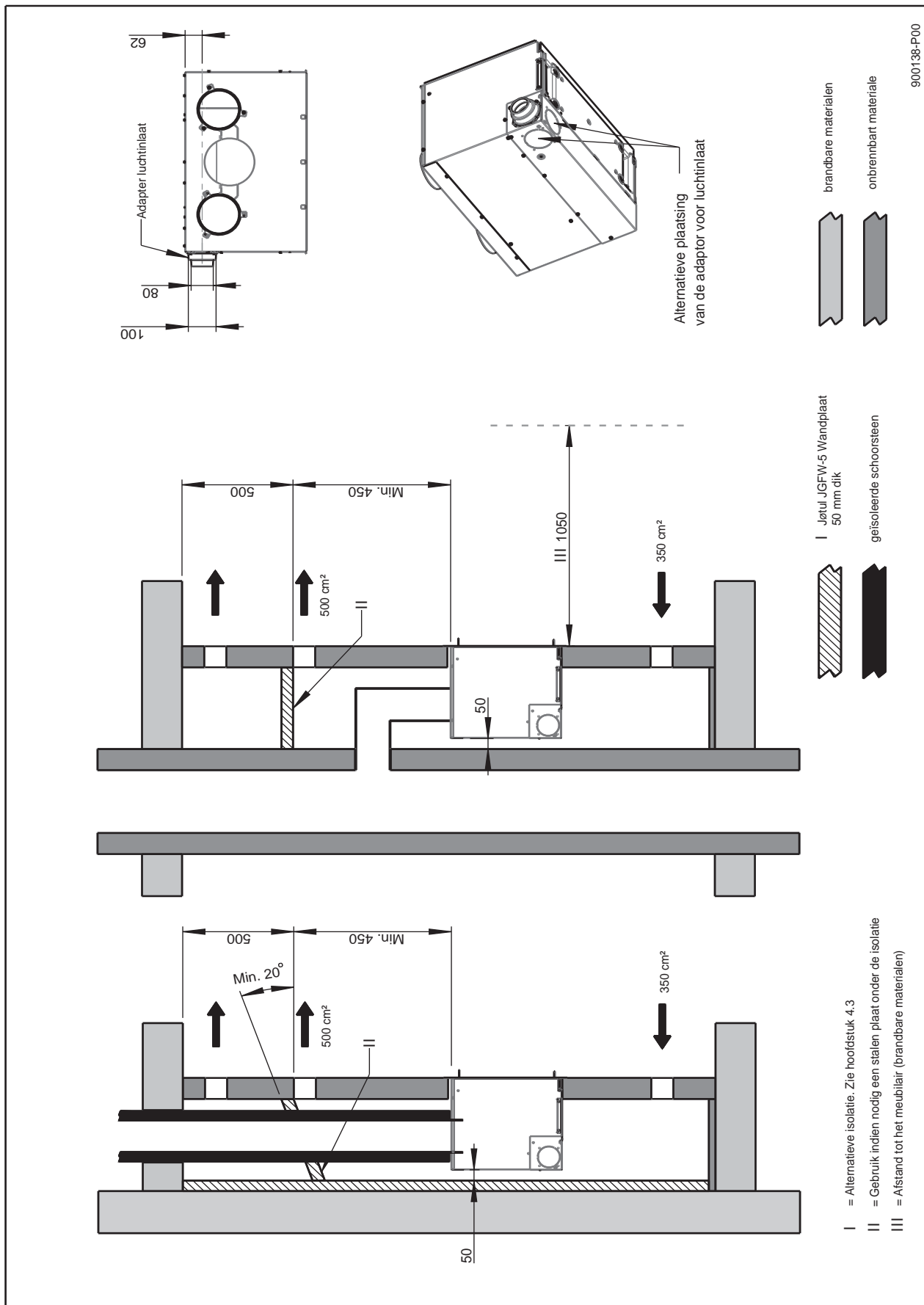


Fig. 2

3.0 Veiligheid

NB! Om optimale prestaties en veiligheid te garanderen, raadt Jøtul aan haar kachels te laten monteren door een gekwalificeerd installateur (zie www.jotul.com voor een volledige dealerlijst).

Aanpassingen aan het product door de distributeur, installateur of consument kunnen ertoe leiden dat het product en de beveiligingen niet naar behoren functioneren. Hetzelfde geldt voor de installatie van niet door Jøtul geleverde accessoires of optionele extra's. Dit kan ook het geval zijn indien essentiële onderdelen voor het functioneren en de veiligheid van de haard gedemonteerd of verwijderd worden.

In al deze gevallen is de fabrikant niet verantwoordelijk of aansprakelijk voor het product en het recht op reclamatie komt hierdoor te vervallen.

3.1 Maatregelen op het gebied van brandpreventie

Elk gebruik van de haard brengt een zeker risico met zich mee. Neem daarom de volgende instructies nauwkeurig in acht:

- De minimale veiligheidsafstanden tijdens het gebruik van de haard zijn weergegeven in **afb. 1**.
- Zorg ervoor dat er geen meubels of andere brandbare materialen te dicht bij de haard staan. Brandbare materialen mogen nooit binnen 1,05 meter afstand van de haard geplaatst worden.
- Laat het vuur vanzelf uitgaan. Blus het vuur nooit met water.
- De haard wordt tijdens gebruik warm en kan bij aanraking brandwonden veroorzaken.
- Verwijder de as niet voordat de haard koud is. De as kan smeulende resten bevatten en moet daarom in een onbrandbare bak worden bewaard.
- De as moet naar buiten worden afgevoerd of worden weggegooid op een plek waar geen brandgevaar bestaat.

Bij brand in de schoorsteen

- Sluit alle luiken en ventilatieopeningen.
- Houd de deur van de vlamkast gesloten.
- Controleer of er rook is op zolder en in de kelder.
- Bel de brandweer.

Voordat u de haard opnieuw in gebruik neemt na een brand, moet een deskundige de haard en de schoorsteen controleren om na te gaan of deze goed werkt.

4.0 Installatie

De Jøtul C 24 is een inzethaard die is ontworpen om in een bestaande haard te worden geplaatst (**fig. 1 B**). Hiertoe is een minimale haardopening vereist van HxBxD = 515x710x450 mm. Als het frame wordt geplaatst op de buitenkant van de haardwanden, mag de opening beperkt worden tot HxBxD = 505x700x450 mm. NB! Er moet ruimte overblijven tussen de cassette en het metselwerk vanwege thermische expansie van de inzethaard. Het product past ook in een nieuwe haardombouw (**fig. 1 A**). De haardombouw moet een minimale opening hebben van HxBxD = 515x715x490 mm. Het is belangrijk dat er ruimte overblijft voor isolatie rond de ombouw. Bij gebruik van een breed frame (optie), overlappen de openingen met HxB = 558x755 mm.

Het product wordt geleverd met een smal frame. Het is mogelijk dit frame en een breed frame (optie) tot 40 mm te verplaatsen om het eenvoudiger te maken het product af te stellen op de verschillende posities van de kachelpijp.

4.1 Vloer

Fundering

Controleer of de fundering geschikt is om een kachel te dragen, zie "2.0 Technische gegevens" voor het gespecificeerde gewicht.

Eisen voor het beschermen van een houten vloer onder de kachel

Het product kan rechtstreeks op een houten vloer worden geplaatst, waarbij de vloer moet worden afgedekt met een plaat van metaal of van een ander onbrandbaar materiaal. De aanbevolen dikte bedraagt minimaal **0,9 mm** en de plaat moet het hele omringende vloeroppervlak bedekken.

Wij raden aan om vloeren die niet aan de fundering zijn bevestigd (zgn. "zwevende vloeren") uit het installatiegebied te verwijderen.

Jøtul raadt aan dat alle vloeren van brandbaar materiaal, zoals linoleum, tapijt, enz. onder de vloerplaat verwijderd moet worden.

Eisen voor het beschermen van brandbare vloeren vóór de kachel

Bescherm de vloer vóór de kachel met een plaat van metaal of van een ander onbrandbaar materiaal. De aanbevolen dikte is minimaal 0,9 mm.

De vloerplaat moet aan de nationale wet- en regelgeving voldoen.

Neem contact op met de plaatselijke bouwtoezichtinstanties voor informatie over beperkingen en installatie-eisen.

4.2 Plafond

Afstand van ventilatoren voor warme lucht aan de bovenkant (**fig. 1B-V of fig. 2**) tot een plafond van brandbaar materiaal: minimaal 500 mm.

4.3 Isolatie-eisen

Als de cassette wordt geplaatst in een ombouw en de brandbare muren worden beschermd door isolatiemateriaal, kan voor dit isolatiemateriaal de volgende typen en dikten worden gehanteerd:

50 mm Jøtul JGFW-5 brandbestendige plaat (specifieke thermische geleidbaarheid = λ waarde = 0,06 W/mK)

50 mm (min. 38 mm) Rockwool (λ waarde = 0,046 W/mK)

50 mm (min. 31mm) Rockwool (λ waarde = 0,037 W/mK)

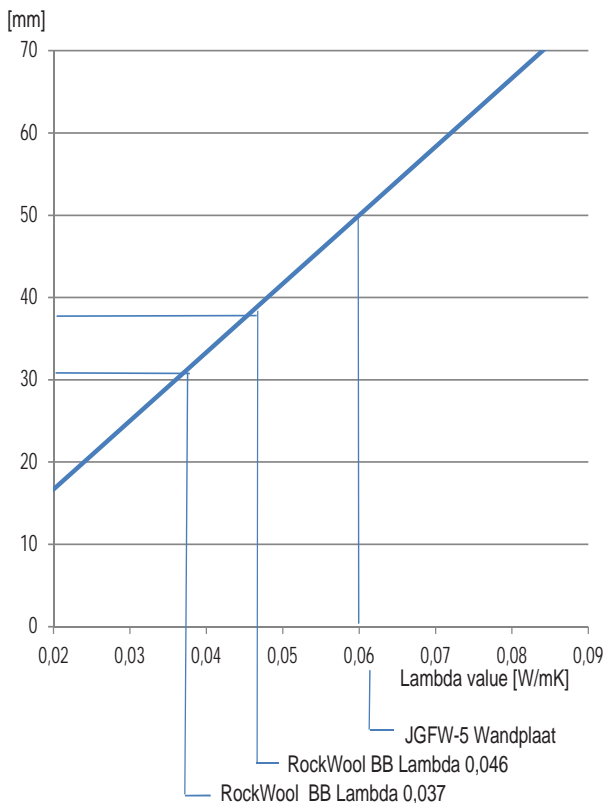
Andere materialen mogen worden gebruikt. Zie fig. 33 voor minimale isolatiedikten voor bekende Lambda-waarden (λ).

NB: De isolatie moet goed worden vastgezet om te voorkomen, dat er warmte door het materiaal geleid wordt naar brandbare

muren.

Fig 33

Minimumisolatie dikte



4.4 Externe luchtaansluiting

Waarschuwing! Zorg voor voldoende luchttoevoer van buiten naar de ruimte waarin de haard wordt geplaatst. Bij onvoldoende luchttoevoer kan rookgas in de kamer terechtkomen. Dit is zeer gevaarlijk! Als u rook ruikt of als u slaperig, misselijk of ziek wordt, kan dit erop duiden dat er rookgas in de kamer is terechtkomen.

Als de behuizing volledig is afgedicht en geïsoleerd en/of uitgerust is met een mechanisch luchtafvoersysteem, moet de kamer worden voorzien van ventilatoren of een apart kanaal voor een extra toevoer van buitenlucht. Het kanaal voor frisse lucht moet zo recht mogelijk zijn. Kanalen in de ruimte waarin de haard wordt geplaatst, moeten zijn gemaakt van een onbrandbaar materiaal zoals een flexibele aluminium pijp met een binnendiameter van 80 of 100 mm. Een aansluiting voor een kanaal voor frisse lucht wordt met het product meegeleverd. Deze aansluiting kan op drie verschillende plaatsen worden bevestigd (fig. 2) of nadat het kanaal voor luchttoevoer van buiten in het product is geplaatst. Een set voor externe luchtaansluiting met lichtkanaal, wandrooster en isolatie is als optie verkrijgbaar. Als de luchttoevoer van buiten niet via een apart kanaal verloopt, moet de hendel (fig. 27A) in de open-positie worden gezet. Als de lucht naar het product via een extern lichtkanaal verloopt, moet de hendel in de gesloten-positie worden gezet. Zie hoofdstuk 4.11 voor de installatie van een externe luchtaansluiting.

4.5 Luchtcirculatie

Indien geïnstalleerd in een nieuwe haardombouw (fig. 2), moet er lucht kunnen circuleren tussen de cassette en het metselwerk.

Min. circulatie lucht:

Onder: 350 cm² vrije opening.

Boven: 500 cm² vrije opening.

Dit is een veiligheidsmaat die ervoor moet zorgen, dat de warmteopbouw binnen de haardombouw niet te groot wordt en dat de warmteafgifte in de ruimte goed is. Als het product wordt geïnstalleerd in een goedgekeurde haard, kunnen de openingen aan de onderkant achterwege worden gelaten en is het voldoende aan de bovenkant een opening aan te houden van 100 cm². Zie hoofdstuk 4.6.

4.6 Verspreiding warme lucht/ventilator

Om de warme lucht vanuit de cassette te verspreiden, kan er gebruik worden gemaakt van een of twee kanalen met een binnendiameter van 150 mm. Heteluchtkanalen moeten zijn gemaakt van een hittebestendig, onbrandbaar materiaal, bijv. flexibele aluminium kanalen. Deze kanalen kunnen extreem heet worden en het is belangrijk, dat zij niet in contact komen met een brandbaar materiaal. Er worden twee aansluitingen voor de kanalen met het product meegeleverd (kanalen niet meegeleverd).

Het probleem van kleurverandering van verf net boven de cassette wordt beperkt door het gebruik van heteluchtkanalen. Om de verspreiding van warme lucht te verhogen, kan er een ventilator (optie) in het product worden geplaatst. Ongeacht of de kanalen zijn geïnstalleerd voor verspreiding van warme lucht of niet, deze ventilator kan altijd worden gemonteerd. De ventilator moet worden gemonteerd voordat het product wordt geïnstalleerd. Zie de gebruikshandleiding voor installatie van de ventilator (met de ventilator meegeleverd).

4.7 Schoorsteen en kachelpijp

- De haard kan worden aangesloten op schoorstenen en kachelpijpen die zijn goedgekeurd voor haarden op vaste brandstof met rookgastemperaturen zoals gespecificeerd in «2.0 Technische gegevens».
- De doorsnede van de schoorsteen moet minimaal gelijk zijn aan die van de kachelpijp. Gebruik «2.0 Technische gegevens» om de juiste doorsnede van de schoorsteen te berekenen. NB! De aanbevolen minimale schoorsteenlengte is 3,5 m.
- Voor de aanbevolen schoorsteentrek, zie «2.0 Technische gegevens». Als de trek te sterk is, moet u dit verhelpen. Monteer bijv. een klep in de kachelpijp om de trek te verminderen.
- De schoorsteen en het veegluik moeten worden geïnspecteerd om er zeker van te zijn dat ze volledig zijn afgedicht om lekkages te voorkomen. Als er een lek is, zal er minder lucht door de kachel worden aangetrokken. Uw plaatselijke specialist op het gebied van brandveiligheid kan een inspectie van uw schoorsteen uitvoeren.
- De schoorsteen moet worden aangesloten in overeenstemming met de installatie-instructies van de schoorsteenleverancier.
- De schoorsteen moet worden aangesloten in

overeenstemming met de installatie-instructies van de schoorsteenleverancier.

- Het is zeer belangrijk dat de aansluitingen enigszins flexibel zijn. Zo wordt voorkomen dat kleine verplaatsingen tijdens de installatie tot barsten leiden.
- Het is belangrijk dat de verbindingen/kachelpijpen volledig zijn afgedicht. Luchtlekkage kan tot storingen leiden.
- Een adapter die het makkelijker maakt de kachelpijp te installeren is als optie verkrijgbaar. Zie hoofdstuk 4.11.
- Gebruik een kachelpijpbocht met een veegluik, zodat de pijp kan worden geveegd. Bij het veegluik moet een rookgasbocht, die de richting van het rookgas met meer dan 45° verandert, worden geïnstalleerd. Het is mogelijk de schoorsteen vanuit de binnenkant van de verbrandingskamer te vegen. Zie hoofdstuk 7.2.
- NB: Voor het goed functioneren van het product is een juiste en luchtdichte aansluiting van zeer groot belang.
- Gewicht mag niet van de haardconstructie naar de schoorsteen worden overgebracht. De haardconstructie mag het bewegen van de schoorsteen niet hinderen en de constructie mag niet aan de schoorsteen worden verankerd.

4.8 Voorafgaand aan de installatie

Controleer of de Jøtul C 24 in de haard of ombouw past, fig. 1 laat de minimale afmetingen zien. Er moet ruimte overblijven tussen de cassette en het metselwerk vanwege thermische expansie van de inzethaard. De haard moet voorafgaand aan de installatie grondig worden schoongemaakt. Om een onaangename geur in de kamer te voorkomen, is het belangrijk oud roet en teer dat zich heeft afgezet in de haard grondig te verwijderen. Gebruik hiervoor een geschikt schoonmaakmiddel.

Het standaardproduct zit in twee verpakkingen.

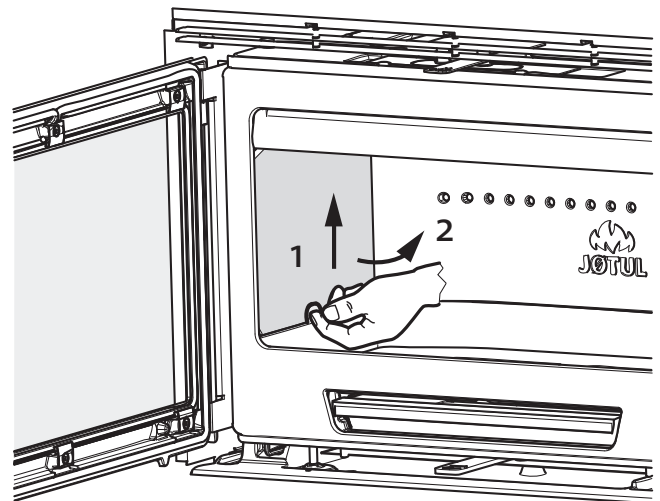
- Verwijder, zodra het product is uitgepakt, de zak met schroeven en de doos met de externe luchtaansluiting, 2 aansluitingen voor heteluchtafvoer en de hittebestendige handschoenen uit de verbrandingskamer.
- Verwijder ook de aslade, het bodemrooster en het houten blok (gebruikt voor transport) onder de rookuitlaat van het product.
- Controleer het product op tekenen van beschadiging en of de bedieningshendels werken.

4.9 Omkeren van scharnieren

Het is mogelijk het deurtje van de Jøtul C 24 te veranderen van linksscharnierend naar rechtsscharnierend. Mocht u de scharnieren willen omkeren, dan moet u dit voorafgaand aan de installatie doen. Mocht u de scharnieren niet willen omkeren, ga

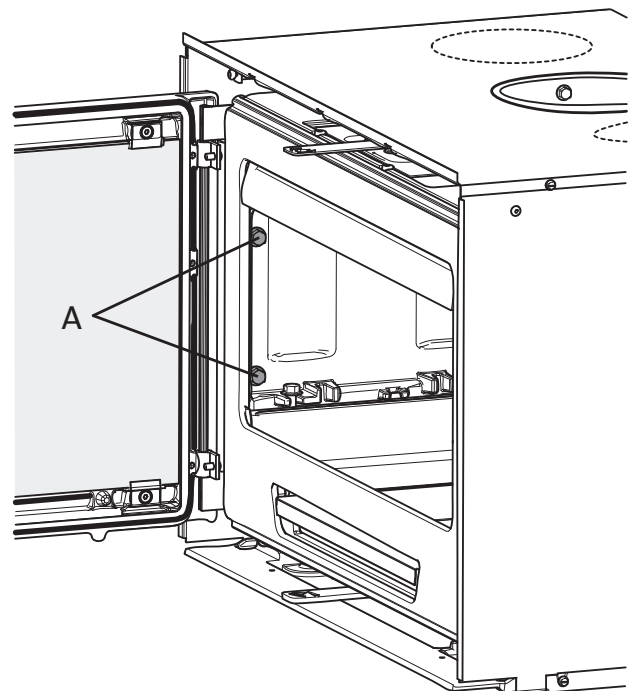
dan verder naar hoofdstuk 4.10.

Fig. 3



1. Verwijder de branderplaten aan de zijkanten door ze wat op te tillen en aan de onderkant naar buiten te trekken.

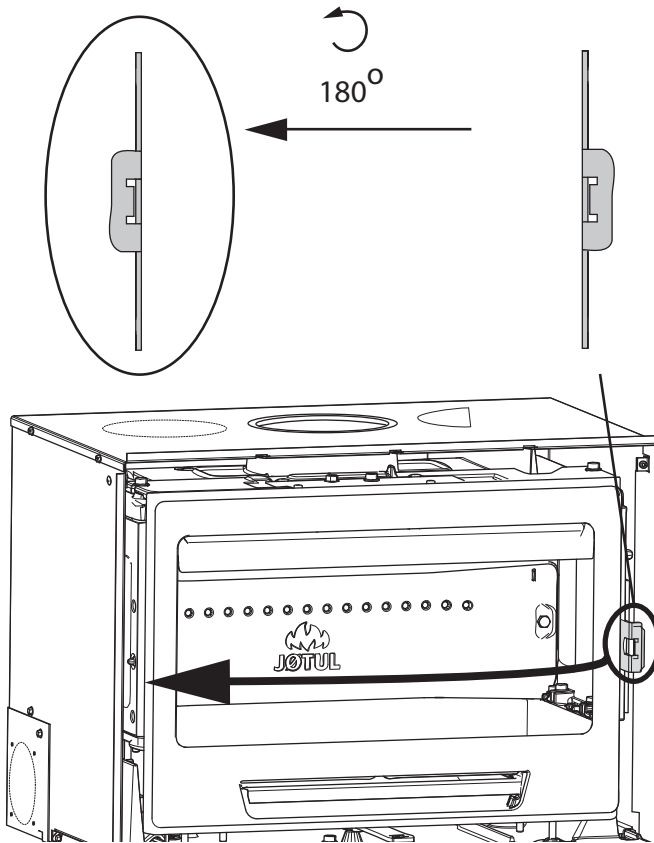
Fig. 4



2. Haal de 2 schroeven (fig. 4A) los, die de scharnieren op hun plek houden. Houd de deur zo, dat deze niet voorover valt bij het losdraaien van de laatste schroef.
3. Plaats de deur op de kop op een zachte ondergrond.

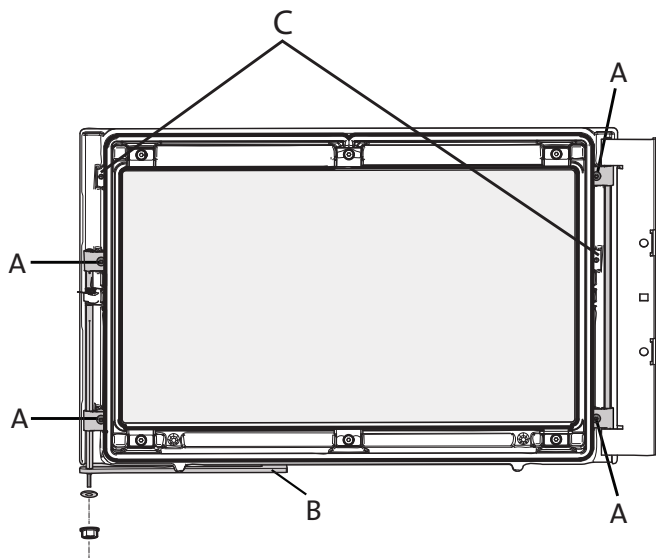
NEDERLANDS

Fig. 5



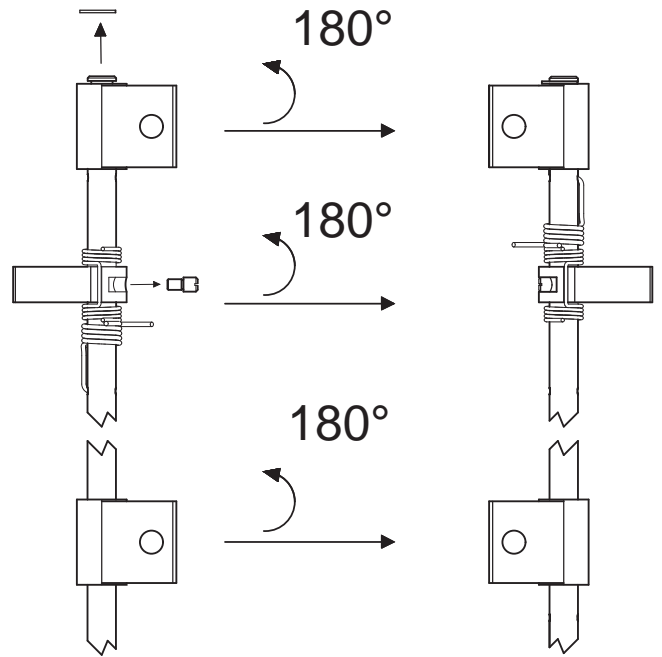
4. Verwijder het vergrendelmechanisme aan de rechterkant van het product en bevestig dit mechanisme aan de linkerkant op de plek waar de deurscharnieren eerst zaten.

Fig. 6



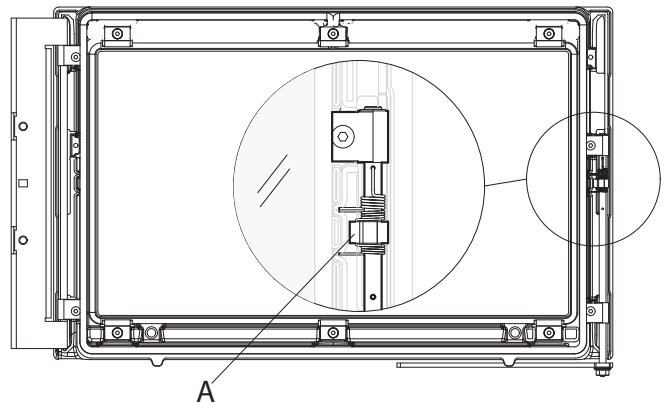
5. Verwijder de hendel (fig. 6B) van de deurvergrendeling. Haal de 4 schroeven (fig. 6A) los, die de deurvergrendeling en de scharnieren op hun plek houden. Schraap eventuele lijmresten van het oppervlak (fig. 6C).

Fig. 7



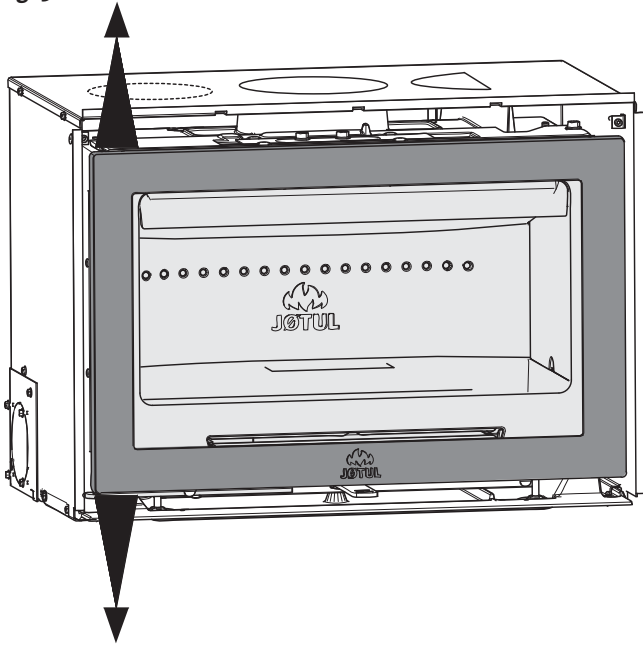
6. Draai de onderdelen op de as van de deurvergrendeling 180° om.

Fig. 8



7. Installeer de deurvergrendeling en de scharnieren aan de tegenovergestelde kant (fig. 8).
8. Plaats de deur op het product. NB: de positie van de deur kan iets worden afgesteld door de schroeven (fig. 4A) iets los te draaien. Draai de schroeven vast.
9. Plaats de hendel terug.

Fig. 9



10. De deur kan ook iets naar boven of naar beneden worden afgesteld aan de kant van deurvergrendeling door deze voorzichtig in positie te plaatsen

NB! De deur kan niet helemaal worden afgesloten tijdens deze afstelling!

4.10 Montage/installatie met eenvoudige toegang achter het product.

Installation

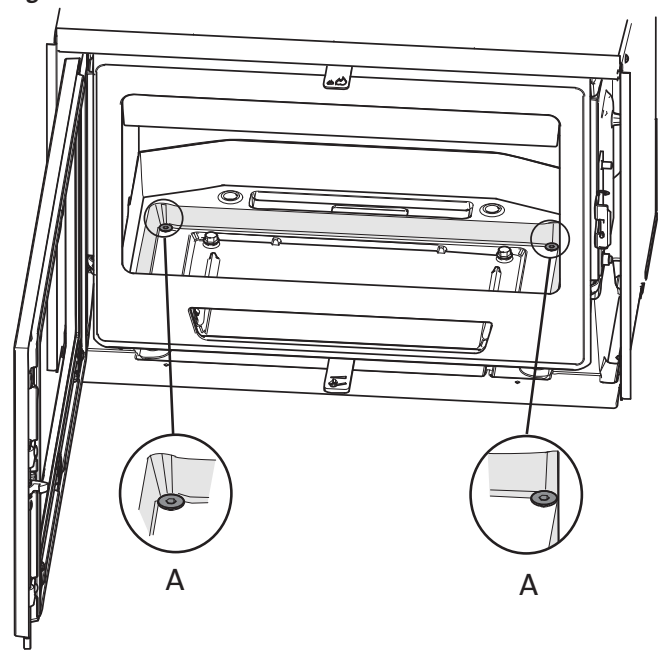
Het product is zwaar! Zorg voor hulp bij het plaatsen en installeren.

Als de ruimte achter het product eenvoudig toegankelijk is, kan het product direct in de ombouw worden geplaatst. Als het product in de juiste positie staat, kan het worden aangesloten op de kachelpijp, het buitenluchtkanaal, de ventilator en de heteluchtkanalen. Als er achter het product geen of weinig ruimte beschikbaar is zodra het in positie is gebracht, raden wij u aan eerst hoofdstuk 4.11 te lezen voor een aantal voorbeelden over hoe u in deze situatie te werk moet gaan.

1. Plaats het product dusdanig in de ombouw, dat het voorste deel van het product en het voorste deel van de ombouw

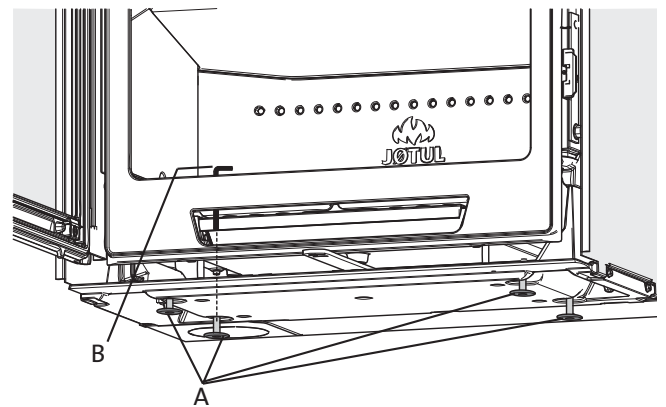
gelijk liggen.

Fig. 10



2. Haal de 4 schroeven (fig. 10A) onder het bodemrooster los met de 5 mm-inbussleutel in de zak met schroeven.

Fig. 11

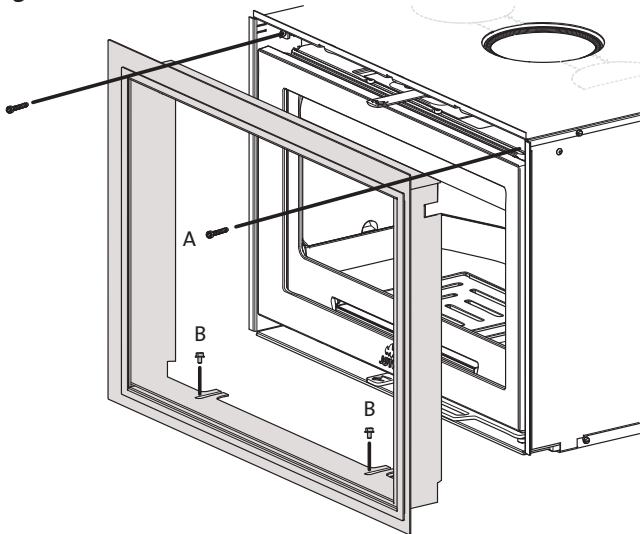


3. Stel de 4 pootschroeven (Fig. 11A) af onder de schroeven die u net hebt losgemaakt totdat het product waterpas staat. Gebruik hiervoor de 4 mm-inbussleutel (fig. 11B) uit de zak

NEDERLANDS

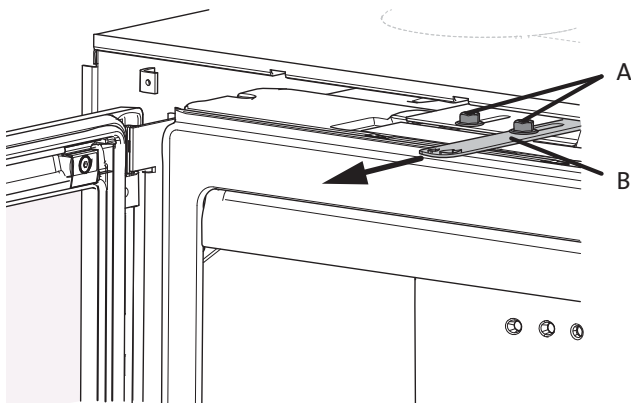
met schroeven.

Fig. 12



4. Haal het frame uit de verpakking en zet het losjes op de daarvoor bestemde plek vast. Een breed frame is als optie verkrijgbaar.

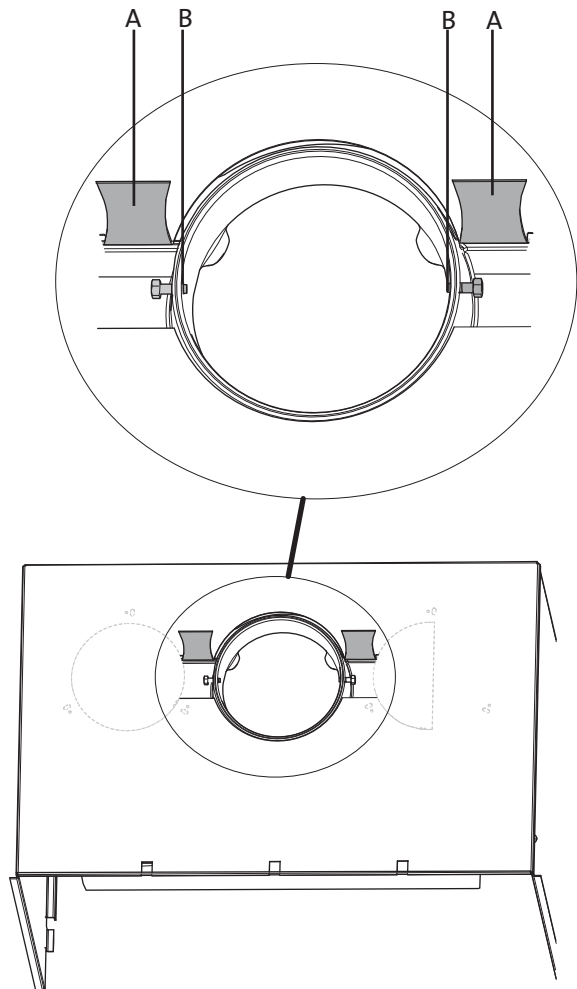
Fig. 13



5. Indien nodig kunnen de 2 moeren (fig. 13A) iets worden losgehaald en kan de primaire luchttoevoer (fig. 13B) iets naar voren worden getrokken. Hierdoor wordt het gemakkelijker bereikbaar. Haal de moeren vervolgens aan.
6. Haal, als alles er goed uitziet, de 4 schroeven (fig. 10 A) die eerder waren verwijderd nu weer aan.
7. Zet het frame nu vast met de schroeven (fig. 12 A en B) uit de zak in de verpakking van het frame.

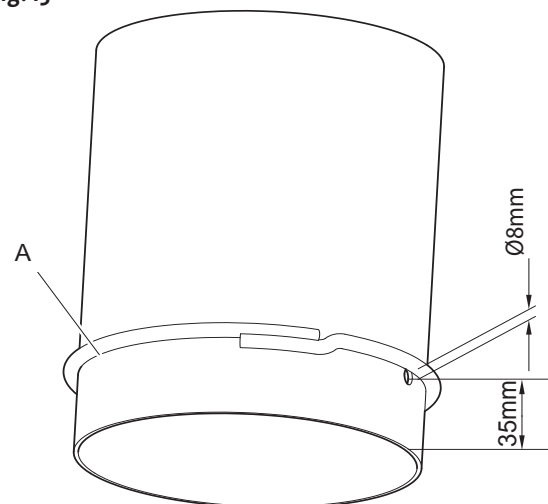
Plaatsing van de kachelpijp

Fig. 14



1. Open de 2 aansluitpunten (fig. 14A) naast de rookuitlaat en verwijder de 2 schroeven (fig. 14B).

Fig. 15



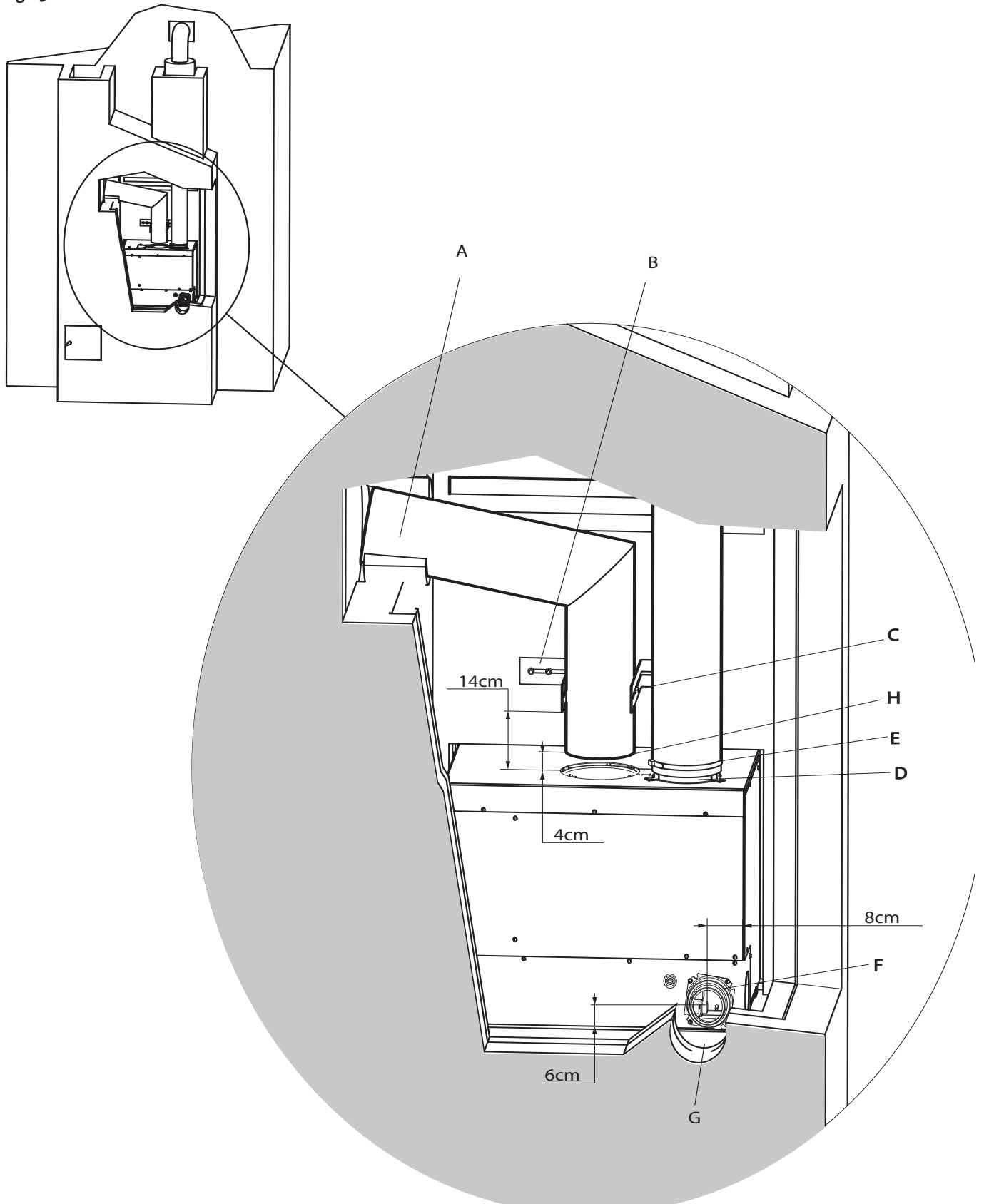
2. Maak 2 gaten van $\text{Ø } 8 \text{ mm}$ voor het vastdraaien van de schroeven in de kachelpijp. Plaats de pakking (A) op de kachelpijp.
3. Plaats de kachelpijp op de aansluiting en zet deze met schroeven vast (fig. 14). Sluit de aansluitpunten vervolgens weer af (fig. 14A).

4. Plaats alle losse onderdelen die van het product zijn gehaald nu weer terug. Zie hoofdstuk 4.7

4.11 Montage/installatie zonder toegang achter het product

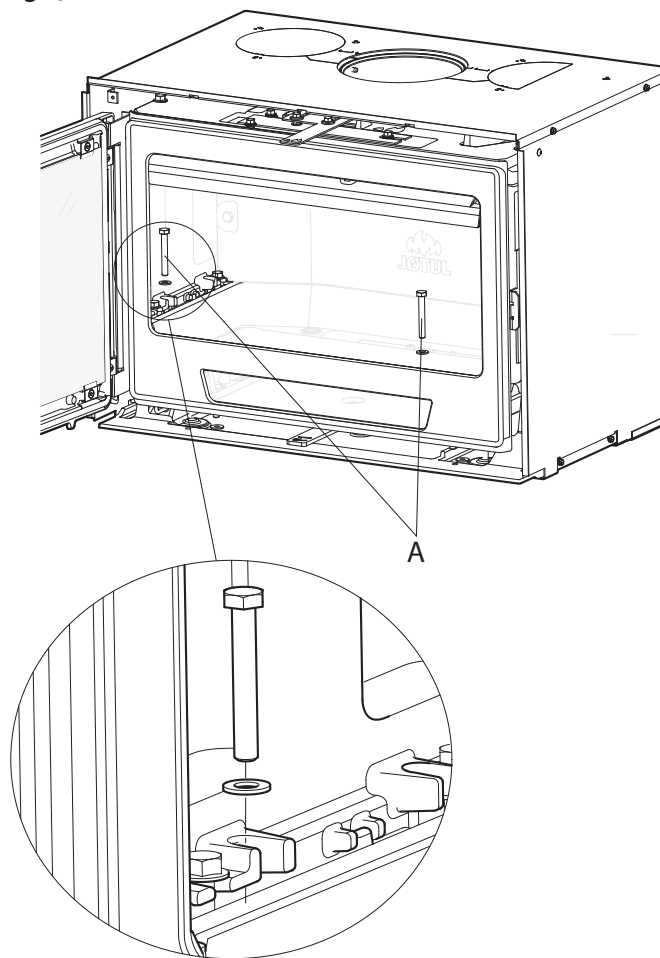
De Jøtul C 24 kan, indien geplaatst in een haard of ombouw, worden geïnstalleerd zonder toegang tot de achterkant van het product. Voor deze installatiemethode is een optionele adapter voor de kachelpijp vereist (fig. 21A).

Fig. 19



1. Verwijder de branderplaten aan de zijkant, het schot en de uitlaatplaat, zoals omschreven in hoofdstuk 6. Hiervoor is geen gereedschap nodig.

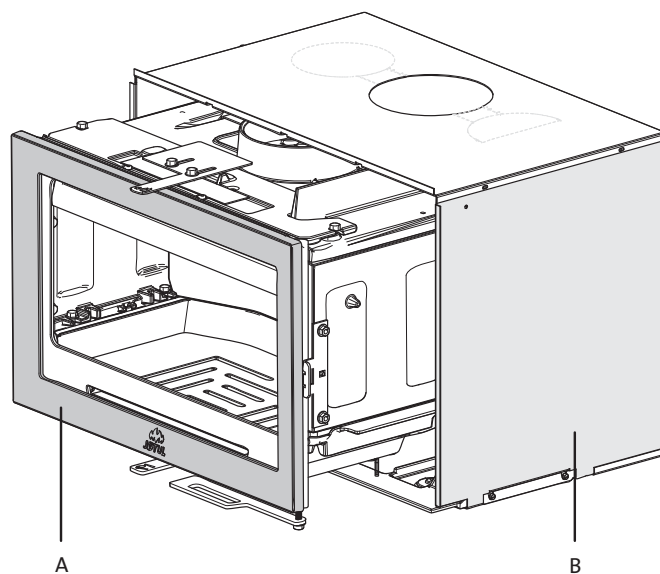
Fig. 17



NB! Stap 2 is alleen nodig als gebruik wordt gemaakt van heteluchtkanalen!

2. Verwijder de 2 schroeven en ringen (fig. 17A).

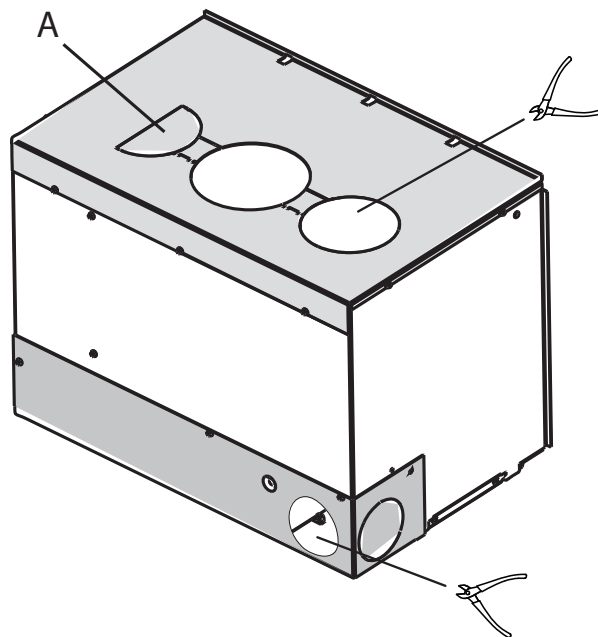
Fig. 18



NB! Stap 3 is alleen nodig als gebruik wordt gemaakt van heteluchtkanalen!

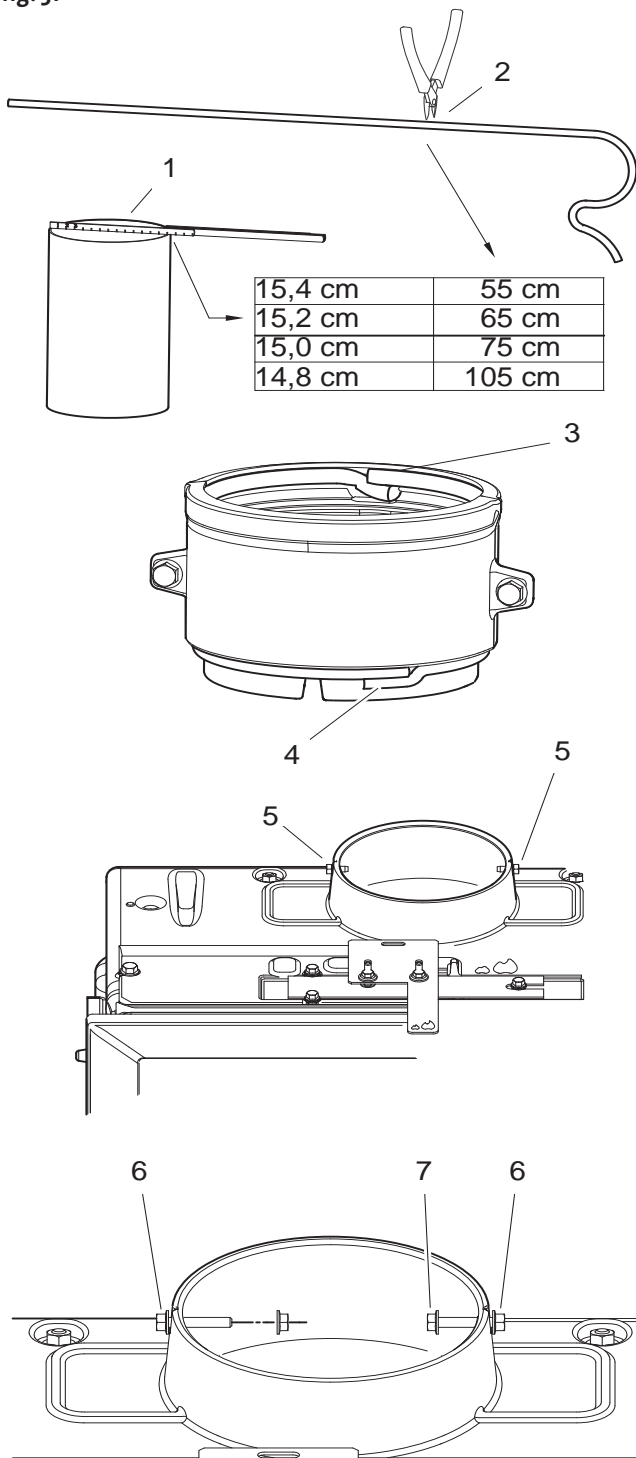
3. Sluit de deur en trek de gehele verbrandingskamer (fig. 18A) uit de convectiekamer (Fig. 18B). NB! Leg een beschermende afdekking onder de verbrandingskamer om beschadiging aan de vloer te voorkomen.
4. Installeer de kachelpijp (fig. 19A) op de correcte positie, zodat deze 4 cm boven de cassette eindigt. Zie fig. 1 voor de afmetingen. De beugels (fig. 19B) moeten stevig op het metselwerk worden vastgezet. Gebruik hiervoor de rekbouten in de set voor de adapter (optie). De gaten in de ombouw voor de rekbouten zijn $\varnothing 6$ mm. De beugels mogen niet lager dan 14 cm boven de cassette worden geplaatst.
5. Installeer de kachelpijp (fig. 19A) op de correcte positie, zodat deze 4 cm boven de cassette eindigt. Zie fig. 2 voor de afmetingen. De beugels (fig. 19B) moeten stevig op het metselwerk worden vastgezet. Gebruik hiervoor de rekbouten in de set voor de adapter (optie). De gaten in de ombouw voor de rekbouten zijn $\varnothing 6$ mm. De beugels mogen niet lager dan 14 cm boven de cassette worden geplaatst.
6. Bevestig de aansluiting (fig. 19D) die meegeleverd is op het flexibele heteluchtkanaal met behulp van een slangklem (fig. 19E). Voltooi de installatie in de ombouw. De aansluiting moet op dezelfde hoogte uitkomen als de bovenkant van de cassette.
7. Kies de meest geschikte positie voor de aansluiting (fig. 19F) als er een buitenluchtkanaal wordt geplaatst (zie fig. 2). Maak voor het kanaal gaten in de haard of de ombouw (fig. 19G).
8. Let erop dat de hendel voor de luchtinlaat (fig. 27A) in de juiste positie is (gesloten).

Fig. 20



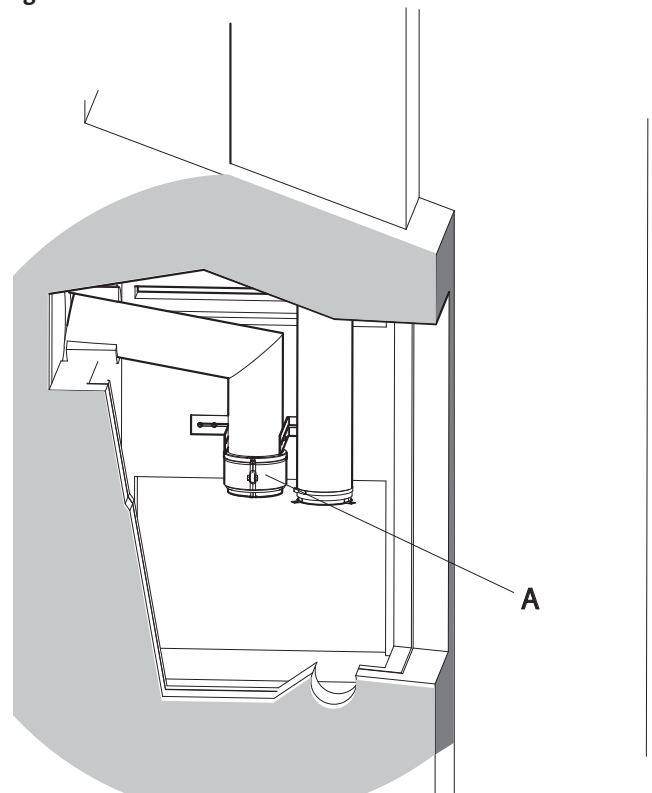
9. Snij de toepasselijke openingen uit de convectiekamer. Let erop dat het gat (fig. 20A) voor de verspreiding van hete lucht de vorm van een halve maan heeft.
10. Zet de externe luchtaansluiting (fig. 19F) in elkaar en bevestig het flexibele buitenluchtkanaal met een slangklem.

fig. 31



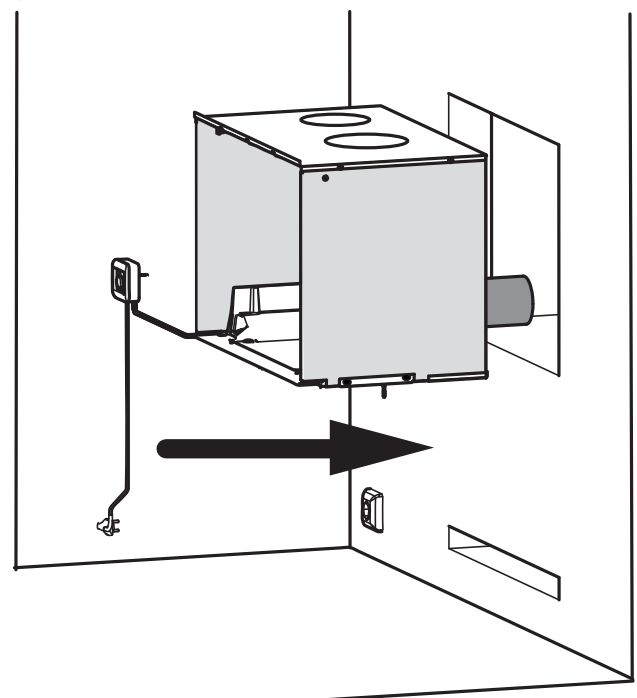
1. Meet de buitendiameter van de kachelpijp op.
2. Snij een stuk van de meegeleverde dikke, zelfklevende pakking af.
3. Breng de pakking op de adapter aan. Begin bij stap 3 (fig. 31).
4. Breng de dunne pakking aan, zoals aangegeven in stap 4 (fig. 31).
5. Verwijder de twee schroeven van de rookuitlaat op de verbrandingskamer (fig. 31-5).
6. Haal de twee 35 mm-schroeven (uit de zak) aan, zoals aangegeven in stap 6 (fig. 31).
7. Haal de twee buitenste moeren op de schroeven aan, zoals aangegeven in stap 7 (fig. 31).

Fig. 21



11. Bevestig de adapter van de kachelpijp (fig. 21A). Bevestig de adapter van de kachelpijp met een stuk tape, zodat deze niet kan vallen. De haard/ombouw is nu klaar om in de convectiekamer te worden geplaatst. Als er een ventilator wordt geïnstalleerd, moet dat nu worden gedaan. Bij de ventilator is een aparte gebruikshandleiding meegeleverd.

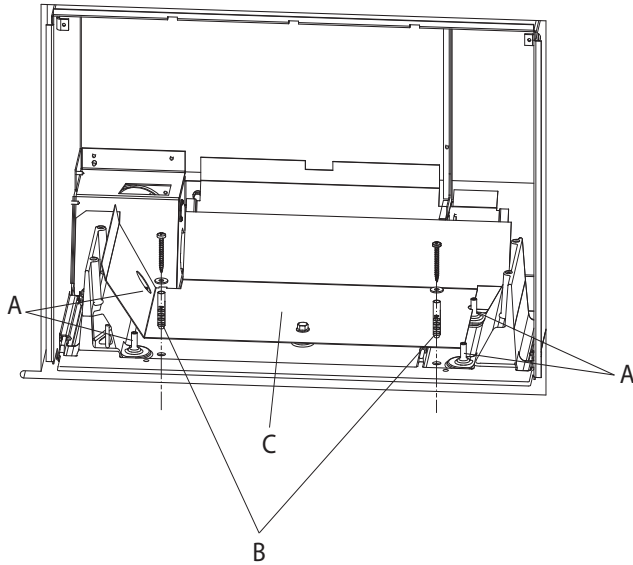
Fig. 22



12. Plaats de convectiekamer op zijn plek. Als er geen heteluchtkanalen worden geïnstalleerd, kan het hele product nu op zijn plek worden gezet.

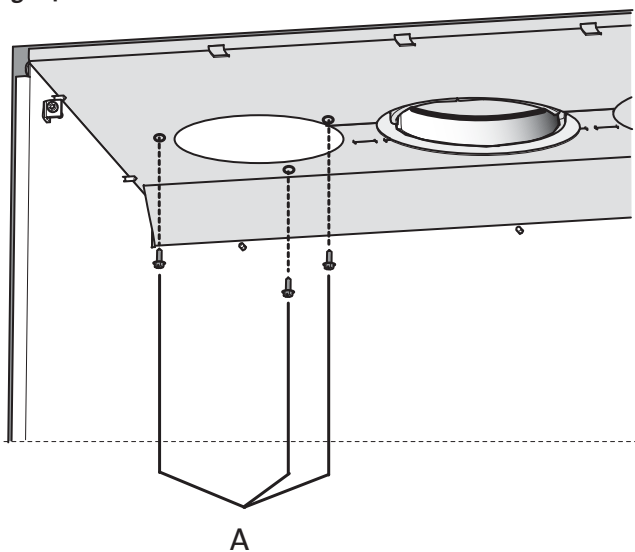
NEDERLANDS

Fig. 23



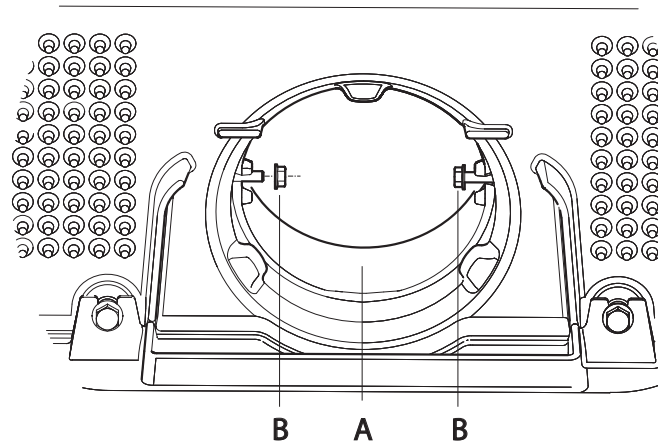
13. Zie fig. 10 en 11 als het hele product in de ombouw/haard is geplaatst.
14. Stel de vier pootschroeven (fig. 23A) af met behulp van de 4 mm-inbussleutel uit de zak met schroeven totdat het product waterpas staat.
15. Probeer eerst of het frame past (fig. 12) en controleer of de adapter van de kachelpijp is uitgelijnd op het middelste gat in de convectiekamer.
16. Boor 2 $\text{\O}10$ mm gaten (fig. 23B) in de haard en zet de convectiekamer op zijn plaats vast met schroeven en ringen uit de zak met schroeven.
17. Als deze schroeven niet goed pakken, zijn er nog twee andere bevestigingsmogelijkheden onder het hitteschild (fig. 23C).

Fig. 24



18. Bevestig ieder heteluchtkanaal aan de convectiekamer met behulp van 3 tapschroeven (fig. 24A) uit de zak met schroeven.
19. Plaats de verbrandingskamer (fig. 18A) in de convectiekamer en zet deze vast met de schroeven (fig. 17 A).

Fig. 25

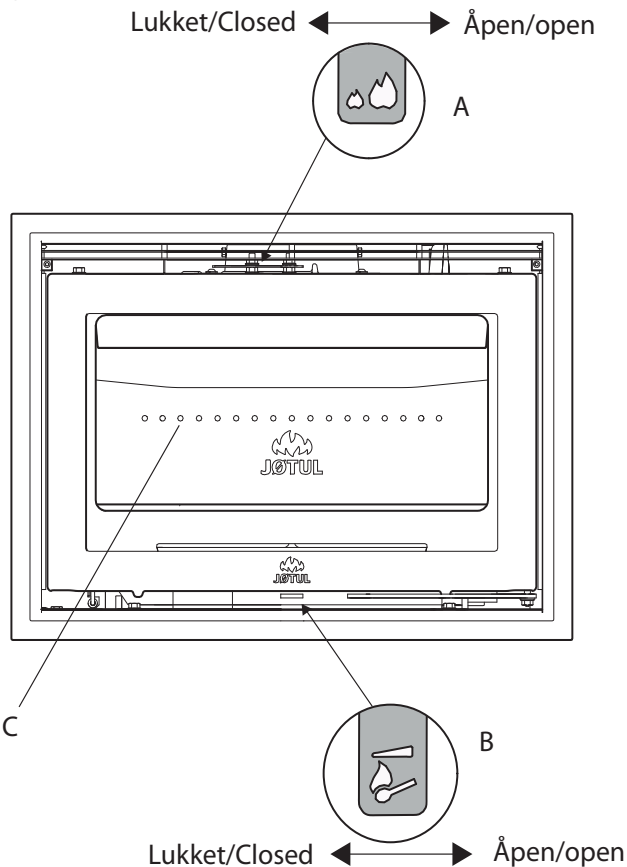


20. Trek de adapter (fig. 25A) stevig naar beneden en haal de moeren (fig. 25B) kruislings aan om te voorkomen dat de adapter scheef komt te staan. Plaats het frame (fig. 12)
21. Plaats alle losse onderdelen die van het product zijn gehaald nu weer terug.

4.12 Prestatiecontrole

Als het product is gemonteerd, moet u altijd de bedieningshendels controleren. Deze moeten makkelijk bewegen en goed werken.

Fig. 26



De Jøtul C 24 is voorzien van de volgende bedieningsopties:

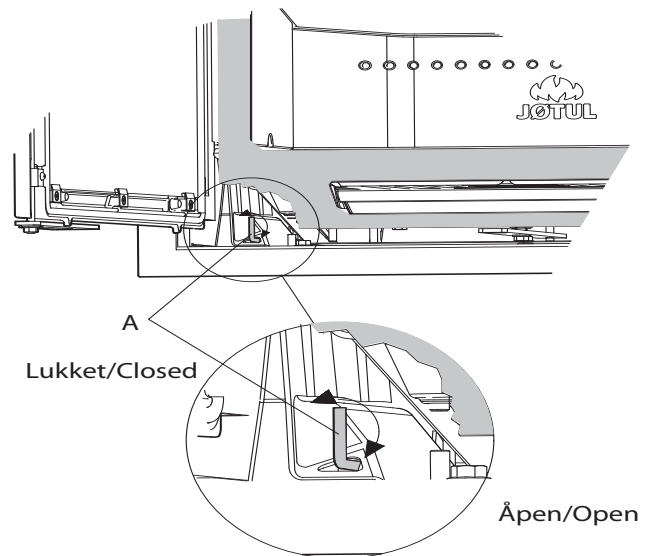
Luchtopening (fig. 26A)

Links gesloten
Rechts volledig geopend

Ontstekingsopening (fig. 26B)

Links gesloten
Rechts volledig geopend

Fig. 27



- De hendel voor luchtinlaat (fig. 27A) zit achter de voorkant. Als een buitenluchtkanaal (hoofdstuk 4.4) wordt geïnstalleerd, moet de hendel in de gesloten positie staan. Draai de hendel naar links.
- Als er geen buitenluchtkanaal wordt geïnstalleerd, moet de hendel in de open positie staan. Draai de hendel naar rechts.

NB! De enige keer dat de hendel moet worden ingesteld, is als het product wordt geïnstalleerd.

De kachel aansteken

- Open de ontstekings- en luchtopeningen door de bedieningshendels naar rechts te draaien. (Gebruik een handschoen of iets vergelijkbaars als de bedieningshendels heet zijn).
- Open de ontstekings- en luchtopeningen door de bedieningshendels naar rechts te draaien. (Gebruik een handschoen of iets vergelijkbaars als de bedieningshendels heet zijn.).
- Plaats ten slotte een middelgroot blok op deze stapel.
- Plaats 2 of 3 briketten of aanmaakblokken onder de bovenste laag aanmaakhout en steek het vuur aan.

Het vuur stoken

- Sluit de ontstekingsopening (fig. 26 B) als het hout goed brandt.
- Daarna kunt u de verbranding reguleren en met behulp van de luchtopening voor meer of minder warmte zorgen (Fig. 26A).
- Controleer of de naverbranding (secundaire verbranding) goed op gang komt. Dat is het geval als er gele, flikkerende vlammen voor de gaten onder het schot op gang komen (Fig. 26C).
- Als de luchttoevoer normaal is, regelt het vuur zichzelf.

Belangrijk! Een onvoldoende luchttoevoer kan resulteren in slechte verbranding, hoge uitstoot en een lager efficiëntieniveau.

Het bijvullen van houtblokken

- Stook de kachel regelmatig op, maar gebruik steeds kleine hoeveelheden hout tegelijk.
- Als de kachel te vol is, kan de hitte voor extreme druk in de schoorsteen zorgen.

NEDERLANDS

- Voeg altijd met mate hout bij.
- Vermijd smeulend vuur, omdat dit het meest vervuילend is.
- Het vuur is het beste als het goed brandt en de rook uit de schoorsteen nauwelijks zichtbaar is.

4.13 Waarschuwing voor oververhitting

Stook de kachel nooit te heet!

Oververhitting treedt op als de kachel te veel hout bevat en/of de luchtklep te ver openstaat, zodat er te veel hitte wordt ontwikkeld. Een duidelijk teken van oververhitting is dat kachelonderdelen rood gloeien. In dat geval moet u de luchtopening direct verkleinen.

Vraag om deskundig advies als u vermoedt, dat de schoorsteen niet naar behoren trekt (te veel of te weinig trek). (Zie «4.7 Installatie» (Schoorsteen en kachelpijp) voor meer informatie).

5.0 Dagelijks gebruik

Geur bij eerste gebruik van de kachel!

Als de kachel voor de eerste keer wordt gebruikt, kan een irriterend gas vrijkomen dat onaangenaam kan ruiken. Dit gas is afkomstig van de verf aan de buitenkant die opdroogt. Het gas is niet giftig, maar u dient enkele ramen open te zetten om ervoor te zorgen dat de ruimte voldoende wordt geventileerd. Stook het vuur flink op totdat al het gas is verdwenen en er geen rookgeuren meer waarneembaar zijn!

5.1 Bediening

Stookadvies

NB: houtblokken die buitenshuis of in een koude ruimte worden bewaard, moeten 24 uur voor gebruik naar binnen worden gehaald om op kamertemperatuur te komen.

Er zijn verschillende manieren om de kachel te stoken, maar het is belangrijk dat u altijd voorzichtig bent met het materiaal dat u in de kachel stopt. Zie het hoofdstuk "Houtkwaliteit".

Houtkwaliteit

De blokken moeten goed worden gedroogd, zodat er niet meer dan 20% vocht in zit.

Hiervoor moeten de blokken uiterlijk aan het einde van de winter worden gehakt. De blokken moeten worden gekloofd en dusdanig worden gestapeld dat er voldoende ventilatie is. De houtstapels moeten worden afgedekt om de blokken tegen regen te beschermen. De blokken moeten begin herfst naar binnen worden gehaald en worden gestapeld/opgeslagen voor gebruik in de komende winter

Let er goed op dat u de volgende materialen nooit als brandstof voor uw kachel gebruikt:

- Huishoudelijk afval, plastic tassen, enz.
- Geverfd of geïmpregneerd hout (dat is uiterst giftig).
- Gelamineerde houten planken.
- Drijfhout

Deze kunnen schade toebrengen aan de kachel en zijn bovendien vervuילend

NB: gebruik nooit benzine, paraffine, methylalcohol of dergelijke vloeistoffen om het vuur aan te steken. Dit kan leiden tot ernstig persoonlijk letsel en schade aan het product.

Houtverbruik

Houtverbruik, bij nominale warmteafgifte: ca. 2,3 kg/u.
De blokken moeten het volgende formaat hebben:

Aanmaakhout (fijngehakt hout):

Lengte: 20 - 30 cm
Diameter: 2 - 5 cm
Hoeveelheid aanmaakhout: 6-8 blokken.

Hout (gekloofd hout):

Aanbevolen lengte: 30 - 50 cm
Diameter: ca. 8 cm
Stookfrequentie: ongeveer elke 45 minuten
Grootte vuur: 1,7 kg (nominale vermogen)
Benodigd aantal per keer: 2.

Het nominale vermogen wordt bereikt als de luchtopening ongeveer 50% geopend is.

5.2 As verwijderen

Verwijder de as niet voordat de haard koud is.

5.3 Stoken in het voorjaar en najaar

In de overgangperiode van het voorjaar/najaar waar men niet zo'n grote behoefte aan warmte heeft, is het aanbevolen om een enkele keer een „top down“ verbranding uit te voeren.

5.4 Werking tijdens verschillende Weeromstandigheden

De invloed van de wind op de schoorsteen kan een grote invloed hebben op hoe de kachel onder verschillende windinvloeden reageert en het kan daarom noodzakelijk zijn om de luchttoevoer in te stellen om een goede verbranding te krijgen. Het kan een goed idee zijn om een klep in het rookkanaal te monteren om op die manier de schoorsteentrek onder wisselende windinvloeden te kunnen regelen.

Mist en nevel kunnen ook een grote invloed op de schoorsteentrek hebben en het kan daarom noodzakelijk zijn andere instellingen van de verbrandingslucht te gebruiken om een goede verbranding te bereiken. te bereiken.

5.5 Schoorsteen

De schoorsteen is als het ware de aandrijving van de kachel en het is van cruciaal belang dat er een goede schoorsteen aanwezig is om de kachel goed te laten werken.

De trek in de schoorsteen creëert een vacuüm in de kachel. Dit vacuüm trekt de rook uit de kachel en zuigt lucht naar binnen via de keerplaat voor de verbrandingslucht om de verbranding te voeden.

De verbrandingslucht wordt ook gebruikt voor het airwash-systeem dat voorkomt dat zich roet hecht aan de ruit.

De trek in de schoorsteen wordt veroorzaakt door het temperatuurverschil in en buiten de schoorsteen. Hoe groter het temperatuurverschil, hoe beter de trek in de schoorsteen. Het is daarom van belang om de schoorsteen zijn bedrijfstemperatuur te laten bereiken, voordat u de luchtopeningen aanpast om de verbranding in te kachel te verminderen (*een stalen schoorsteen bereikt sneller de bedrijfstemperatuur dan een gemetselde schoorsteen*).

Met name wanneer de trek in de schoorsteen slecht is als gevolg van ongunstige wind- en weersomstandigheden is het van belang om de bedrijfstemperatuur zo snel mogelijk te bereiken. Zorg ervoor dat de brandstof zo snel mogelijk vlam vat. Praktische tip: Hak het hout in veel kleinere stukken en gebruik een extra aansteker.

NB: Als de kachel aanzienlijke tijd niet is gebruikt, dient u de schoorsteenpijp te controleren op verstoppingen

6.0 Groot onderhoud

Waarschuwing! Er mogen geen wijzigingen aan het product worden uitgevoerd, die niet door ons zijn goedgekeurd! Gebruik uitsluitend originele reserveonderdelen!

6.1 Branderplaten vervangen

Fig. 28

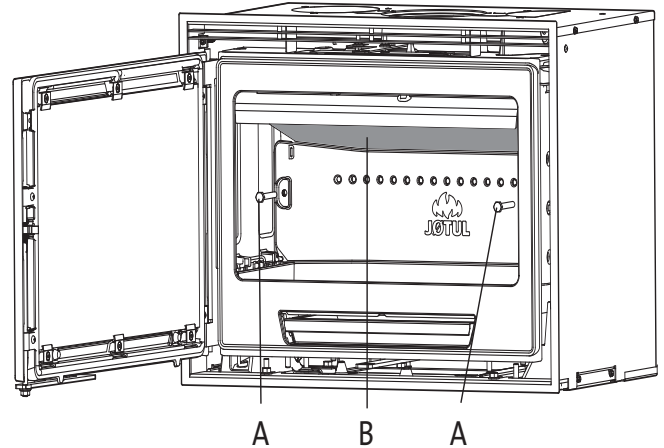
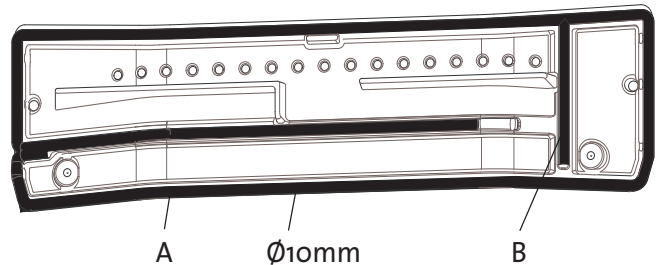


Fig. 29

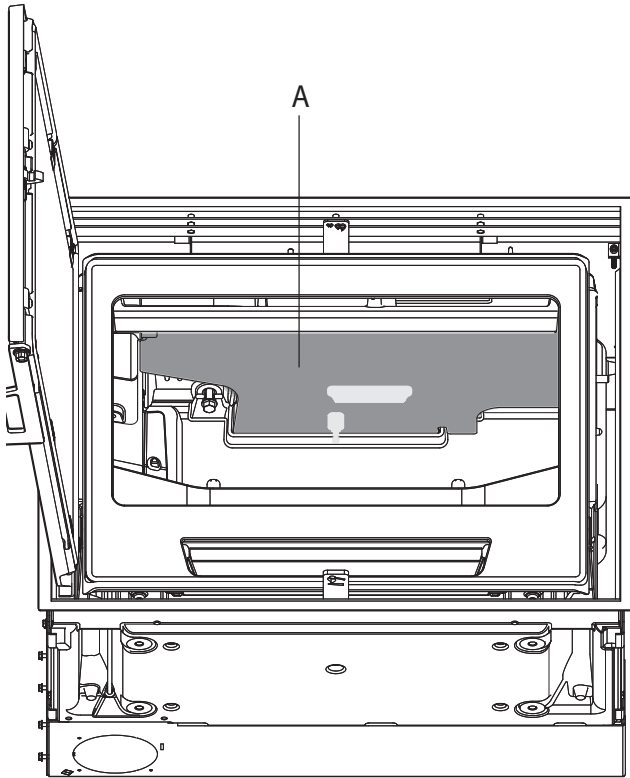


1. Verwijder de branderplaten aan de zijkanten door ze wat op te tillen en aan de onderkant naar buiten te trekken (fig. 3).
2. Haal de schroeven (fig. 28A) los en trek de achterste branderplaat eruit. Houd tegelijkertijd het schot (fig. 28B) omhoog, zodat deze niet valt. NB: de pakkingen (fig. 29 A/B) op de achterste branderplaat moeten worden vervangen als ze beschadigd zijn.
3. Voor het installeren volgt u dezelfde procedure in omgekeerde volgorde.

6.2 Schot/uitlaatplaat vervangen

1. Verwijder eerst de branderplaten aan de zijkant (fig. 3). Het is niet nodig de achterste branderplaat te verwijderen.
2. Trek het schot (fig. 28B) aan de voorkant naar voren en vervolgens omlaag. Draai het schot zodat het diagonaal achter de voorkant komt te staan en trek het eruit.
3. Til de achterkant van de uitlaatplaat omhoog (fig. 30A), duw deze naar achteren en vervolgens aan de voorkant omlaag.
4. Voor het installeren volgt u dezelfde procedure in omgekeerde volgorde.

Fig. 30



7.0 Onderhoud

7.1 Schoonmaken en verwijderen van roet

Tijdens gebruik kan zich roet afzetten op de binnenwanden van de kachel. Roet werkt isolerend en kan daardoor de warmteafgifte van de kachel verminderen. Als er zich te veel roet ophoopt, kunt u dit met een roetverwijderaar eenvoudig verwijderen.

Als u wilt voorkomen dat zich water of een teerlaag ophoopt in de kachel, moet u regelmatig flink stoken om de gevormde laag te verwijderen. Uw product moet voor een optimale warmteafgifte een keer per jaar van binnen worden schoongemaakt. Het is verstandig dit tegelijk te doen met het vegen van de schoorsteen en de kachelpijpen.

7.2 Kachelpijp vegen tot aan de schoorsteen

Kachelpijpen moeten worden geveegd via een veegluik voor de kachelpijp of via de deuropening. De branderplaten aan de zijkant, het schot en de uitlaatplaat moeten eerst worden verwijderd (zie hoofdstuk 6.2).

7.3 Kachel inspecteren

Jøtul raadt aan na het schoonmaken/vegen zelf de kachel grondig te inspecteren. Controleer alle zichtbare oppervlakken op scheuren. Controleer ook of alle verbindingen goed dicht zijn en of de pakkingen correct geplaatst zijn. Een versleten of vervormde pakking moet worden vervangen.

Maak de groeven van de pakking grondig schoon, breng keramische lijm aan (verkrijgbaar bij uw lokale Jøtul-dealer) en druk de pakking stevig aan. De lijm heeft een korte droogtijd.

7.4 De buitenkant onderhouden

Gelakte producten kunnen na enkele jaren gebruik verkleuren. Voordat u een nieuwe laag verf aanbrengt, moet u het oppervlak reinigen en alle losse deeltjes wegvegen.

8.0 Opties

Frame breed
(cat. nr. 50044778)

Ventilator
(cat. nr. 50044779)

Set voor externe luchtaansluiting Ø 100 mm,
(cat. nr. 51012164)

Adapter kachelpijp
(cat. nr. 51044856)

9.0 Recycling

9.1 Recyclen van de verpakking

Uw kachel wordt in de volgende verpakking geleverd:

- Een houten pallet dat in stukken gesneden en in de kachel verbrand kan worden.
- Een kartonnen verpakking die naar een plaatselijke faciliteit voor recyclen van materialen gebracht moet worden.
- Plastic zakken die naar een plaatselijke faciliteit voor recyclen van materialen gebracht moet worden.

9.2 Recyclen van de kachel

De kachel is gemaakt van:

- Metaal dat naar een plaatselijke faciliteit voor recyclen van materialen gebracht moet worden.
- Glas dat afgedankt moet worden als gevaarlijk afval. Het glas van de kachel mag niet via het normale gescheiden afval worden afgedankt.
- Platen in de verbrandingskamer van vermiculiet die via het normale afval mogen worden afgedankt.

10.0 Garantievoorwaarden

1. Onze garantie dekt:

Jøtul AS garandeert dat de externe gietijzeren onderdelen vrij zijn van materiaal- en fabricagefouten op het moment van aankoop. U kunt de garantie op de externe gietijzeren onderdelen verlengen tot 25 jaar na de leverdatum door het product te registreren op jotul.com en het bewijs van deze verlengde garantie binnen drie maanden na aankoop uit te printen. We adviseren u het garantiebewijs samen met de aankoopbon te bewaren. Jøtul AS garandeert tevens dat de staalplaten onderdelen vrij zijn van materiaal- en fabricagefouten op het moment van aankoop en tot 5 jaar na de leverdatum.

Deze garantie geldt op voorwaarde dat de kachel is geïnstalleerd door een erkende installateur, overeenkomstig de geldende wet- en regelgeving en Jøtul's installatie- en gebruiksinstructies. Gerepareerde producten en vervangende onderdelen vallen onder de garantie gedurende het resterende deel van de oorspronkelijke garantieperiode.

2. De garantie dekt niet:

- 2.1. Schade aan verbruiksonderdelen zoals brandplaten, vuurroosters, keerschotten, ringen en vergelijkbare onderdelen, aangezien deze onderhevig zijn aan normale slijtage.
- 2.2. Schade veroorzaakt door onjuist onderhoud, oververhitting, gebruik van ongeschikte brandstof (waaronder begrepen maar niet beperkt tot drijfhout, geïmpregneerd hout, houtafval, spaanplaat) of te vochtig hout.
- 2.3. Installatie van optionele extra's teneinde de trek, luchttoevoer en andere externe factoren buiten de invloedssfeer van Jøtul te verbeteren.
- 2.4. Aanpassingen of wijzigingen aan de haard zonder toestemming van Jøtul of het gebruik van niet-originele onderdelen.
- 2.5. Schade veroorzaakt tijdens opslag bij een distributeur, transport vanaf een distributeur of tijdens de installatie
- 2.6. Producten verkocht door niet-erkende verkopers in regio's waar Jøtul met een selectief distributiesysteem werkt.
- 2.7. Bijbehorende kosten (waaronder begrepen maar niet beperkt tot transport-, arbeids- en reiskosten) of indirecte schade.

Voor pelletkachels, glas, steen, beton, email en lak (waaronder begrepen maar niet beperkt tot breuken, scheuren, barsten, blaasjes, verkleuring of craquelé) geldt de nationale wetgeving die van toepassing is op de verkoop van consumentengoederen. Deze garantie is geldig voor aankopen gedaan binnen de Europese Economische Ruimte. Alle garantieaanspraken dienen binnen een redelijke termijn te worden gericht aan uw lokale erkende Jøtul-dealer, uiterlijk 14 dagen nadat de fout of het gebrek is geconstateerd. Zie onze website www.jotul.com voor een overzicht van importeurs en dealers.

Wanneer Jotul niet is staat is om zijn verplichtingen na te komen zoals vermeldt in bovenstaande garantie voorwaarden, Jotul zal dan een alternatief product kosteloos aanbieden met gelijke verwarmingscapaciteit.

Jøtul behoudt zich het recht voor af te zien van reparatie of vervanging van onderdelen in het geval dat de garantie niet online is geregistreerd. Deze garantie doet geen afbreuk aan enig recht krachtens de geldende nationale wetgeving van toepassing op de verkoop van consumentengoederen. Het nationale reclamerecht geldt vanaf de aankoopdatum en uitsluitend onder overlegging van een aankoopbon/serienummer.



Déclaration de conformité – la Belgique

Fabricant: Jøtul AS, P.O. Box. 1411, 1602 Fredrikstad, Norvège

Produit: Jøtul C 24

Nous certifions par la présente que la série des appareils spécifiée ci-après est conforme au modèle type décrit dans la déclaration de conformité CE, qu'elle est fabriquée et mise sur le marché conformément aux exigences définies dans l'arrêté royal du 12 octobre 2010 réglementant les exigences minimales de rendement et les niveaux des émissions de polluants des appareils de chauffage alimentés en combustible solide.

Modèle:	Jøtul C 24
Numéro du rapport de test :	300-ELAB-1881-EN
Testé suivant la norme :	DS/EN 13229:2001 und DS 13229:2001/A2:2004
Laboratoire notifié :	Danish Technological Institute, Teknologiparken, Kongsvang Alle 29, DK-8000 Århus C
Puissance nominale :	7 kW
Rendement :	78 %
Niveau du CO @ 13% O₂ :	0,06 %
Niveau des particules @ 13% O₂ :	5 mg/Nm ³


Informations environnementales concernant les combustibles solides recommandés :

Jøtul AS vous recommande de n'utiliser que du bois tel que décrit dans le manuel. Seul l'usage du bois approprié vous permettra de garantir une combustion écologique.

Informations environnementales concernant les combustibles solides non recommandés :

Jøtul AS vous conseille de ne pas utiliser d'autres matériaux combustibles que ceux décrits dans notre manuel. La seule façon d'obtenir une combustion respectueuse de l'environnement est d'observer scrupuleusement nos recommandations.

Fredrikstad, Norvège, le 11/06-2013


Tom Berglind
Directeur R&D

Manuel d'installation et données techniques

1.0	Informations réglementaires	43
2.0	Données techniques	43
3.0	Sécurité	47
4.0	Installation	47
5.0	Utilisation quotidienne	58
6.0	Entretien	59
7.0	Maintenance	60
8.0	Équipements disponibles en option	61
9.0	Recyclage	61
10.0	Conditions de garantie	61

Enregistrez votre insert sur jotul.com
pour la garantie de 25 ans.

Product: Jotul Room heater fired by solid fuel				CE
Standard Minimum distance to adjacent combustible materials:				
Emission of CO in combustion products:				
Flue gas temperature:				
Nominal heat output:				
Efficiency:				
Operational range:				
Fuel type:				
Operational type:				
The appliance can be used in a shared flue.				
Country	Classification	Certificate/standard	Approved by	
Norway	Klasse II			
Sweden	etc.	SP	SP-Sveriges Provnings- och Forskningsinstitut AB	
EUR	Intermittent	EN	SP-Sveinoh National Testing and Research Institute	
Follow user's instructions. Use only recommended fuels. Montage- und Bedienungsanleitung beachten. Verwenden Sie nur empfohlenen Brennstoffen. Respectez les consignes d'utilisation. Utilisez uniquement les combustibles recommandés.				
Serial no. Y-xxxx. Year: 200x				
Manufacturer: Jotul AS POB 1 441 N-1602 Fredrikstad Norway				221546

Tous nos produits sont livrés avec une étiquette reprenant le numéro de série et l'année. Reportez ce numéro à l'endroit indiqué dans les instructions d'installation.

N'oubliez pas de le mentionner à chaque fois que vous contactez votre revendeur ou Jøtul.

Serial no.

1.0 Informations réglementaires

L'installation d'un foyer est soumise aux législations et réglementations nationales en vigueur.

Les réglementations locales, y compris celles se rapportant aux normes nationales et européennes, devront être respectées au moment d'installer l'appareil.

Les instructions de montage, d'installation et d'utilisation sont fournies avec l'appareil. L'installation ne doit pas être utilisée avant d'avoir été inspectée et approuvée.

Une plaque signalétique thermorésistante se trouve sur le bouclier thermique, derrière l'appareil. Elle comporte les informations suivantes : fabricant, adresse, nom du produit, référence catalogue, norme de fabrication, référence de production et puissance. Nous vous recommandons de relever le numéro de série sur la première page du manuel avant de procéder à l'installation.

2.0 Données techniques

Matériau :	Fonte
Finition :	Peinture noire
Combustible :	Bois
Longueur max. des bûches :	50 cm
Sortie de fumée :	Haut
Dimensions du conduit de fumée :	Ø 150 mm / section transversale 177 cm ²
Raccord d'air frais :	Tuyau en aluminium flexible Ø 80 mm / Ø 100 mm
2 raccords pour la sortie d'air chaud :	Tuyau en aluminium flexible Ø 150 mm
Poids :	Environ 136 kg
Équipements en option :	Cadre large, ventilateur, kit d'amenée d'air frais Ø 100 mm, adaptateur pour conduit de fumée.

Dimensions du produit, distances : Voir la Fig. 1

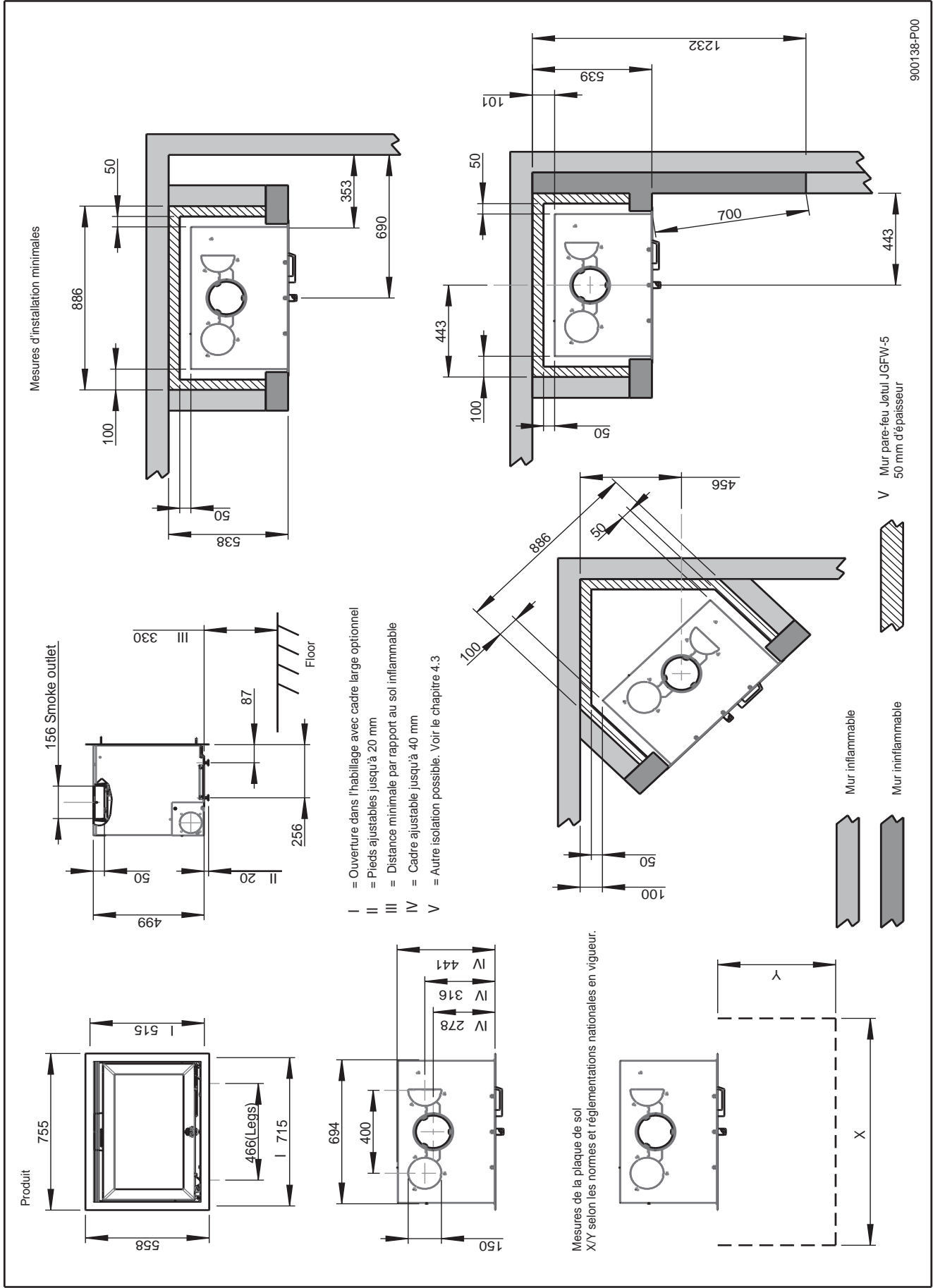
Données techniques conformément à 13229

Puissance nominale :	7,0 kW
Débit des fumées :	5,9 g/s
Tirage de cheminée recommandé :	12 Pa
Rendement :	78 % à 7,0 kW
Émissions de CO (13 % O ₂) :	0,06 %
Émissions de COV (13 % O ₂) :	32 mg/Nm ³
Émissions de poussières :	5 mg/Nm ³
Température des fumées :	295 °C
Fonctionnement :	Intermittent

La combustion intermittente correspond à l'utilisation normale du poêle, réalimenté dès que le combustible a brûlé et formé suffisamment de braises.

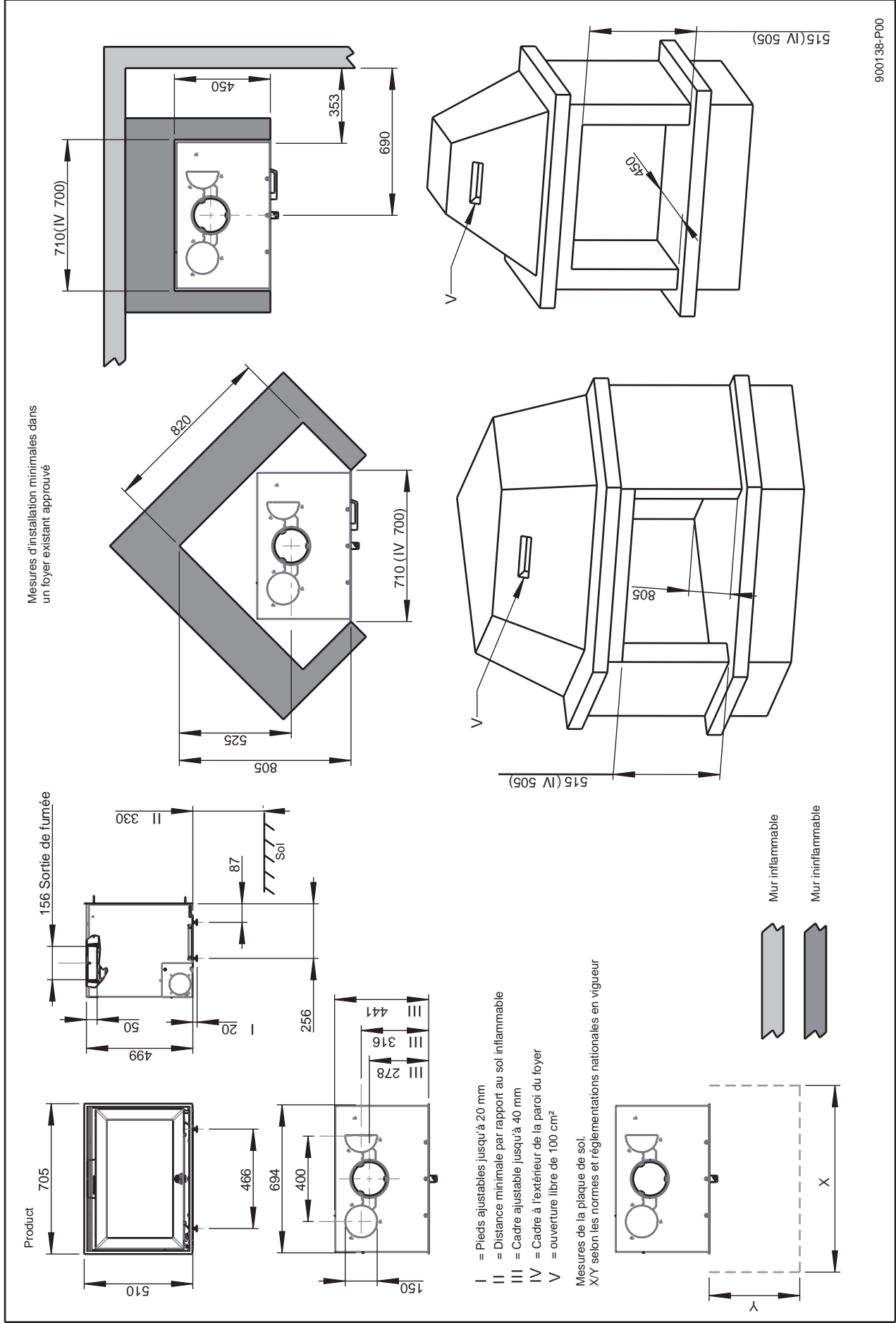
Cadre large Jøtul C 24 optionnel

Fig. 1A



Cadre étroit optionnel Jøtul C 24

Fig. 1B



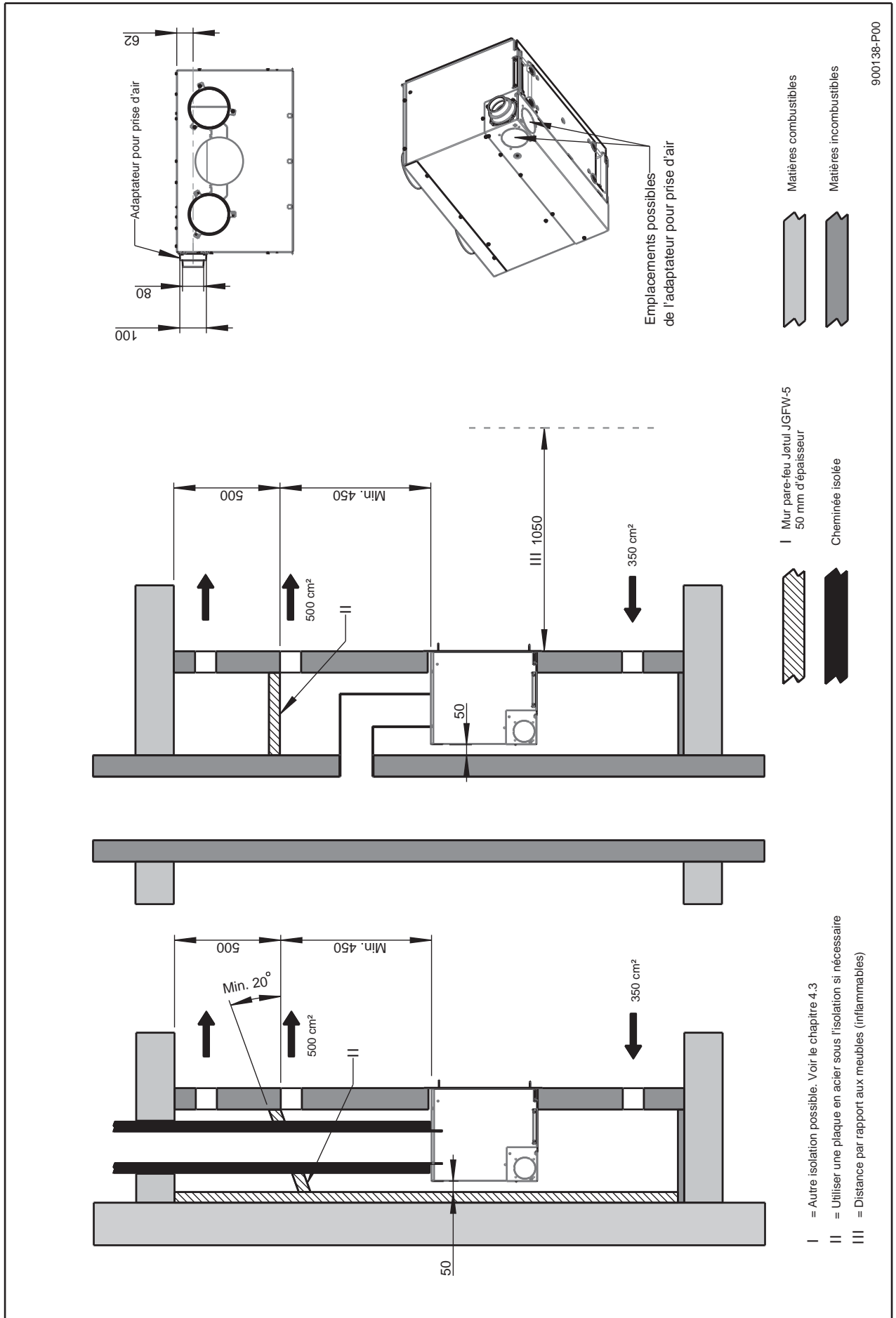


Fig. 2

3.0 Sécurité

Remarque : Afin d'assurer un niveau de rendement et de sécurité optimal, l'installation d'un poêle Jøtul doit être confiée à un installateur qualifié.

Toute modification de l'appareil par le distributeur, l'installateur ou l'utilisateur final, risque de compromettre le bon fonctionnement de l'appareil et de ses éléments de sécurité. Ceci s'applique également à l'installation d'accessoires ou d'équipements en option qui ne sont pas fournis par Jøtul. Ce risque peut par ailleurs survenir dans le cas où des pièces ou éléments essentiels pour le bon fonctionnement et la sécurité du poêle, ont été désassemblés ou retirés.

Dans tous ces cas, le fabricant ne pourra être tenu responsable pour le produit et le droit de recours à la garantie sera rendu nul et sans effet.

3.1 Mesures de prévention anti-incendie

Toute utilisation de l'insert comporte un certain degré de risque. C'est pourquoi, il est indispensable de toujours respecter les consignes de sécurité suivantes :

- Les distances minimales à respecter en utilisant l'insert ressortent de la figure 1C, 1D, 1e et figure 1F.
- Assurez-vous que les meubles et autres matériaux inflammables sont éloignés 1,05 mètre de l'installation.
- Laissez le feu s'éteindre de lui-même. Ne tentez jamais d'éteindre le feu avec de l'eau.
- L'appareil devient chaud lorsqu'il est allumé et peut provoquer des brûlures à la personne qui le touche.
- Attendez qu'il soit froid pour retirer les cendres. Les cendres pouvant encore contenir des braises pendant une semaine, il faut les recueillir dans un réceptacle ininflammable.
- Puis de les répandre à l'extérieur ou de les vider dans un endroit ne présentant aucun risque d'incendie.

En cas de feu de cheminée:

- Fermer l'ensemble des trappes et des entrées d'air.
- Maintenir la porte de la chambre de combustion fermée.
- Vérifier toute présence de fumée dans le grenier et dans la cave.
- Contacter le service de sécurité incendie.

Suite à un feu de cheminée, l'insert et le conduit doivent être contrôlés par un spécialiste avant toute nouvelle utilisation afin de s'assurer que l'installation est opérationnelle.

4.0 Installation

Le Jøtul C 24 est un poêle à cassette conçu pour être installé à l'intérieur du foyer d'une cheminée (Fig. 1B). L'ouverture minimale du foyer doit être de 515 x 710 x 450 mm (H x L x P). Si le cadre est placé à l'extérieur des parois du foyer, l'ouverture peut être réduite à 505 x 700 x 450 mm (H x L x P). Remarque : un espace doit être conservé entre la cassette et le foyer ouvert de la cheminée pour la dilatation thermique du poêle à cassette.

Le produit peut également être placé dans le nouvel habillage d'un foyer (Fig. 1A). L'habillage du foyer doit avoir une ouverture minimale de 515 x 715 x 490 mm (H x L x P). Il est également important de maintenir un espace pour l'isolation autour de l'habillage. Si vous utilisez un cadre large (option), il chevauchera

les ouvertures de 558 x 755 mm (H x L).

Un cadre étroit est inclus avec le produit. Il est possible d'ajuster ce cadre ainsi qu'un cadre large (option) jusqu'à 40 mm afin de faciliter l'adaptation du produit en fonction de différentes positions de conduit de fumée.

4.1 Le sol

Assurez-vous que le sol puisse supporter la l'appareil. Voir la section « 2.0 Données techniques » consacrée aux poids spécifiques.

Exigences relatives à la protection des sols en bois

L'insert peut donc être placé directement sur un sol en bois recouvert d'une plaque de métal ou de tout autre matériau ininflammable adapté. Pour cette plaque en acier, l'épaisseur minimale recommandée est de 0,9 mm.

Il est recommandé d'enlever les revêtements situés sous l'insert, si ceux-ci ne sont pas solidaires du sol (parquets flottants).

Les éventuels revêtements de sol combustibles, tels que le linoléum, la moquette, etc., doivent être retirés de la surface couverte par la plaque de sol. Tous matériaux combustibles doivent être retirés de l'intérieur de l'habillage.

Exigences relatives à la protection d'un revêtement de sol combustible devant le foyer

Le sol devant l'insert doit être protégé par une plaque de métal ou de tout autre matériau ininflammable. L'épaisseur minimale recommandée pour l'acier est de 0,9 mm.

La plaque de sol doit être conforme aux législations et aux réglementations nationales en vigueur.

Veillez contacter les autorités locales compétentes pour connaître les restrictions d'usage et les exigences liées à l'installation.

4.2 Le plafond

Distance entre les bouches d'air chaud au sommet (Fig. 1B-V ou Fig. 2) et un plafond en matériau inflammable : 500 mm au moins.

4.3 Exigences d'isolation

Lors de l'installation de la cassette à l'intérieur d'un habillage comportant des murs inflammables protégés par un matériau isolant, les types et épaisseurs suivants peuvent être utilisés:

Panneau ignifuge 50 mm Jøtul JGFW-5 (conductivité thermique spécifique = $\lambda = 0,06$ W/mK)

Rockwool 50 mm (min. 38 mm) ($\lambda = 0,046$ W/mK)

Rockwool 50 mm (min. 31 mm) ($\lambda = 0,037$ W/mK)

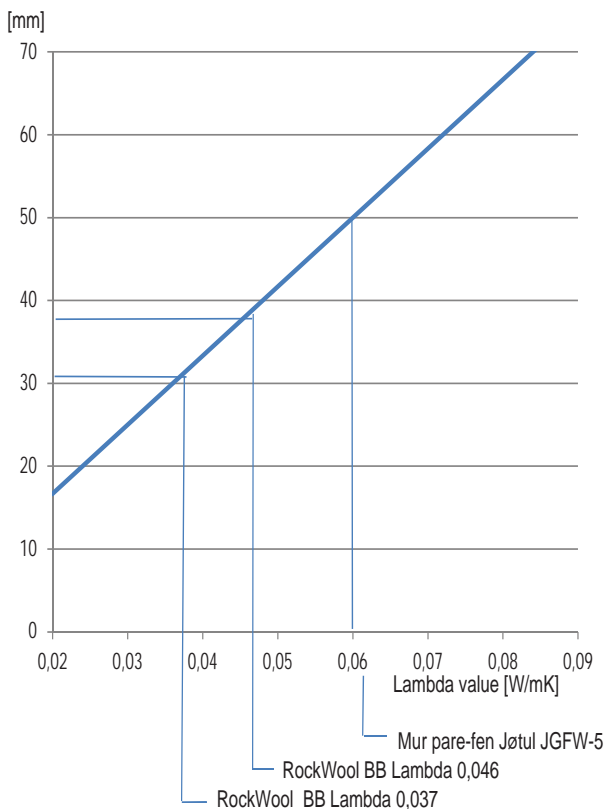
FRANCAIS

Il est possible d'utiliser d'autres matériaux. Voir la Fig. 33 pour les épaisseurs d'isolation minimales pour des valeurs lambda (λ) connues.

Remarque : l'isolation doit être correctement maintenue en place pour empêcher la transmission de chaleur via le matériau aux murs inflammables.

Fig 33

Épaisseur d'isolation minimale



4.4 Raccordement d'air frais

Avertissement : vous devez veiller à fournir suffisamment d'air frais à la pièce dans laquelle le produit est installé. Une mauvaise aération peut entraîner l'émission de fumée dans la pièce, ce qui est très dangereux ! Les signes peuvent être une odeur de fumée, un sentiment de fatigue, des nausées et des malaises.

Si la maison est hermétiquement fermée et isolée et/ou possède un système d'extraction d'air, la pièce dans laquelle le poêle est installé doit comporter des ouvertures d'aération ou une conduite indépendante afin de fournir un apport d'air frais supplémentaire. La conduite d'air frais doit être aussi droite que possible. Les conduites dans la pièce où le poêle est installé doivent être en matériau ininflammable, comme par exemple un tuyau en aluminium flexible avec un diamètre interne de 80 ou 100 mm. Un raccord pour conduite d'air frais est inclus avec le produit. Le raccord peut être fixé à trois endroits différents (Fig. 2) ou une fois que la conduite d'air frais a été insérée dans le produit. Un kit d'amenée d'air frais comprenant une conduite d'air, une grille murale et une isolation est proposé en option. Si l'air frais ne passe pas dans une conduite indépendante, le clapet (Fig. 27 A) doit être en position ouverte. Si l'air frais passe dans une conduite indépendante, le clapet doit être en position fermée. Voir la section 4.11 pour l'installation d'un raccordement d'air frais.

4.5 Circulation de l'air

Si l'installation se fait dans le nouvel habillage d'un foyer (Fig. 2), l'air doit pouvoir circuler entre la cassette et le foyer ouvert de la cheminée.

Circulation d'air min.:

Base : ouverture libre de 350 cm².

Sommet : ouverture libre de 500 cm².

Ces mesures permettent de prévenir la surchauffe du poêle, tout en assurant une capacité de chauffage suffisante dans la pièce. Si le produit est installé dans un foyer homologué, les ouvertures dans la base peuvent être omises et l'ouverture au sommet peut être de 100 cm². Voir la section 4.6

4.6 Ventilateur/distribution de l'air chaud

Un ou deux conduits ayant un diamètre interne de 150 mm peuvent être raccordés pour distribuer l'air chaud depuis la cassette. Les conduits d'air chaud doivent être en matériau ininflammable résistant à la chaleur, comme par exemple des tuyaux flexibles en aluminium. Ces derniers peuvent devenir brûlants ; il est important qu'ils n'entrent pas en contact avec un matériau inflammable. Deux raccords pour les conduits sont fournis avec le produit (les conduits ne sont pas inclus).

L'altération de la couleur de la peinture située au-dessus de la cassette est réduite grâce à l'utilisation de conduites d'air chaud. Un ventilateur (en option) peut être installé à l'intérieur du produit pour augmenter la distribution d'air chaud. Il peut être installé qu'il y ait ou non des conduites pour une distribution d'air chaud. Le ventilateur doit être placé avant l'installation du produit. Voir le mode d'emploi pour l'installation du ventilateur (inclus avec le ventilateur)

4.7 Cheminée et conduit de fumée

- Le poêle peut être raccordé à une cheminée et à un conduit de fumée approuvés pour les foyers à combustible solide, avec les températures de fumées spécifiées dans la section « 2.0 Données techniques ».
- La section transversale minimale de la cheminée doit correspondre à celle du conduit. Pour calculer la section transversale adéquate de la cheminée, voir « 2.0 Données techniques ». Remarque : la longueur de cheminée minimale recommandée est de 3,5 m.
- Pour le tirage de cheminée recommandé, voir « 2.0 Données techniques ». En cas de tirage trop important, installez et utilisez un clapet ou un modérateur de tirage.
- L'étanchéité de la cheminée et de la trappe de ramonage doit être contrôlée pour éviter les fuites. S'il y a une fuite, moins d'air passera par le poêle. Votre agent local chargé de la sécurité et des incendies peut effectuer une inspection de la cheminée.
- Le raccordement à la cheminée doit être effectué conformément aux instructions d'installation du fournisseur de la cheminée.
- Procédez à un montage d'essai du foyer avant de percer un trou dans la cheminée, afin d'effectuer des repères et d'assurer un montage correct. Voir la Fig. 1 pour les dimensions minimales.
- Veillez à ce que les raccordements soient souples, afin de prévenir toute formation de fissures lors de l'installation.

- Il est important que les joints/conduits de fumée soient parfaitement étanches. Des fuites d'air peuvent provoquer des dysfonctionnements.
- Un adaptateur facilitant l'installation du conduit de fumée est disponible en option. Voir la section 4.11.
- Utilisez un coude de conduit de fumée doté d'une trappe afin de permettre les opérations de ramonage. Un coude de conduit qui modifie la direction des fumées de plus de 45° doit être installé avec une trappe de ramonage. Notez qu'il est possible de ramoner depuis l'intérieur du foyer. Voir la section 7.2.
- Remarque : un raccordement correct et étanche est essentiel pour assurer le bon fonctionnement de l'appareil.
- Le poids de la sole foyère ne doit pas être transmis à la cheminée. La sole foyère ne doit pas altérer la mobilité de la cheminée et ne doit pas y être fixée.

4.8 Avant l'installation

Assurez-vous que le Jøtul C 24 s'adapte à l'intérieur du foyer ou de l'habillage ; la Fig. 1 indique les dimensions minimales. Un espace doit être conservé entre la cassette et le foyer ouvert de la cheminée pour la dilatation thermique du poêle à cassette. Le foyer doit être complètement nettoyé avant l'installation. Il est important de retirer toute trace de suie et de goudron dans le foyer pour éviter d'avoir une odeur désagréable dans la pièce. Utilisez un détergent adapté.

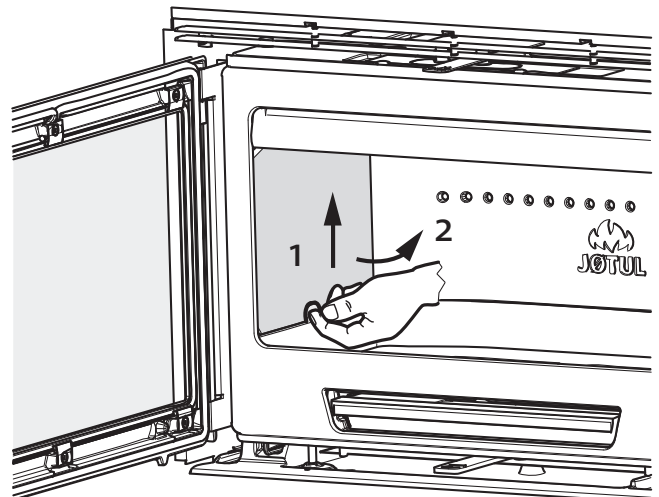
Le produit standard est livré en deux colis.

- Lors du déballage, sortez du foyer le sachet de vis et la boîte contenant le raccord d'air frais, 2 raccords de sortie d'air chaud et le gant de protection.
- Retirez également le cendrier, la grille de foyer et le bloc de bois (utilisé pour le transport) qui se trouvent juste en dessous de la sortie de fumée du produit.
- Vérifiez que le produit n'a pas été endommagé et que les poignées de commande fonctionnent.

4.9 Inversion des charnières de porte

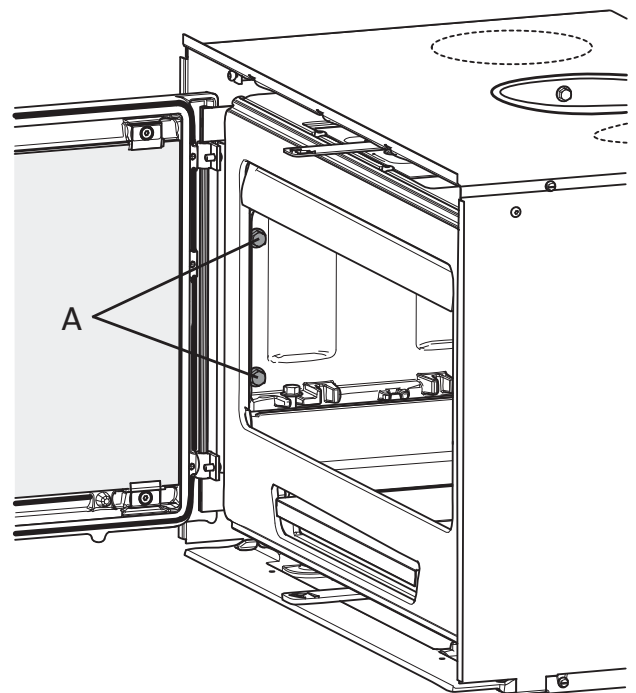
Il est possible de modifier le sens d'ouverture de la porte du Jøtul C 24 en plaçant les charnières situées à gauche sur la droite. Si vous souhaitez modifier l'emplacement des charnières, vous devez le faire avant l'installation. Si vous ne voulez pas apporter de modification, passez à la section 4.10.

Fig. 3



1. Retirez les plaques de doublage latérales en les soulevant légèrement et en les tirant par le bas.

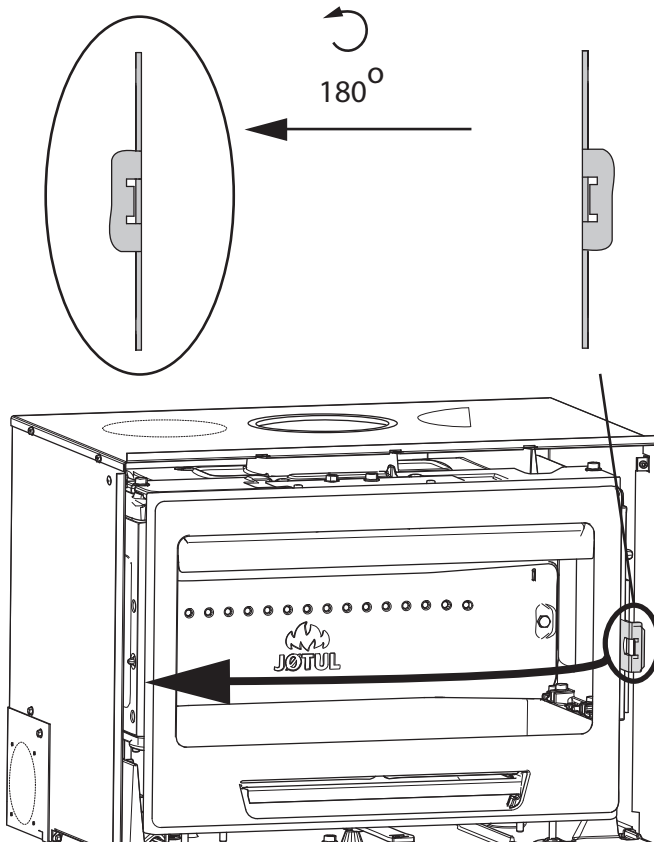
Fig. 4



2. Desserrez les deux vis (Fig. 4 A) maintenant les charnières en place. Tenez la porte pour qu'elle ne tombe pas lorsque la dernière vis est retirée.
3. Posez la porte face vers le bas sur une surface plane.

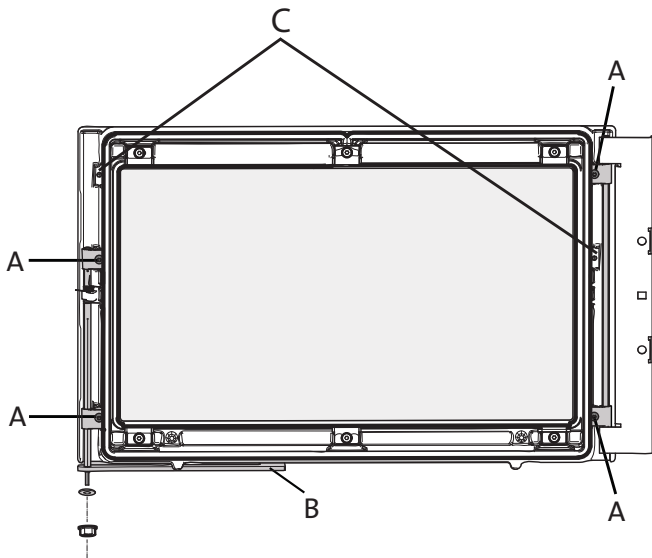
FRANCAIS

Fig. 5



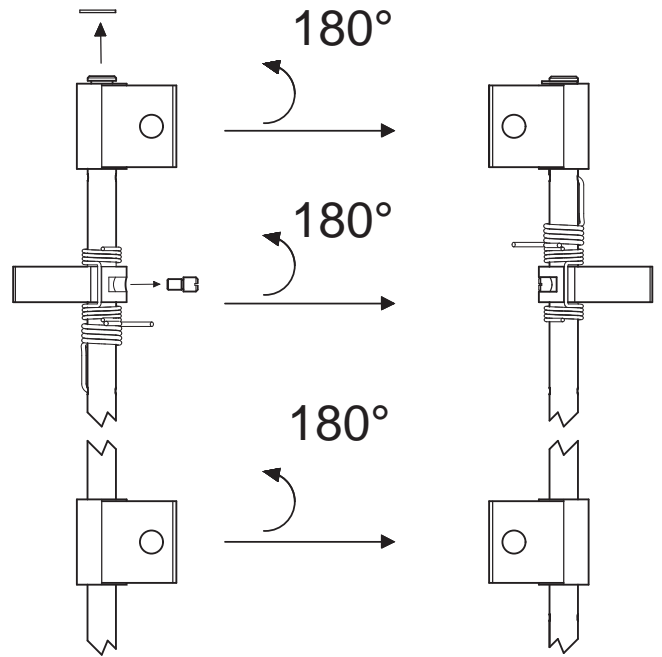
4. Retirez le système de verrouillage situé sur la droite du produit et fixez-le à gauche, là où se trouvaient les charnières.

Fig. 6



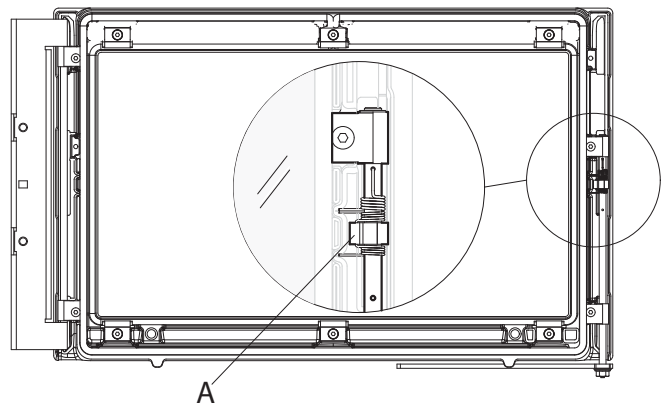
5. Retirez la poignée (Fig. 6 B) du verrou de porte. Desserrez les quatre vis (Fig. 6 A) qui maintiennent le verrou de porte et les charnières en place. Enlevez toute trace de colle sur les surfaces (Fig. 6 C).

Fig. 7



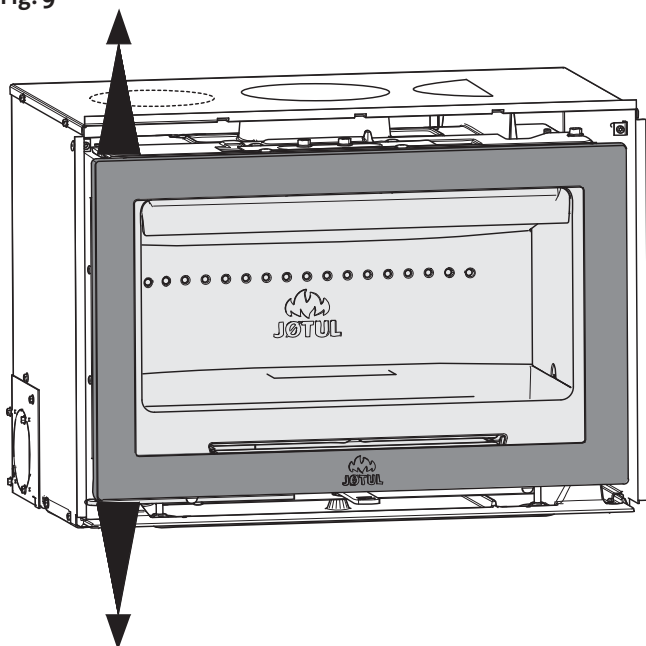
6. Faites pivoter les parties de l'axe du verrou de porte de 180°.

Fig. 8



7. Installez le verrou de porte et les charnières sur le côté opposé (Fig. 8).
 8. Placez la porte sur le produit. Remarque : la position de la porte peut être légèrement ajustée en desserrant un peu les vis (Fig. 4 A). Serrez les vis.
 9. Remontez la poignée.

Fig. 9



10. La porte peut également être légèrement ajustée vers le haut ou vers le bas du côté verrou de porte.
Remarque : la porte ne peut pas être complètement fermée au moment de l'ajustement!

4.10 Montage/installation avec accès facile à l'arrière du produit.

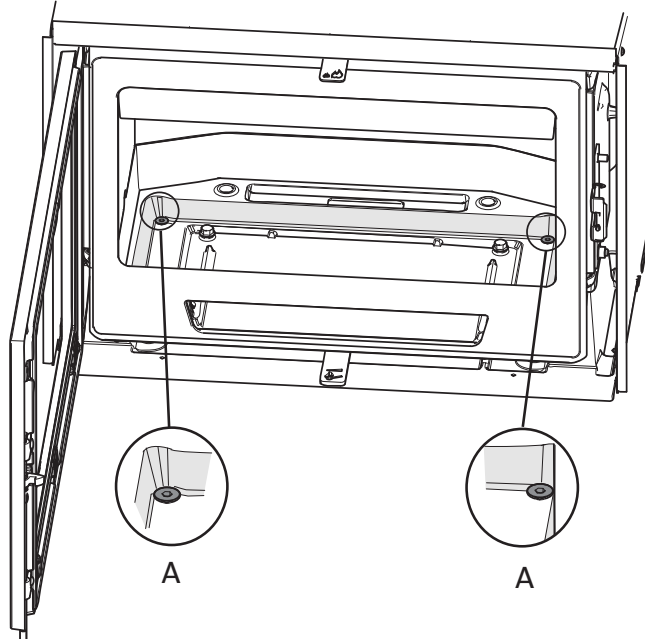
Installation

Le produit est lourd ! Prévoyez de l'aide pour son positionnement et son installation.

S'il est possible d'accéder facilement à l'arrière du produit, ce dernier peut être placé directement à l'intérieur de l'habillage. Le produit est en position correcte et peut être raccordée au conduit de fumée et à n'importe quel conduit d'air frais, ventilateur ou conduit d'air chaud. Si l'accès est impossible ou limité à l'arrière du produit une fois en position, nous vous recommandons de lire la section 4.11 qui donne des exemples sur la marche à suivre.

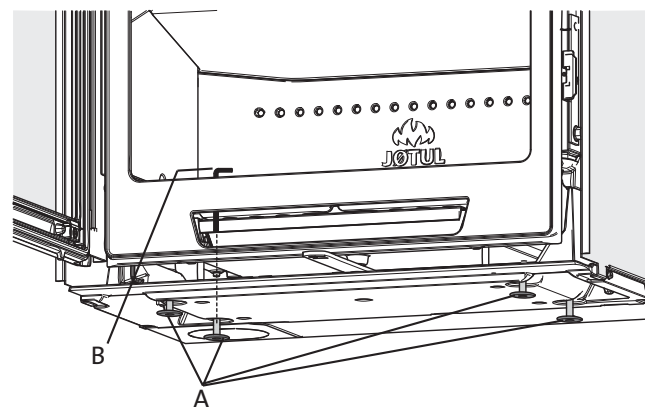
1. Placez le produit à l'intérieur de l'habillage de façon à ce que la partie avant du produit et la partie avant de l'habillage soient alignées.

Fig. 10



2. Desserrez les quatre vis (Fig. 10 A) sous la grille de foyer à l'aide de la clé six pans de 5 mm qui se trouve dans le sachet de vis.

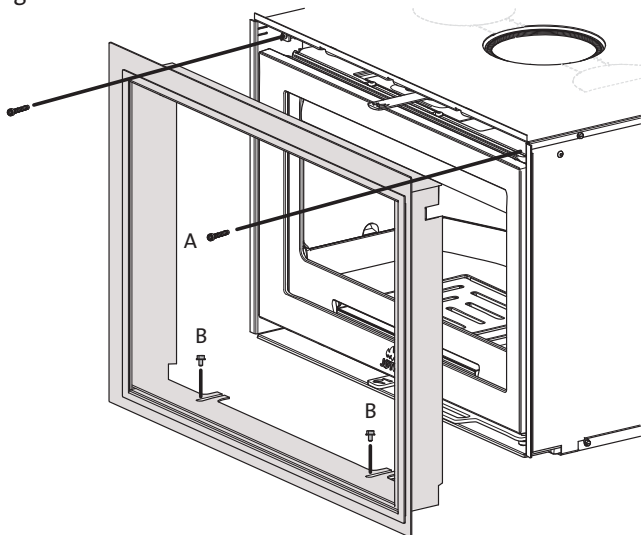
Fig. 11



3. Réglez les quatre vis des pieds (Fig. 11 A) sous les vis que vous venez de retirer jusqu'à ce que le produit soit à niveau. Utilisez la clé six pans de 4 mm (Fig. 11 B) qui se trouve dans le sachet de vis

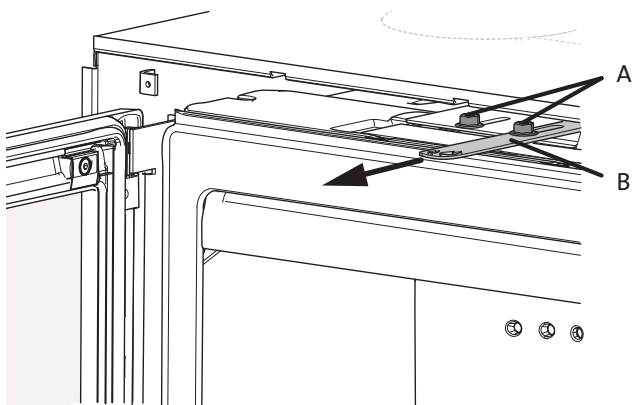
FRANCAIS

Fig. 12



4. Retirez le cadre de son emballage en carton et fixez-le en place sans serrer. Un cadre large est disponible en option.

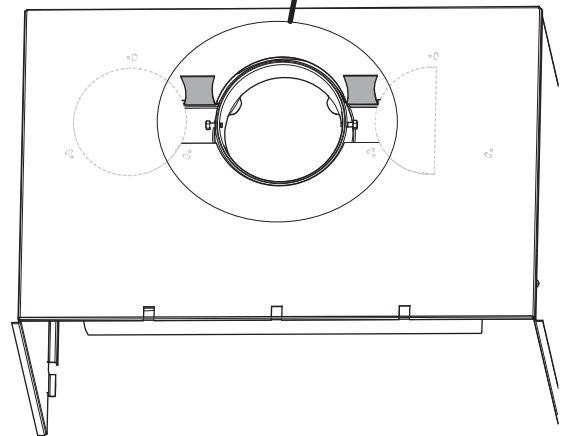
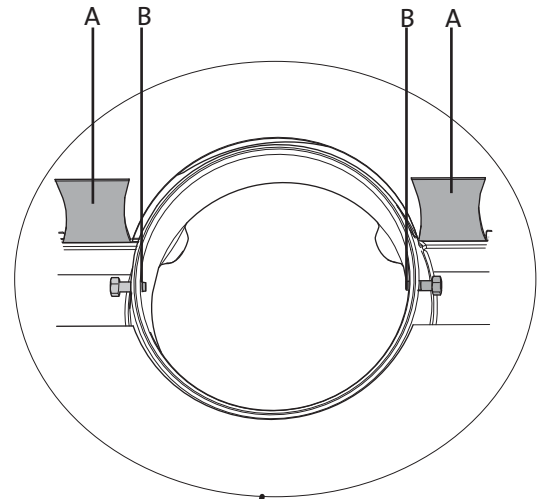
Fig. 13



5. Si nécessaire, les deux écrous (Fig. 13 A) peuvent être légèrement desserrés et le registre d'air primaire (Fig. 13 B) peut être tiré vers l'avant, permettant de l'atteindre plus facilement. Serrez ensuite les écrous.
6. Si tout vous semble correct, remplacez les quatre vis (Fig. 10 A) qui ont été retirées.
7. Fixez le cadre en place en utilisant les vis (Fig. 12 A et B) du sachet se trouvant dans l'emballage du cadre.

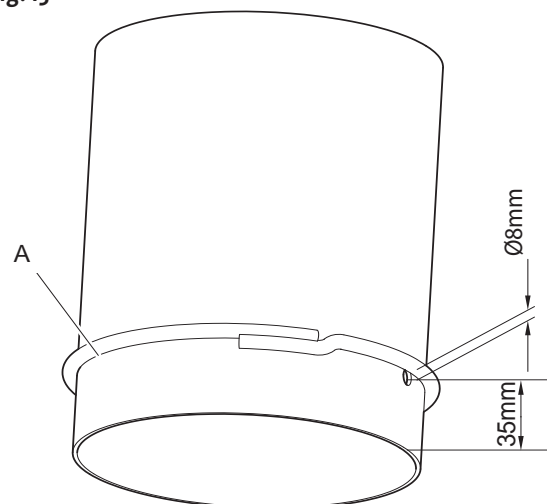
Montage du conduit de fumée

Fig. 14



1. Ouvrez les deux tenons (Fig. 14 A) à côté de la sortie de fumée et retirez les deux vis (Fig. 14 B).

Fig. 15

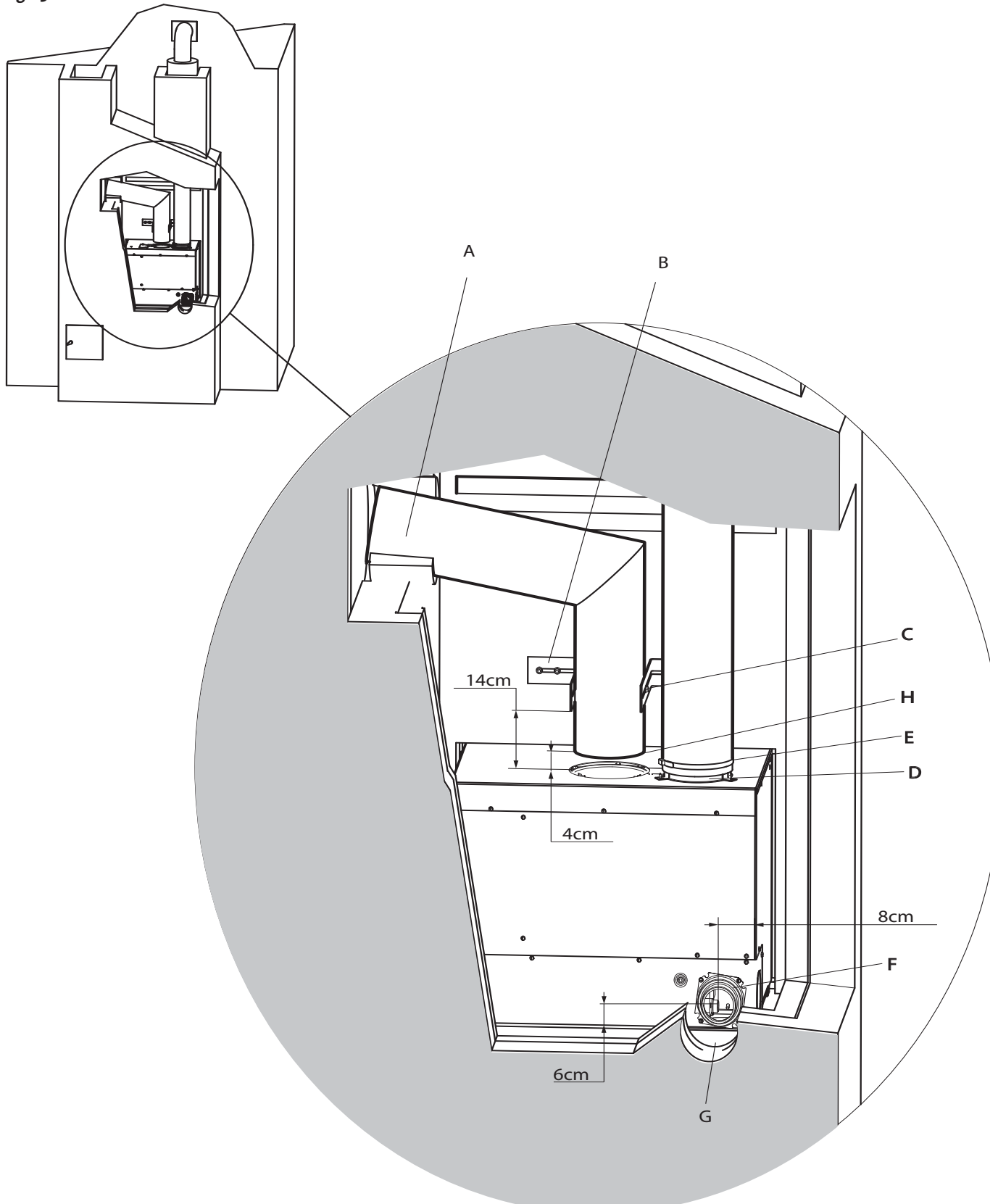


2. Faites deux trous de 8 mm de diamètre pour les vis de fixation dans le conduit de fumée. Placez le joint (A) sur le conduit de fumée.
3. Placez le conduit de fumée sur le raccord et fixez-le à l'aide de vis (Fig. 14). Puis, fermez les tenons (Fig. 14 A).
4. Remettez toutes les pièces qui ont été retirées du produit. Voir la section 4.7

4.11 Montage/installation sans accès à l'arrière du produit

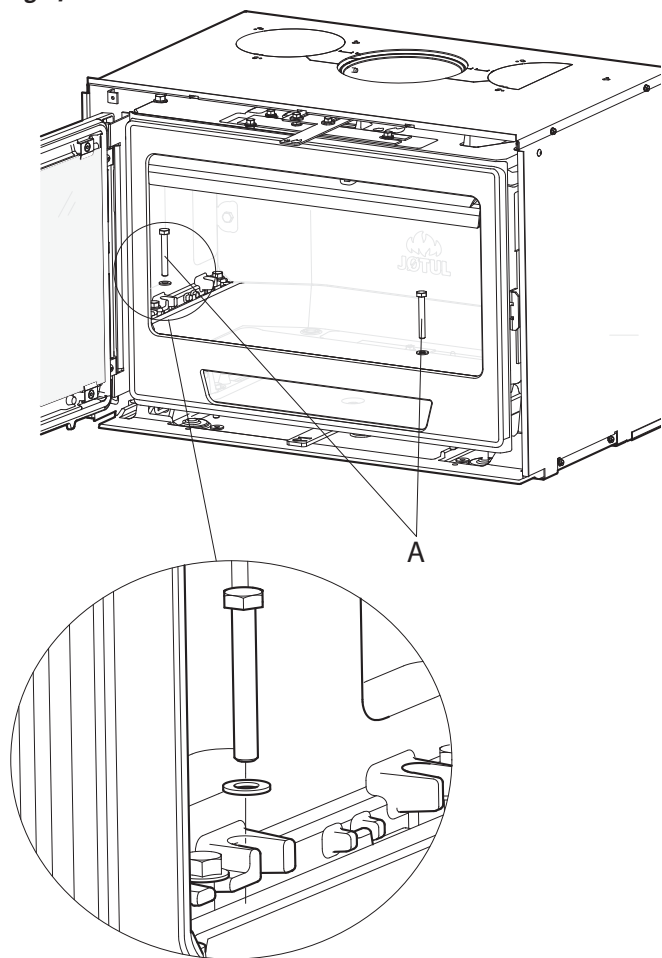
Le Jøtul C 24 peut être installé sans accès à l'arrière du produit lorsqu'il est placé à l'intérieur d'un foyer ou d'un habillage. Cette méthode d'installation nécessite un adaptateur de conduit de fumée optionnel (Fig. 21 A)

Fig. 19



1. Retirez les plaques de doublage latérales, le déflecteur inférieur et le déflecteur supérieur comme indiqué dans le chapitre 6. Aucun outil n'est requis.

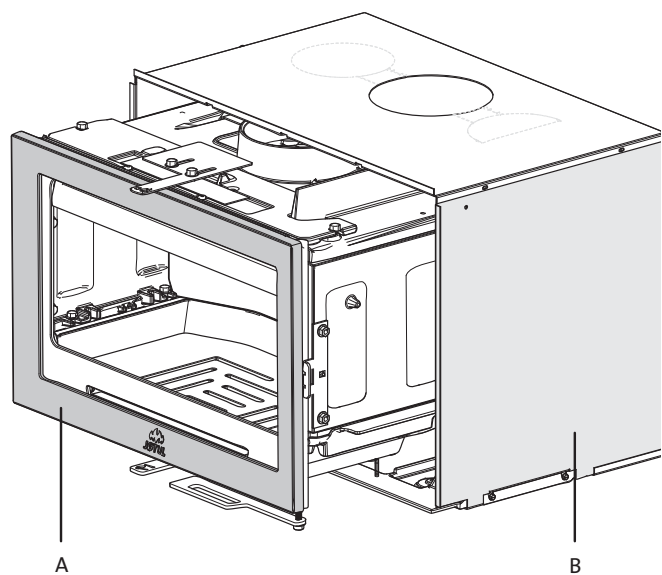
Fig. 17



Remarque : l'étape 2 est uniquement nécessaire si des conduites d'air chaud sont utilisées!

2. Retirez les deux vis et rondelles (Fig. 17 A).

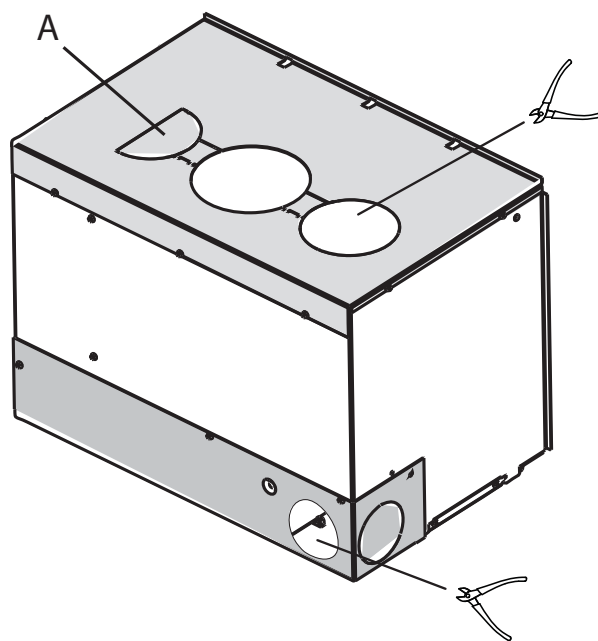
Fig. 18



Remarque : l'étape 3 est uniquement nécessaire si des conduites d'air chaud sont utilisées!

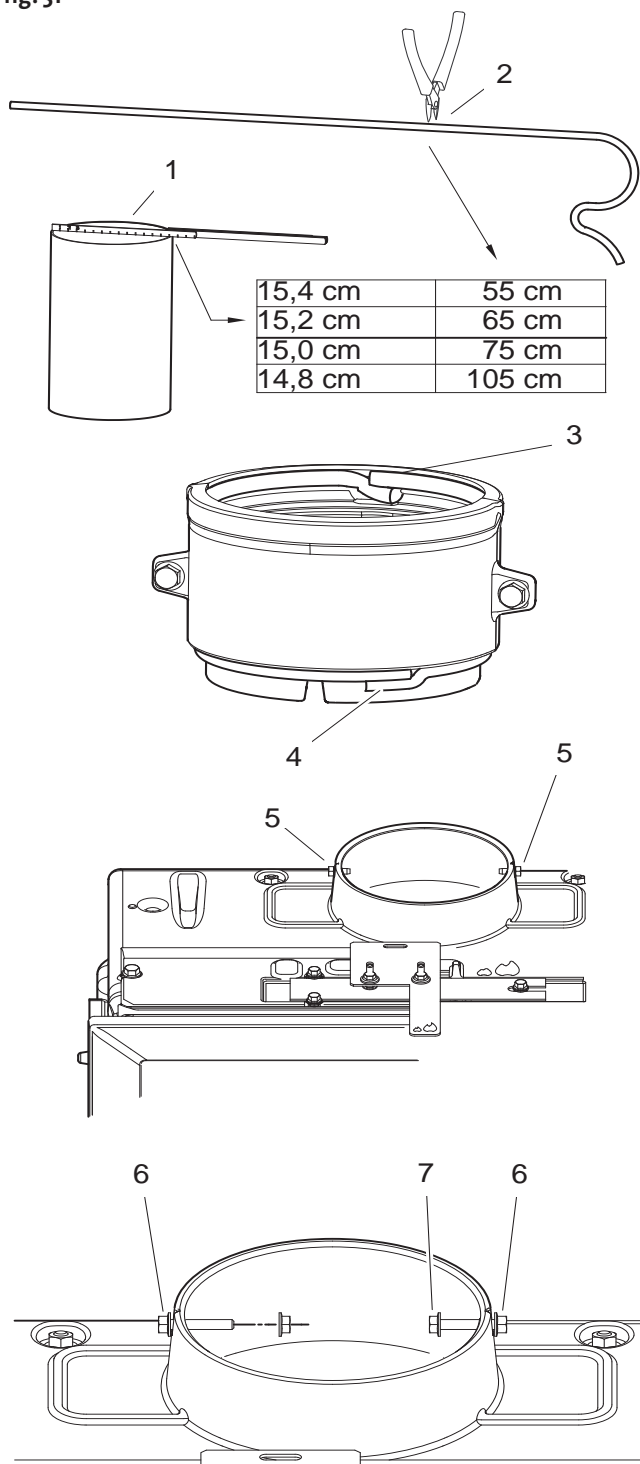
3. Fermez la porte et sortez le foyer (Fig. 18 A) de la chambre de convection (Fig. 18 B). Remarque : placez une protection sous la chambre de combustion pour éviter d'endommager le sol.
4. Installez le conduit de fumée (Fig. 19 A) dans la position correcte de façon à ce qu'il dépasse de la cassette de 4 cm. Voir la Fig. 1 pour les dimensions. Les supports (Fig. 19 B) doivent être solidement fixés au foyer ouvert de la cheminée. Utilisez les boulons à expansion fournis avec le kit d'adaptation (en option). Les trous dans l'habillage pour les boulons à expansion ont un diamètre de 6 mm. Les supports doivent être au moins 14 cm au-dessus de la cassette.
5. Les vis (Fig. 19 C) et les écrous qui maintiennent le conduit de fumée en place peuvent avoir un filetage léger afin que le conduit puisse être légèrement poussé dans les fentes des supports. Les adaptateurs peuvent alors être facilement placés au centre de la sortie de fumée sur la cassette.
6. Fixez le raccord (Fig. 19 D) fourni au conduit d'air chaud flexible à l'aide d'un collier de serrage (Fig. 19 E). Achevez l'installation dans l'habillage. Le raccord doit être à la même hauteur que le sommet de la cassette.
7. Choisissez la position la plus adéquate pour le raccord (Fig. 19 F) si vous installez une conduite d'air frais (voir Fig. 2). Percez des trous pour la conduite dans le foyer ou l'habillage (Fig. 19 G).
8. Assurez-vous que le clapet d'arrivée d'air (Fig. 27 A) est dans la bonne position (fermé).

Fig. 20



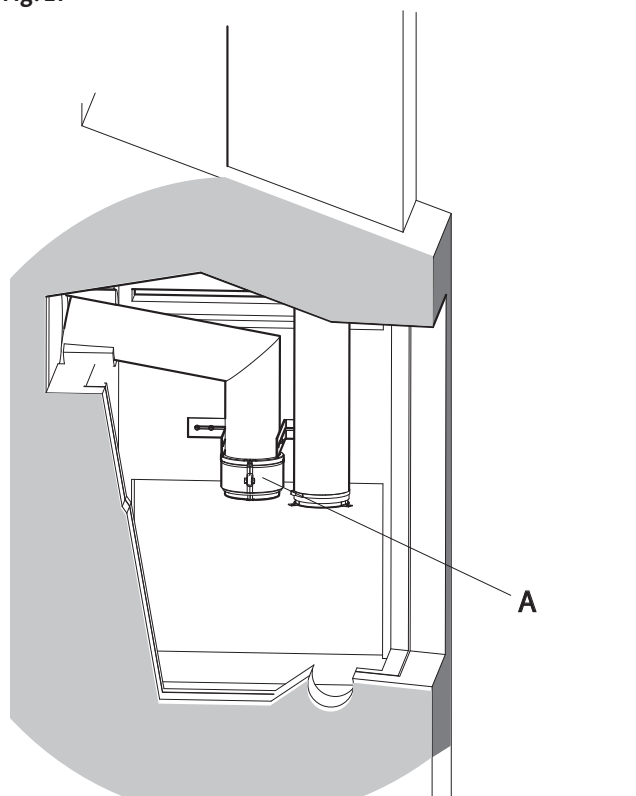
9. Découpez les ouvertures adéquates dans la chambre de convection. Le trou (Fig. 20 A) pour la distribution d'air chaud est en forme de croissant.
10. Montez le raccord d'air frais (Fig. 19 F) et fixez la conduite d'air frais flexible à l'aide d'un collier de serrage.

fig. 31



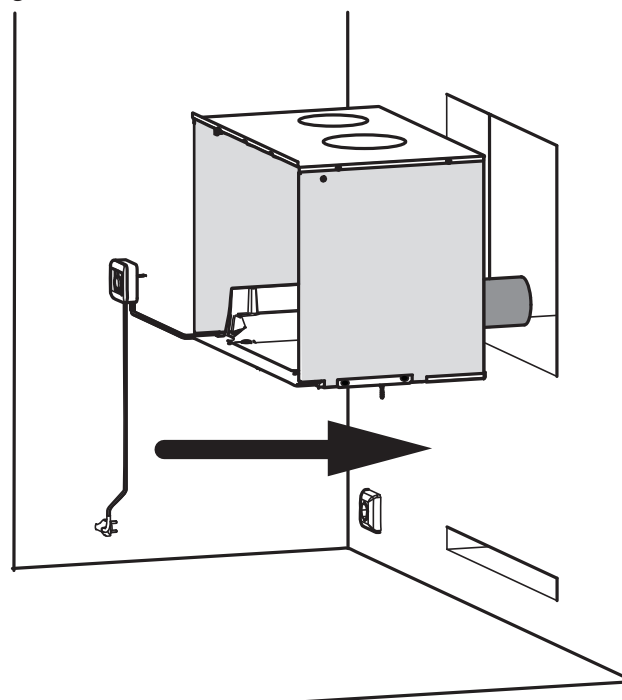
1. Mesurez le diamètre externe du conduit de fumée.
2. Découpez un morceau de joint dans le joint autoadhésif épais qui est fourni.
3. Appliquez le joint sur l'adaptateur. Commencez à l'étape 3 (Fig. 31).
4. Appliquez le joint fin comme illustré à l'étape 4 (Fig. 31).
5. Retirez les deux vis de la sortie de fumée sur le foyer (Fig. 31-5).
6. Vissez les deux vis de 35 mm (se trouvant dans le sachet) comme indiqué à l'étape 6 (Fig. 31).
7. Vissez les deux écrous les plus à l'extérieur sur les vis comme indiqué à l'étape 7 (Fig. 31).

Fig. 21



11. Montez l'adaptateur du conduit de fumée (Fig. 21 A). Fixez-le à l'aide d'un morceau de ruban adhésif pour l'empêcher de tomber. Le foyer/l'habillage est maintenant prêt à être placé à l'intérieur de la chambre de convection. Si vous souhaitez installer un ventilateur, cela doit être fait dès à présent. Un mode d'emploi séparé est fourni avec le ventilateur.

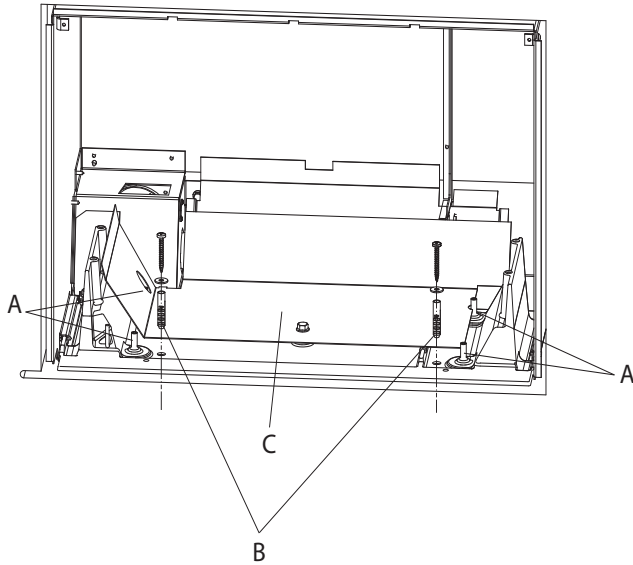
Fig. 22



12. Placez la chambre de convection. Si aucune conduite d'air chaud n'est installée, le produit entier peut être placé.

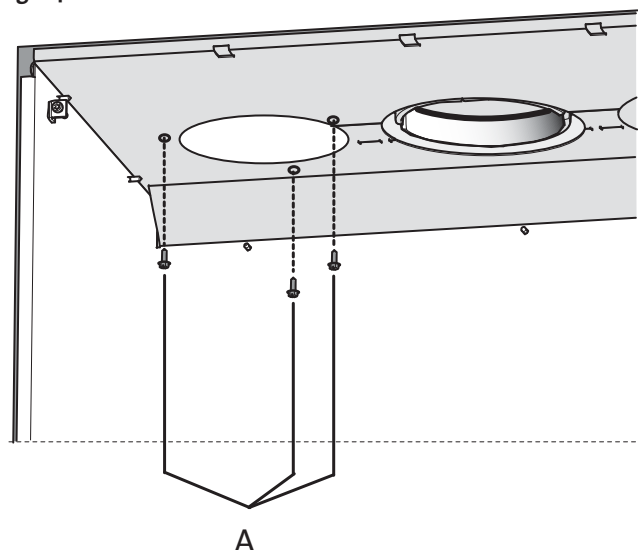
FRANCAIS

Fig. 23



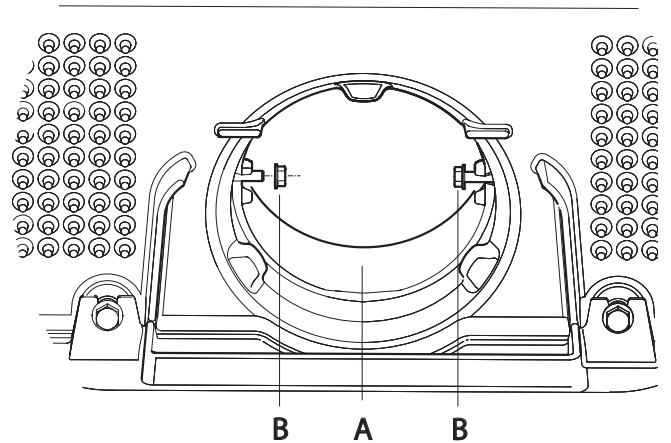
13. Voir les Fig. 10 et 11 si le produit entier est installé dans le foyer/l'habillage.
14. Réglez les quatre vis des pieds (**Fig. 23 A**) à l'aide de la clé six pans de 4 mm qui se trouve dans le sachet de vis jusqu'à ce que le produit soit à niveau.
15. Essayez de voir si le cadre (**Fig. 12**) s'adapte bien et vérifiez que l'adaptateur du conduit de fumée est aligné avec le trou central de la chambre de convection.
16. Percez deux trous d'écoulement de 10 mm de diamètre (**Fig. 23 B**) dans le foyer et fixez la chambre de convection avec les vis et rondelles du sachet de vis.
17. Si ces vis ne serrent pas assez, deux autres possibilités de fixation se trouvent sous le bouclier thermique (**Fig. 23 C**).

Fig. 24



18. Fixez chaque conduite d'air chaud à la chambre de convection à l'aide de trois vis auto-taraudeuses (**Fig. 24 A**) qui se trouvent dans le sachet de vis.
19. Placez le foyer (**Fig. 18 A**) à l'intérieur de la chambre de convection et fixez-le à l'aide des vis (**Fig. 17 A**).

Fig. 25

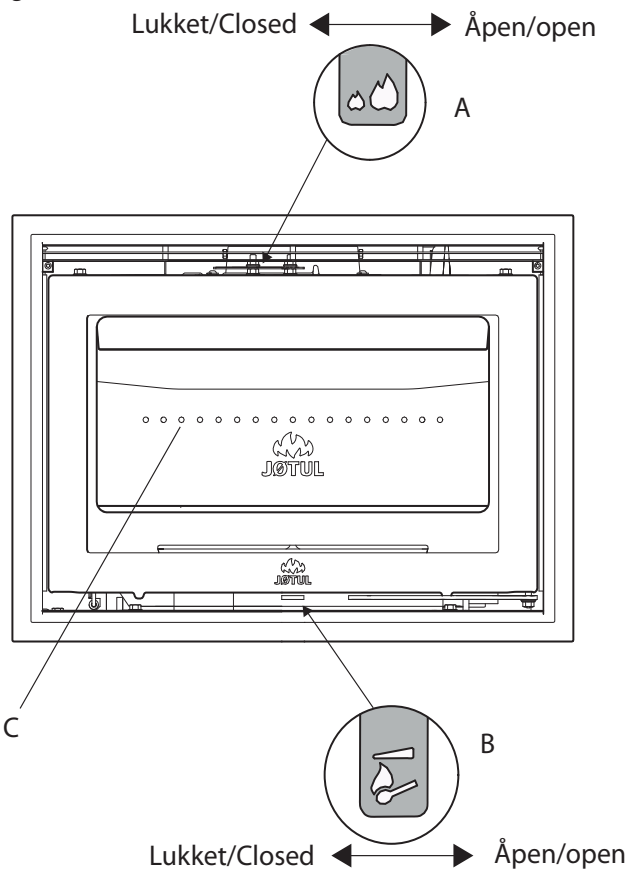


20. Tirez l'adaptateur (**Fig. 25 A**) vers le bas fermement et serrez les écrous (**Fig. 25 B**) tour à tour pour vous assurer que l'adaptateur est à niveau Placez le cadre (**Fig. 12**).
21. Remettez toutes les pièces qui ont été retirées du produit.

4.12 Test de fonctionnement

Inspectez toujours les poignées de commande une fois l'appareil monté. Les éléments mobiles doivent fonctionner librement.

Fig. 26



Le poêle Jøtul C 24 comporte les commandes suivantes :

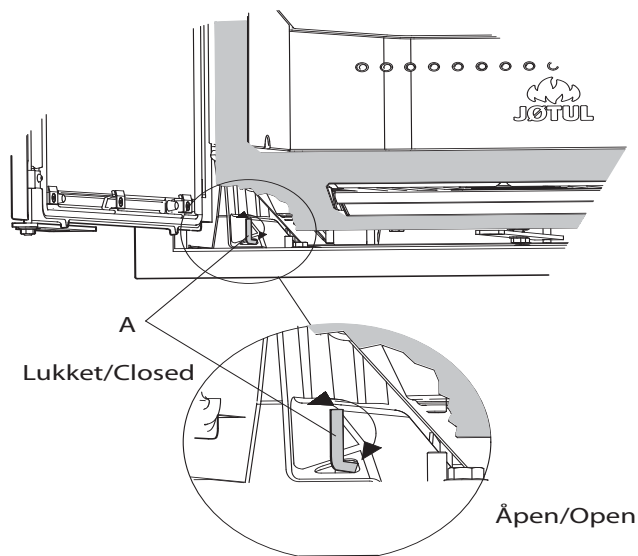
Registre d'air frais (Fig. 26 A)

Position gauche fermé
Position droite entièrement ouvert

Ignition vent (Fig. 26B)

Left position closed
Right position fully open

Fig. 27



- Le clapet d'arrivée d'air (Fig. 27 A) se trouve derrière la façade avant. Si une conduite d'air frais (section 4.4) est installée, le clapet doit être en position fermée. Tournez-le vers la gauche.
- S'il n'y a pas de conduite d'air frais, le clapet doit être en position ouverte. Tournez-le vers la droite.

Remarque : ce clapet doit uniquement être ajusté au moment de l'installation du produit.

Allumage du feu

- Ouvrez les registres d'air frais et d'allumage en tournant les clapets vers la droite (utilisez un gant ou autre protection pour éviter de vous brûler si les clapets sont chauds).
- Disposez deux bûches au fond du foyer et empilez le bois d'allumage en strates successives.
- Pour finir, placez une bûche de taille moyenne au sommet de la pile de bois.
- Placez deux ou trois briquettes sous la plus haute strate de bois d'allumage puis allumez le feu.

Remplissage de bois

- Fermez le registre d'allumage (Fig. 26 B) une fois que le feu a bien pris.
- Vous pouvez régler la vitesse de combustion pour obtenir le degré de chauffage souhaité en ajustant le registre d'air frais (Fig. 26 A).
- Vérifiez que la post-combustion (combustion secondaire) démarre. On le voit aux flammes jaunes, dansantes, devant les trous sous le déflecteur inférieur (Fig. 26 C).
- Si le flux d'air est normal, le feu continuera à brûler de lui-même.

Important ! Un apport d'air insuffisant peut conduire à une mauvaise combustion, à des émissions élevées et à un faible niveau d'efficacité

FRANCAIS

Ajout de bois

- Alimentez le poêle régulièrement mais n'ajoutez que de petites quantités de combustible à la fois.
- Si la combustion est trop vive, la contrainte thermique dans la cheminée risque de devenir excessive.
- Faites preuve de modération.
- Évitez les feux couvants car ce sont les plus polluants.
- Le feu est parfait lorsque le bois brûle bien et que la fumée qui sort de la cheminée est pratiquement invisible.

4.13 Risque de surchauffe

Évitez toute utilisation du foyer pouvant entraîner une surchauffe.

La surchauffe est provoquée par un excès de combustible et/ou d'air qui donne lieu à un dégagement de chaleur trop important. Lorsque le poêle devient incandescent par endroits, c'est un signe incontestable de surchauffe. Si le cas se produit, réduisez immédiatement l'apport d'air primaire.

Contactez un spécialiste si vous pensez que la cheminée tire mal (tirage excessif ou insuffisant). (Voir « 4.7 Installation » (Cheminée et conduit de fumée) pour plus d'informations).

5.0 Utilisation quotidienne

Risque de mauvaises odeurs lors de la première utilisation du poêle!

Lors de la première utilisation, le foyer peut émettre un gaz irritant et dégager des odeurs désagréables. Ceci se produit lorsque la peinture extérieure sèche. Ce gaz n'est pas toxique, mais ouvrez toutefois une fenêtre afin de bien aérer la pièce. Maintenez un tirage élevé dans le foyer jusqu'à ce qu'aucun gaz, fumée ou odeur ne puisse être détecté.

Gardez la porte fermée pendant l'utilisation (le produit n'est pas approuvé pour une utilisation avec la porte ouverte).

S'il vous plaît noter! Certaines parties du poêle à bois, en particulier les extérieurs surfaces, deviennent chaudes pendant l'utilisation. S'il vous plaît faire preuve de diligence!

5.1 Fonctionnement

Conseils de chauffage

Remarque : il est recommandé d'entrer les bûches qui ont été stockées à l'extérieur ou dans une pièce froide 24 heures avant de les brûler afin de les amener à température ambiante.

Il existe différentes manières de chauffer le poêle, mais soyez toujours attentif à ce que vous y mettez. Voir la section intitulée « Qualité du bois ».

Qualité du bois

Les bûches doivent sécher afin que leur teneur en eau ne dépasse pas 20 %.

Pour cela, il convient de couper le bois au plus tard à la fin de l'hiver. Il doit être coupé, fendu et empilé de manière à permettre une bonne circulation de l'air. Recouvrez les piles de bois afin de protéger les bûches de la pluie. Entrez les bûches dans la maison au début de l'automne en vue de leur utilisation pendant l'hiver qui suit

Soyez particulièrement attentif à ne jamais brûler les matériaux suivants dans le poêle:

- Les déchets ménagers, les sacs en plastique, etc.
- Le bois peint ou imprégné (très toxique).
- Le bois contreplaqué.
- Le bois flottant.

Ceux-ci risquent d'endommager l'appareil et ce sont aussi des polluants.

Remarque : n'employez jamais de l'essence, de la paraffine, de l'alcool (méthyllique) ou tout liquide similaire pour allumer le feu. Vous risqueriez de vous blesser sérieusement et d'endommager l'appareil.

Consommation de bois

Consommation de bois à la puissance nominale : environ 2,3 kg/h. La dimension des bûches devrait être de:

Bois d'allumage (bois fendu menu):

Longueur : 20 à 30 cm

Diamètre : 2 à 5 cm

Quantité de bois d'allumage : 6 à 8 morceaux.

Bois (bois fendu):

Longueur recommandée : 30 à 50 cm

Diamètre : environ 8 cm

Fréquence de remplissage : environ toutes les 45 minutes

Taille du feu : 1,7 kg (puissance nominale)

Quantité nécessaire à chaque ajout : 2.

La puissance de chauffage nominale est atteinte lorsque le registre d'air frais est à environ 50 % ouvert.

5.2 Décendrage

Attendez que le poêle soit froid pour retirer les cendres.

5.3 Utiliser votre poêle au printemps ou à l'automne

Dans la période de transition (printemps / automne), où il est moins nécessaire pour le chauffage, nous vous recommandons de faire un seul "top down" éclairage, peut-être avec une attiser afin de s'assurer que le revêtement de la chambre de combustion brûle à nouveau propres.

5.4 Utilisation sous différentes conditions météorologiques

L'effet du vent sur la cheminée peut, selon sa violence, influencer beaucoup sur le fonctionnement du poêle et nécessiter une régulation de l'arrivée d'air pour obtenir une bonne combustion. Il peut également être judicieux de monter un clapet sur le tuyau de manière à pouvoir réguler ainsi le tirage de la cheminée en fonction des sollicitations changeantes du vent.

Le brouillard peut aussi avoir une grande influence sur le tirage de la cheminée nécessitant d'autres réglages de l'arrivée d'air frais pour assurer une bonne combustion.

5.5 Cheminée

Le conduit de cheminée est un élément essentiel au bon fonctionnement d'un chauffage à bois.

Le tirage de la cheminée génère une dépression dans le poêle. Cette dépression évacue la fumée hors du poêle et, à travers le registre d'air de combustion, aspire de l'air qui alimente le processus de combustion.

L'air de combustion vient aussi balayer la vitre et y empêche ainsi le dépôt de suie.

Le tirage de la cheminée est généré par la différence de température entre l'intérieur de la cheminée et l'extérieur de la maison. Plus cette différence de température est élevée, meilleur est le tirage de la cheminée. Il est donc important que la cheminée atteigne sa température de service rapidement avant que soient réduites l'entrée d'air et la combustion dans le poêle (une cheminée en maçonnerie met plus de temps pour atteindre sa température de service qu'une cheminée en acier isolé).

Les jours où les conditions météorologiques et le vent sont défavorables, il est donc particulièrement important que la température de service de la cheminée soit atteinte le plus vite possible. Les flammes doivent vite être attisées. Conseil pratique : Fendez des bûchettes de bois particulièrement fines ; utilisez des blocs d'allumage supplémentaires etc.

Remarque : Après un arrêt prolongé de l'utilisation du poêle, il importe de vérifier que le conduit de cheminée n'est pas plus ou moins bouché.

6.0 Entretien

Avertissement ! Toute modification non autorisée du produit est interdite. Utilisez uniquement des pièces de rechange d'origine.

6.1 Remplacement des plaques de doublage

Fig. 28

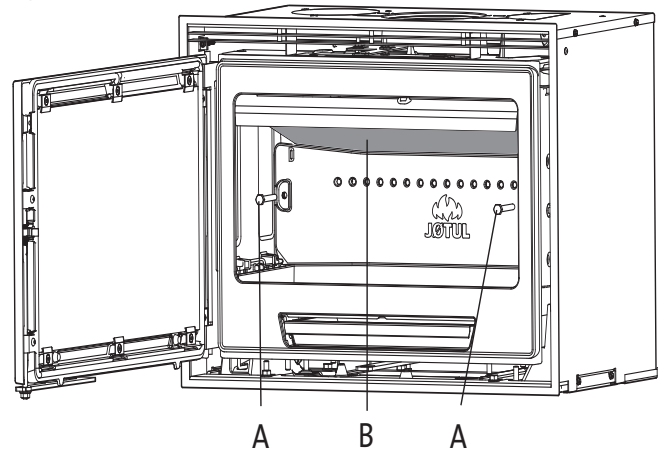
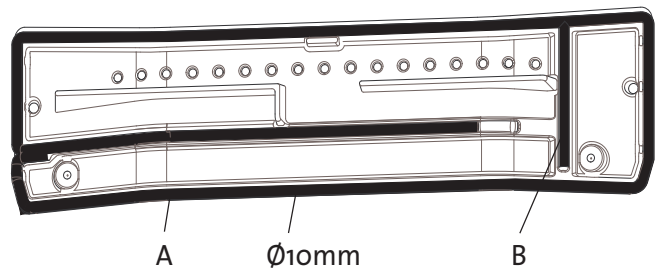


Fig. 29

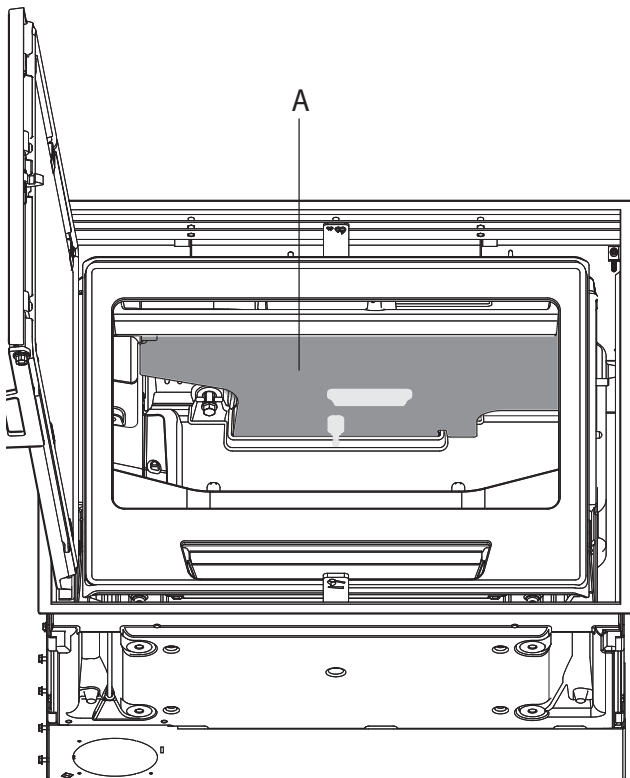


1. Retirez les plaques de doublage latérales en les soulevant légèrement et en les tirant par le bas (Fig. 3).
2. Dévissez les vis (Fig. 28 A) et retirez la plaque de doublage arrière. En même temps, maintenez le déflecteur inférieur (Fig. 28 B) en l'air afin qu'il ne tombe pas. Remarque : les joints (Fig. 29 A/B) sur la plaque de doublage arrière doivent être remplacés s'ils sont endommagés.
3. Pour la remise en place, suivez la même procédure dans l'ordre inverse

6.2 Remplacement du déflecteur inférieur/déflecteur supérieur

1. Retirez d'abord les plaques de doublage latérales (Fig. 3). Il est inutile de retirer la plaque de doublage arrière. .
2. Tirez le déflecteur inférieur (Fig. 28 B) vers l'avant et vers le bas par le bord du devant. Tournez-le de façon à ce qu'il se trouve en biais derrière la face avant, et sortez-le.
3. Soulevez le bord arrière du déflecteur supérieur (Fig. 30 A), tirez-le vers l'arrière et vers le bas par le bord du devant.
4. Pour la remise en place, suivez la même procédure dans l'ordre inverse.

Fig. 30



7.0 Maintenance

7.1 Nettoyage et élimination de la suie

Pendant l'utilisation, de la suie peut se déposer sur les surfaces internes du foyer. La suie est un bon isolant. Elle réduit donc le rendement thermique du foyer. Utilisez une brosse métallique pour retirer tout dépôt de suie dans le produit.

Laissez régulièrement brûler vivement le feu afin d'éviter tout dépôt de goudron et d'eau dans le foyer. Nettoyez l'intérieur du produit une fois par an pour assurer le meilleur rendement thermique. Cette opération peut être réalisée lors du ramonage des conduits et de la cheminée.

7.2 Ramonage des conduits d'évacuation vers la cheminée

Le ramonage des conduits doit s'effectuer à partir de la trappe de ramonage ou depuis l'intérieur du produit. Les plaques de doublage latérales, le déflecteur inférieur et le déflecteur supérieur doivent d'abord être retirés (voir la section 6.2).

7.3 Inspection du poêle

Jøtul recommande que l'utilisateur contrôle personnellement et soigneusement le poêle suite à une opération de ramonage/nettoyage. Vérifiez l'absence de fissures sur toutes les surfaces visibles. Vérifiez également l'état et la bonne installation de tous les joints. Tout joint montrant des signes d'usure, de déformation ou de dureté doit être remplacé.

Nettoyez soigneusement les gorges de joint, appliquez de la colle céramique (disponible auprès des distributeurs Jøtul), puis insérez correctement le joint sans tirer dessus. Le joint sèche rapidement.

7.4 Entretien de la surface externe

Les produits peints peuvent changer de nuance après plusieurs années d'utilisation. Avant d'appliquer une nouvelle couche de peinture, brossez et lavez la surface peinte pour en éliminer toutes les particules détachées.

8.0 Équipements disponibles en option

Cadre large

(n° de cat. 50044778)

Ventilateur

(n° de cat. 50044779)

Kit d'amenée d'air frais Ø 100 mm

(n° de cat. 51012164)

Adaptateur pour conduit de fumée

(n° de cat. 51044856)

9.0 Recyclage

9.1 Recyclage de l'emballage

Votre appareil est livré avec les emballages suivants :

- Une palette en bois qui peut être sciée et brûlée dans le poêle (c'est un excellent bois d'allumage).
- Des emballages en carton qui doivent être déposés dans une station de recyclage près de chez vous.
- Des sacs en plastique qui doivent être déposés dans une station de recyclage près de chez vous.

9.2 Recyclage du poêle

Le poêle est composé :

- d'éléments métalliques qui doivent être déposés dans une station de recyclage près de chez vous.
- de verre qui doit être éliminé comme des déchets dangereux. Le verre dans le poêle ne doit pas être placé dans un conteneur de séparation à la source standard.
- de panneaux en vermiculite qui peuvent être déposés dans des conteneurs de déchets classiques.

10.0 Conditions de garantie

Applicables à partir du 1^{er} Septembre 2016 à tout produit Jøtul acheté auprès du réseau de revendeurs agréés Jøtul.

Félicitations pour votre achat d'un appareil Jøtul !

Depuis 1853, Jøtul est un fabricant renommé de foyers, cheminées et inserts durables et d'excellente qualité. La grande qualité de nos produits nous permet d'offrir à nos clients une garantie longue durée, et ce, sans frais supplémentaires.

Notre garantie couvre :

En plus de la garantie légale en vigueur, Jøtul France offre une garantie commerciale étendue à :

- 25 ans à compter de l'achat de l'appareil sur toutes les pièces en fonte des appareils à bûches, si vous enregistrez votre appareil sur le site www.jotul.com/fr dans les 3 mois suivant votre achat. Nous vous conseillons d'imprimer et de conserver votre justificatif d'enregistrement de garantie avec votre preuve d'achat. A défaut d'enregistrement, la garantie commerciale sera de 5 ans à compter de l'achat de l'appareil sur ces mêmes pièces.
- 5 ans sur les pièces en acier des appareils à bûches.

La garantie s'applique uniquement si l'appareil a été installé par un revendeur agréé du réseau Jøtul, conformément à la réglementation en vigueur et aux instructions d'installation et d'utilisation décrites dans le manuel de l'appareil.

Les appareils réparés ou les appareils de remplacement, ne donnent en aucun cas droit à une prolongation de garantie. Ils sont donc garantis pour la durée restante de la garantie initiale.

Notre garantie commerciale ne couvre pas :

- Les pièces d'usure, telles que les composants de la chambre de combustion (déflecteurs, joints, plaques de doublage, etc.), car ces pièces s'usent avec le temps lors d'une utilisation normale,
- Les vitres, la peinture, l'émail, les pierres naturelles, les éléments en béton et tous les revêtements décoratifs,
- Les dommages liés à une mauvaise utilisation : combustible inapproprié ou de mauvaise qualité, surchauffe, défaut d'entretien, non respect des instructions d'utilisation décrites dans le manuel de l'appareil, etc,
- Les dommages liés au transport ou à une mauvaise installation de l'appareil,
- Les cas impliquant des modifications de l'appareil sans le consentement de Jøtul ou l'utilisation de pièces qui ne sont pas d'origine,
- Les frais annexes (frais de port, déplacement, main d'œuvre, etc...), ni les dommages indirects.

La demande de garantie doit être effectuée auprès de votre revendeur agréé du réseau Jøtul, dans les 14 jours suivant la survenance du défaut. Voir liste de nos revendeurs sur notre site internet. Elle doit être accompagnée de votre preuve d'achat de l'appareil (facture) et de votre justificatif d'enregistrement de garantie.

Si Jøtul se trouve dans l'incapacité d'assumer la prise en charge sous garantie de votre appareil, Jøtul remplacera gratuitement votre produit par un appareil de puissance similaire.

Cette garantie est exclusive de toute autre garantie et prévaut sur toute autre garantie accordée par toute autre société du groupe Jøtul.

Utført	Kontrollpunkt	Controlled item
✓	Alle deler er med i produktet (ifølge struktur).	All parts are included.
✓	Alle festemidler er av korrekt type, og er korrekt anvendt.	Correct fastener items have been used and correctly applied.
✓	Overflater er i samsvar med Jøtul kvalitetsstandarder.	Surfaces comply with Jøtul workmanship standards.
✓	Lukkemekanismer fungerer som de skal, og uten behov for unødig stor kraft.	Door locking mechanisms function correctly; excessive force is not needed.
✓	Produktet/serien møter kravet for lekkasjetest.	The product/lot complies with the leakage test requirement.
✓	Lakkerte/emaljerte overflater møter kravene i Jøtuls kvalitetsstandarder.	Paint/enamel surface finish complies with Jøtul workmanship standards.
✓	Produktet er fritt for utvendig kitt- eller limklin.	Surfaces are not contaminated by external stove cement or glue.
✓	Produktet har ingen sprekker i glass, støpejern eller andre deler.	There are no cracks in glass, cast iron or other parts.
✓	Pakninger er riktig lagt, og skjemmer ikke produktet ved stygge ender eller ved at pakningen er unødig synlig.	Gaskets are correctly applied and do not degrade product appearance (i.e. loose ends or excessive visible exposure).
✓	Dørpakninger er godt limt.	Door gaskets are firmly glued/fixed to the door.
✓	Dørpakninger har tilfredsstillende pakningstrykk.	Door gaskets provide satisfactory sealing.
✓	Sjekk at det ikke "lyser gjennom" i dørpakning eller andre sammenføyninger.	Check for "light through" at door seals and other relevant locations.
✓	Trekkehendler osv fungerer normalt.	The function of air valve handle etc is normal.

Jøtul bekrefter herved at dette produktet er kontrollert og funnet å være i samsvar med våre kvalitetsnormer.	Jøtul hereby confirm that this product has been QC inspected and found to comply with our quality standards.
Lot. No. / Serie nr. - Checked by / kontrollert av	

Cat.no. 10046393-P04
Jøtul AS, Dec. 2017

Jøtul arbeider kontinuerlig for om mulig å forbedre sine produkter, og vi forbeholder oss retten til å endre spesifikasjoner, farger og utstyr uten nærmere kunngjøring.

Jøtul bemüht sich ständig um die Verbesserung seiner Produkte, deshalb können Spezifikationen, Farben und Zubehör von den Abbildungen und den Beschreibungen in der Broschüre abweichen.

Jøtul pursue a policy of constant product development. Products supplied may therefore differ in specification, colour and type of accessories from those illustrated and described in the brochure.

Jøtul vise sans cesse à améliorer ses produits. C'est pourquoi, il se réserve le droit de modifier les spécifications, couleurs et équipements sans avis préalable.

Kvalitet

Jøtul AS arbeider etter et kvalitetssikringssystem basert på NS-EN ISO 9001 for utvikling, produksjon og salg av ildsteder. Vår kvalitetspolitikk skal gi kundene den trygghet og kvalitetsopplevelse som Jøtul har stått for siden bedriftens historie startet i 1853.

Qualität

Jøtul AS hat ein Qualitätssicherungssystem, das sich bei Entwicklung, Produktion und Verkauf von Öfen und Kaminen nach NS-EN ISO 9001 richtet. Diese Qualitätspolitik vermittelt unseren Kunden ein Gefühl von Sicherheit und Qualität, für das Jøtul mit seiner langjährigen Erfahrung seit der Firmengründung im Jahre 1853 steht.

Quality

Jøtul AS has a quality system that conforms to NS-EN ISO 9001 for product development, manufacturing, and distribution of stoves and fireplaces. This policy gives our customers quality and safety piece of mind as a result of Jøtul's vast experience dating back to when the company first started in 1853.

Qualité

Le système de contrôle de la qualité de Jøtul AS est conforme à la norme NS-EN ISO 9001 relative à la conception, à la fabrication et à la distribution de poêles, foyers et inserts. Cette politique nous permet d'offrir à nos clients une qualité et une sécurité reposant sur la vaste expérience accumulée par Jøtul depuis sa création en 1853.



Jøtul AS,
P.o. box 1411
N-1602 Fredrikstad,
Norway
www.jotul.com